

MAC<sup>®</sup>  
MAC

V A L V E S

NEW

Technology





Page

|              |  |     |
|--------------|--|-----|
| Introduction |  | 3   |
| Section 1    | Direct solenoid and solenoid pilot operated valves | 9   |
| Section 2    | Remote air valves                                  | 197 |
| Section 3    | Bases according to ISO 5599                        | 223 |
| Section 4    | Pressure regulators                                | 243 |
| Section 5    | Intrinsically safe valves                          | 299 |
| Section 6    | Options  | 307 |
| Section 7    | Supplemental technical information                 | 321 |

MAC VALVES INC. has earned a reputation as an innovator in solenoid air valve technology as is evidenced by our numerous global patents.

MAC's designs focus on offering customers the best performing products available on the market. Some of the key features MAC's products offer are:

- |                       |                                      |
|-----------------------|--------------------------------------|
| - reliability         | - compact packaging                  |
| - speed               | - modularity                         |
| - repeatability       | - specific application modifications |
| - non lube service    | - low wattage                        |
| - ease of maintenance | - broad electrical options           |

Many of these performance advantages are based on MAC's high shifting forces. MAC's patented oval shaped armature solenoid and 4-way pilot technologies are two new concepts which result in extremely high shifting forces in small packages.

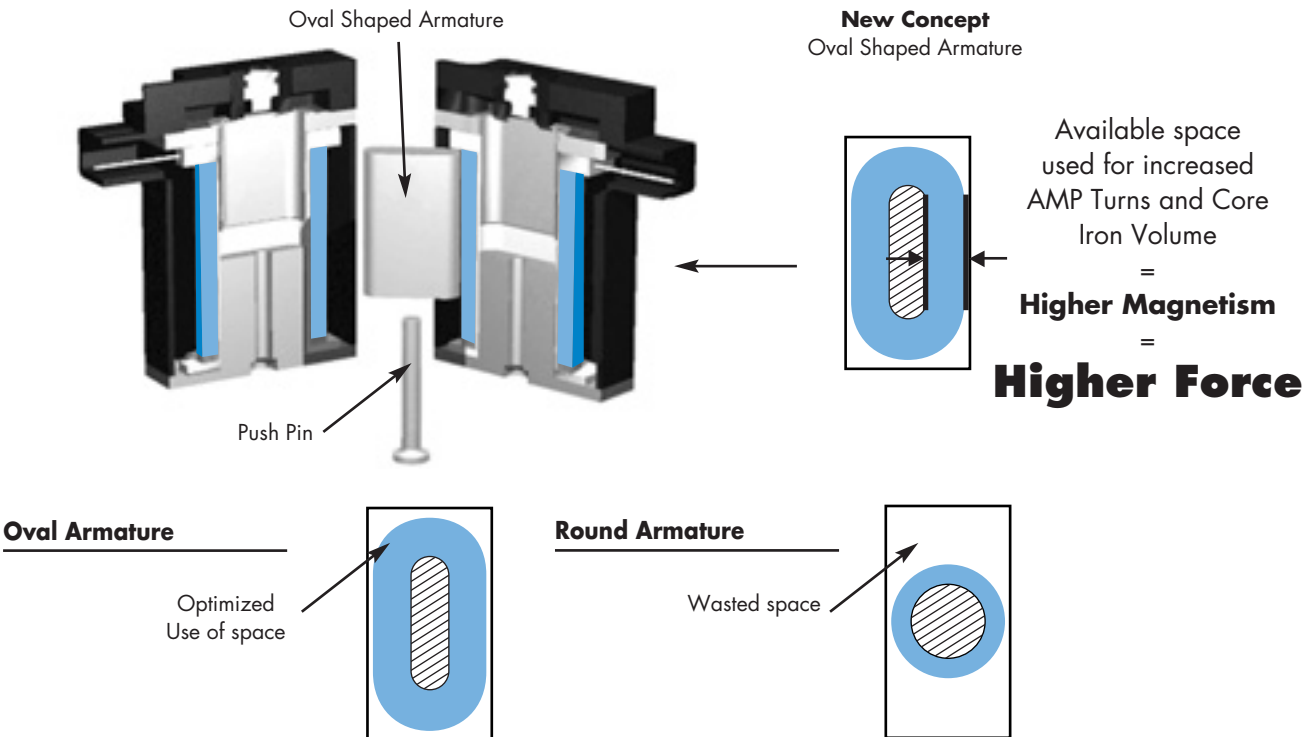
The patented Latching Solenoid is another new offering to the MAC product line. The latching solenoid provides the function of a double solenoid operated valve utilizing only one solenoid.

## I. OVAL SHAPED ARMATURE SOLENOID – Maximized Shifting Forces

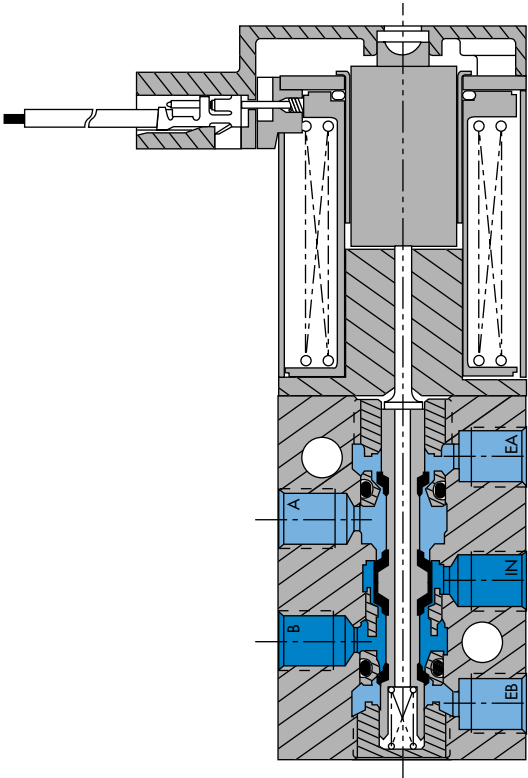
Compared with typical round armature solenoids, the oval shaped armature design results in much higher shifting forces due to the following:

- Increased coil windings (amp turns)
- Increased core iron volume

With more amp turns and core iron than conventional round armature designs, more shifting force is available to shift through contaminated air resulting in reliable shifting valves.



## DIRECT SOLENOID POPPET VALVE

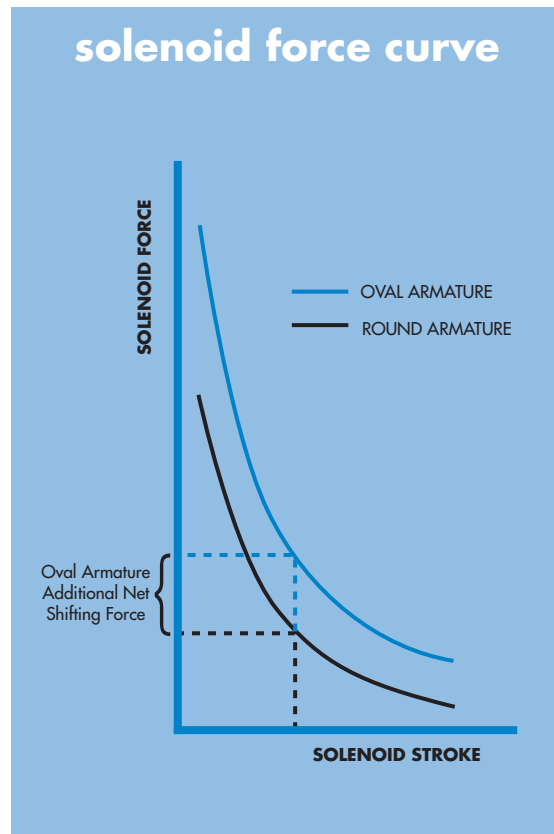


## SHORT STROKE

- Short Stroke = High solenoid force
- Short Stroke = High return spring force
- Short Stroke = Low current to shift solenoid

## DIRECT OPERATED 10 MM DESIGN WITH OVAL SHAPED ARMATURE

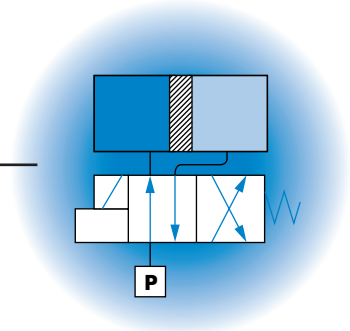
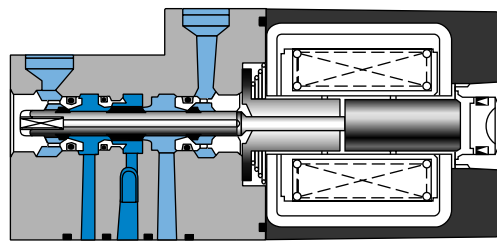
- Balanced poppet, with no seals of any kind in a bore - **no friction**
- New patented MAC solenoid® with "oval" shaped armature - provides **high shifting force** through more core iron and magnet wire
- Balanced poppet - **high shifting forces** - unaffected by fluctuations in air pressure
- Short stroke direct operated poppet valve (patented adjustable inlet seat controls stroke) - **high shifting force** - without small piston and no minimum operating pressure
- Large orifice "0.0024 in<sup>2</sup>" minimum - **resists clogging**
- Strong return spring - **high shifting force** - even at low pressure
- Few parts - **simple design**
- Patented conical shaped exhaust seats act as cushions - **eliminates cutting - long life**
- Every valve calibrated for flow for a given coil wattage - **consistent flow**



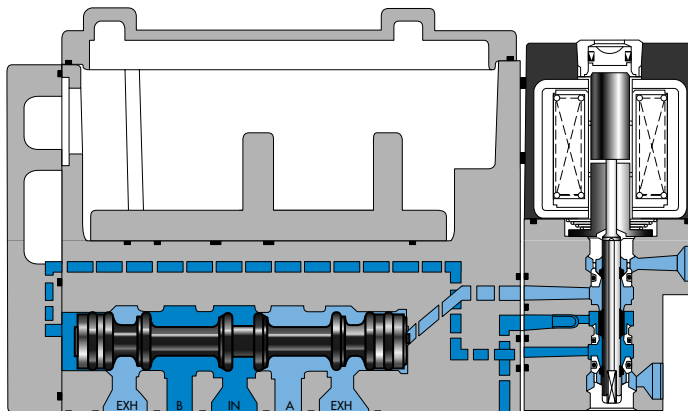
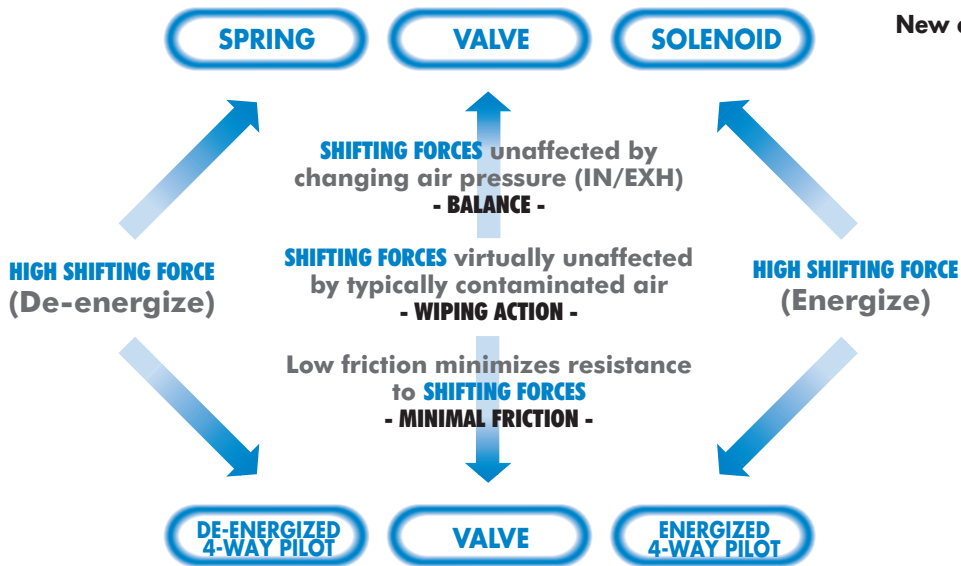
## II. MAC's 4-WAY PILOT SYSTEM – Maximized Shifting Forces

The balanced 4-way pilot valve provides maximum shifting forces in both directions by supplying air alternately to each end section of the spool, similar to double acting rodless cylinder. This system provides maximized shifting forces, equal forces at energization and de-energization, with no resistance to shifting at either end. The result is increased shifting reliability and faster, more consistent response times.

Small direct 4-way solenoid operated valve



New concept : 4-way pilot



Solenoid pilot operated large valve

*Valves that don't stick*



ACT LOCAL

## MAC DISTRIBUTORS NETWORK

- 30 years experience
- Local support
- Globally linked network
- Special solutions
- Global customer partnership



○ **45 countries**

○ **3500 employees**

○ **200 service centers**

○ **\$ 50 million inventory**

○ **1000 factory certified application specialists**

KEEPING YOUR MACHINES RUNNING AROUND THE CLOCK AROUND THE WORLD

Let us show you via high performance demonstration kits and animated software,  
**HOW MAC'S PERFORMANCE ADVANTAGES HELP MAKE YOUR EQUIPMENT MORE RELIABLE - FASTER - MORE REPEATABLE.**



**TLD**

Traveling Lab Demonstration measures critical valve performance characteristics - *Shifting forces, Response Time, Speed, Repeatability and Flow.*



**PLD**

Proportional Lab Demonstration measures critical proportional regulation characteristics - *Response Time, Accuracy, Hysteresis, Repeatability and Flow.*



**Animation**

Animated Software shows inner workings of various Air Valves Designs - *Powerful educational tool for learning about how air valves function.*

**Other MAC VALVE literature:**

| DESCRIPTION                | CATALOG NUMBER  |
|----------------------------|-----------------|
| CURRENT TECHNOLOGY         | 999CTCB         |
| BUILDING BLOCKS BROCHURE   | 999ADVB         |
| CIRCUIT BAR CATALOG        | 999CBCA         |
| PROPORTIONAL VALVE CATALOG | 999PPCB         |
| CATALOG CD                 | 999CCDB         |
| SERIAL INTERFACE PRODUCTS  | 9999SI          |
| MACONNECT SYSTEM           | CONSULT FACTORY |



999CTCB



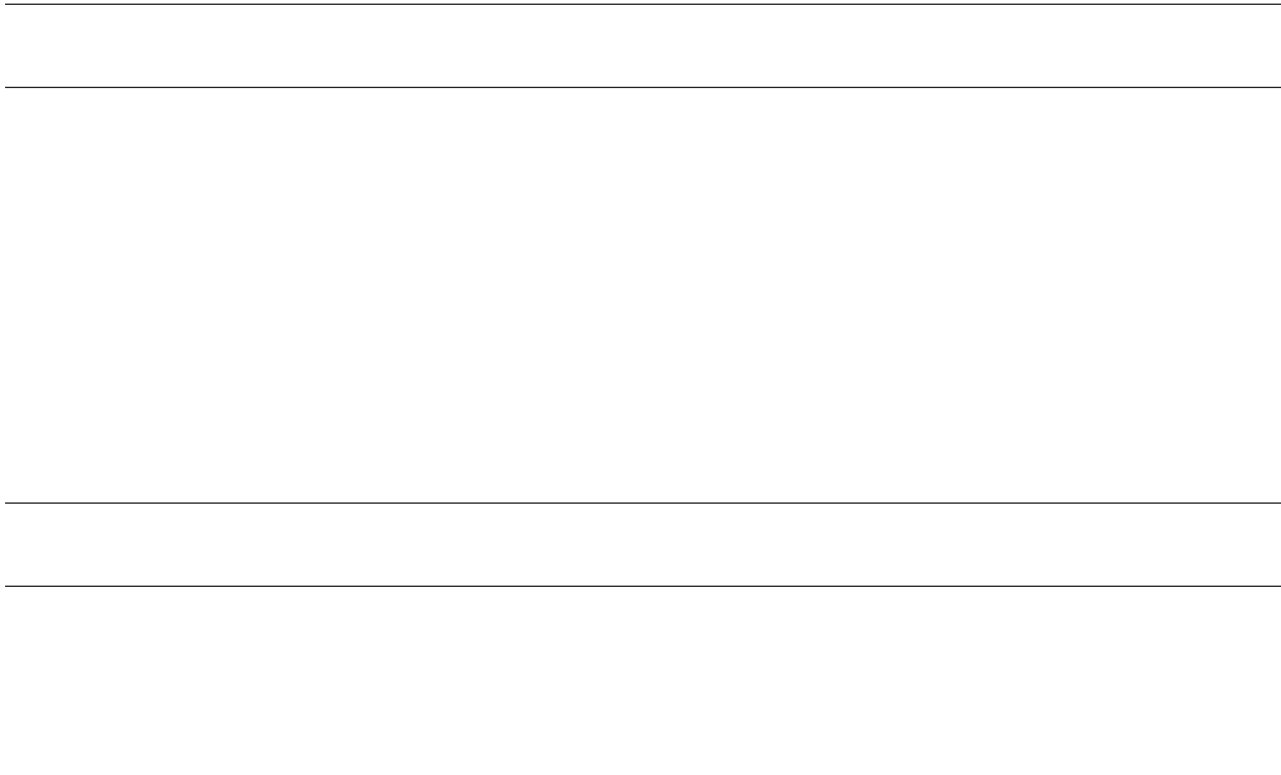
999ADVB



999CBCA



999PPCB



**Pneumatic functions**

All valves inside the MAC product range allow for multiple pneumatic functions. Direct solenoid and solenoid pilot operated valves could be used as 2 ways, 3 ways (NO, NC) or 4 ways. When plugging one orifice to achieve a 2 way function (or 3 way), it will not affect the valve operation.

- Direct solenoid valves 3 ways : universal  
The following functions are available

- 3 ways NC
- 3 ways NO
- 2 ways NC
- 2 ways NO
- Selector
- Divertor

- Direct solenoid valves 4 ways :  
The following functions are available

- 4 ways
- 3 ways NC
- 3 ways NO
- 2 ways NC
- 2 ways NO
- Divertor

- Pilot operated valves 3 ways :  
The following functions are available

- 3 ways NC
- 3 ways NO
- 2 ways NC
- 2 ways NO
- Selector : the highest pressure is connected to the IN port; the lowest pressure is connected to the EXH port. (Use external pilot when the highest pressure is less than 25 PSI)
- Divertor (consult factory)

- Pilot operated valves 4 & 5 ways :  
The following functions are available

- 4 or 5 ways
- 3 ways NC
- 3 ways NO
- 2 ways NC
- 2 ways NO
- Selector (except 3 positions)
- Divertor (consult factory).

**EVERY VALVE FULLY TESTED PRIOR TO SHIPMENT**





## Section 1

# Direct solenoid and solenoid pilot operated valves



| Function         | Port size   | Flow (Max) Cv | Individual mounting |                        |                    |   |   |  |  |   |
|------------------|---|---------------|---------------------|------------------------|--------------------|---|---|--|--|---|
|                  |   |               | Inline              | Sub-base non "plug-in" | Sub-base "plug-in" | Sub-base/manifold base non "plug-in" with latching solenoid | Sub-base/manifold base "plug-in" with latching solenoid | Valve only - No base non "plug-in" Conform to ISO 5599/1 | Valve only - No base "plug-in" Conform to ISO 5599/2 | Valve only - No base non "plug-in" Conform to ISO 15407/1 |
| <b>3/2</b>       | <b>M3</b>   | <b>0.082</b>  | P. 15               |                        |                    |   |   |  |  |   |
| <b>3/2 - 2/2</b> | <b>M5 - #10-32</b>  | <b>0.12</b>   | P. 19               |                        |                    |   |   |  |  |   |
| <b>3/2</b>       | <b>1/8"</b>   | <b>0.3</b>    | P. 23               |                        |                    |   |   |  |  |   |
| <b>3/2</b>       | <b>1/8" - #10-32</b>  | <b>0.3</b>    |                     |                        |                    |   |   |  |  |   |
| <b>3/2</b>       | <b>1/8" - 5/32</b> <small>O.D. pressed-in tube receptacle</small> | <b>0.3</b>    |                     |                        |                    |   |   |  |  |   |
| <b>3/2</b>       | <b>1/8"</b>   | <b>0.4</b>    |                     | P. 33                  |                    |   |   |  |  |   |
| <b>3/2</b>       | <b>#10-32 - 1/4"</b> <small>O.D. tube receptacle</small>          | <b>0.4</b>    |                     |                        | P. 35              | P. 41   | P. 43   |  |  |   |
| <b>3/2</b>       | <b>1/8" - 1/4"</b>  | <b>0.5</b>    | P. 47               | P. 49                  |                    |   |   |  |  |   |
| <b>3/2</b>       | <b>1/8" - 1/4"</b> <small>O.D. tube receptacle</small>            | <b>1.2</b>    |                     | P. 53                  | P. 55              | P. 59   | P. 61   |  |  |   |
| <b>3/2 - 2/2</b> | <b>1/8" - 1/4"</b>  | <b>1.5</b>    | P. 65               |                        |                    |   |   |  |  |   |
| <b>3/2 - 2/2</b> | <b>3/4" - 1"</b>  | <b>20.0</b>   | P. 69               |                        |                    |   |   |  |  |   |
| <b>3/2 - 2/2</b> | <b>1 1/2" - 2" - 2 1/2"</b>                                       | <b>60.0</b>   | P. 73               |                        |                    |   |   |  |  |   |
| <b>5/2</b>       | <b>M5 - #10-32</b>  | <b>0.1</b>    | P. 77               |                        |                    |   |   |  |  |   |
| <b>4/2</b>       | <b>1/8" - #10-32</b>  | <b>0.3</b>    | P. 81               |                        |                    |   |   |  |  |   |
| <b>4/2</b>       | <b>1/8" - 5/32</b> <small>O.D. pressed-in tube receptacle</small> | <b>0.3</b>    |                     |                        |                    |   |   |  |  |   |
| <b>5/2 - 5/3</b> | <b>#10-32 - 1/4"</b> <small>O.D. tube receptacle</small>          | <b>0.4</b>    |                     | P. 95                  | P. 97              |   |   |  |  |   |
| <b>5/2</b>       | <b>#10-32 - 1/4"</b> <small>O.D. tube receptacle</small>          | <b>0.4</b>    |                     |                        |                    | P. 103  | P. 105  |  |  |   |
| <b>5/2</b>       | <b>1/8" - 1/4"</b>  | <b>0.5</b>    | P. 111              | P. 113                 |                    |   |   |  |  |   |
| <b>5/2</b>       | <b>1/8"</b>   | <b>1.0</b>    | P. 121              |                        |                    |   |   |  |  |   |
| <b>5/2 - 5/3</b> | <b>1/8"</b>   | <b>1.1</b>    |                     | P. 125                 | P. 127             |   |   |  |  |   |
| <b>5/2</b>       | <b>1/8"</b>   | <b>1.1</b>    |                     |                        |                    | P. 133  | P. 135  |  |  |   |
| <b>5/2 - 5/3</b> | <b>1/8" - 1/4"</b>  | <b>1.0</b>    | P. 141              | P. 143                 |                    |   |   |  |  |   |
| <b>5/2 - 5/3</b> | <b>1/8" - 1/4" - 3/8"</b>   | <b>1.2</b>    |                     | P. 147                 | P. 149             |   |   |  |  |   |
| <b>5/2 - 5/3</b> | <b>1/4" - 3/8"</b>  | <b>1.2</b>    |                     |                        |                    |   |   |  |  |   |
| <b>5/2 - 5/3</b> | <b>3/8" - 1/2"</b>  | <b>3.8</b>    | P. 159              |                        |                    |   |   |  |  |   |
| <b>5/2 - 5/3</b> | <b>1/4" - 3/8" - 1/2"</b>   | <b>3.4</b>    |                     | P. 161                 | P. 163             |   |   |  |  |   |
| <b>5/2 - 5/3</b> | <b>1/4"</b>   | <b>1.0</b>    |                     |                        |                    |   |   |  |  | P. 173  |
| <b>5/2 - 5/3</b> | <b>1/8"</b>   | <b>0.43</b>   |                     |                        |                    |   |   |  |  | P. 177  |
| <b>5/2 - 5/3</b> | <b>1/4" - 3/8"</b>  | <b>1.8</b>    |                     |                        |                    |   |   | P. 181   | P. 165   |   |
| <b>5/2 - 5/3</b> | <b>3/8" - 1/2"</b>  | <b>3.0</b>    |                     |                        |                    |   |   | P. 187   | P. 189   |   |
| <b>5/2 - 5/3</b> | <b>1/2" - 3/4"</b>  | <b>6.1</b>    |                     |                        |                    |   |   | P. 193   | P. 195   |   |



Direct solenoid and solenoid pilot operated valves  
8 mm valve

Individual mounting

Series

Inline

**33**

34

36

32

37

38

52

67

69

44

46

42

47

48P

48

400

92

93

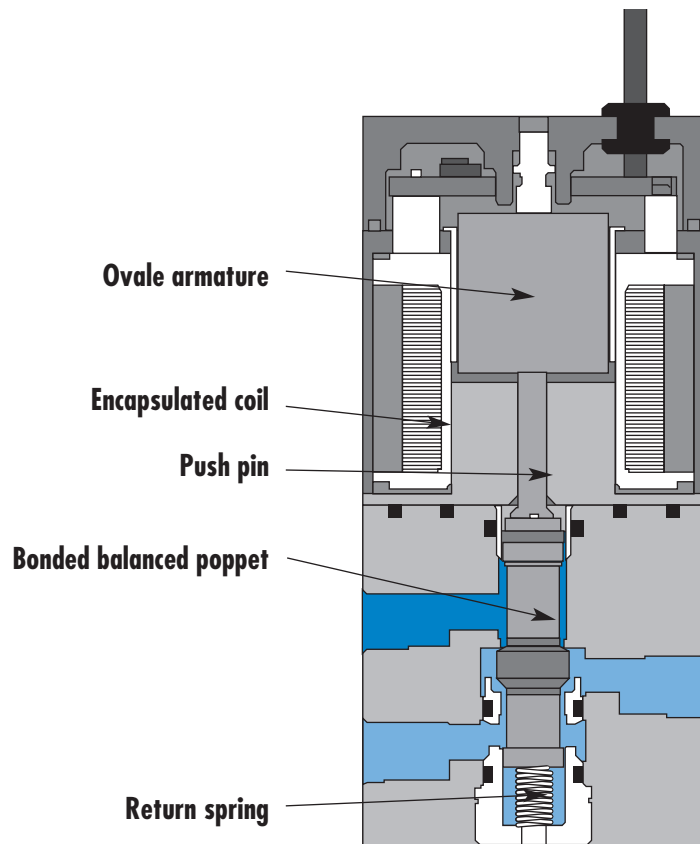
ISO 01

ISO 02

ISO 1

ISO 2

ISO 3



**SERIES FEATURES**

- Patented high force MACSOLENOID® for fastest possible response times.
- Bonded balanced poppet for high flow, precise repeatability, and consistent operation.
- Extremely high cycle rate capability.
- Use on lube or non-lube service.
- Low wattage DC solenoids-down to 0.5 W.
- 8 mm direct operated valve.
- Very fast response times.



# Direct solenoid and solenoid pilot operated valves

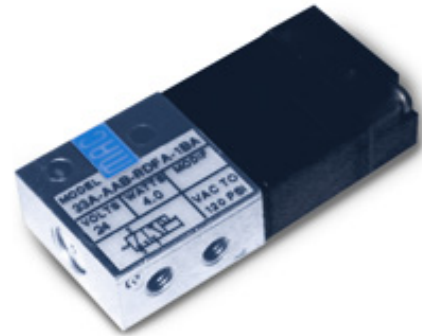
## 8 mm valve

|               |           |                            |                     |        |
|---------------|-----------|----------------------------|---------------------|--------|
| Function      | Port size | Flow [Max]                 | Individual mounting | Series |
| <b>3/2 NC</b> | <b>M3</b> | <b>0.082 C<sub>v</sub></b> | Inline              |        |

### OPERATIONAL BENEFITS

1. 8mm valve direct solenoid operated.
2. Balanced poppet, immune to pressure variations.
3. Short stroke with high flow.
4. Patented solenoid develops high shifting forces.
5. Low wattage solenoids.
6. Powerful return spring.
7. Extremely fast response times.

Patents and patents pending



### HOW TO ORDER

| Port size | N.C. Only        | N.C. Only **     |
|-----------|------------------|------------------|
|           |                  |                  |
| <b>M3</b> | 33A-AAB-Rxxx-xxx | 33A-BAB-Rxxx-xxx |

\*\* For use with solenoids above 4.0 W - MOD number required. (Consult factory)

### SOLENOID OPERATOR >

R **XXX-XXX**

| XX | Voltage       | X | Lead wire length | X | Manual operator      | XX | Electrical connection                 |
|----|---------------|---|------------------|---|----------------------|----|---------------------------------------|
| DA | 24 VDC (0.5W) | 0 | No Lead wire*    | 0 | No manual operator   | BA | Flying leads                          |
| DB | 24 VDC (1.0W) | A | 18"              | 1 | Non-locking recessed | BB | Flying leads w/LED                    |
| DC | 24 VDC (1.8W) | B | 24"              | 3 | Non-locking extended | BC | Flying leads w/MOV                    |
| DF | 24 VDC (4.0W) | C | 36"              |   |                      | BD | Flying leads w/LED & MOV              |
| DG | 12 VDC (0.5W) | D | 48"              |   |                      |    |                                       |
| DH | 12 VDC (1.0W) | E | 72"              |   |                      | RA | Mini JAC Solenoid plug-in             |
| DJ | 12 VDC (1.8W) |   |                  |   |                      | RB | Mini JAC Solenoid plug-in w/LED       |
| DM | 12 VDC (4.0W) |   |                  |   |                      | RC | Mini JAC Solenoid plug-in w/MOV       |
|    |               |   |                  |   |                      | RD | Mini JAC Solenoid plug-in w/LED & MOV |
|    |               |   |                  |   |                      | TA | JST Solenoid plug-in                  |
|    |               |   |                  |   |                      | TB | JST Solenoid plug-in w/LED            |
|    |               |   |                  |   |                      | TC | JST Solenoid plug-in w/MOV            |
|    |               |   |                  |   |                      | TD | JST Solenoid plug-in w/LED & MOV      |

\* Other options available, see page 321.

Washdown capability is possible for the "B" and "R" type electrical connectors. Consult factory for ordering information.

- 33
- 34
- 36
- 32
- 37
- 38
- 52
- 67
- 69
- 44
- 46
- 42
- 47
- 48P
- 48
- 400
- 92
- 93
- ISO 01
- ISO 02
- ISO 1
- ISO 2
- ISO 3

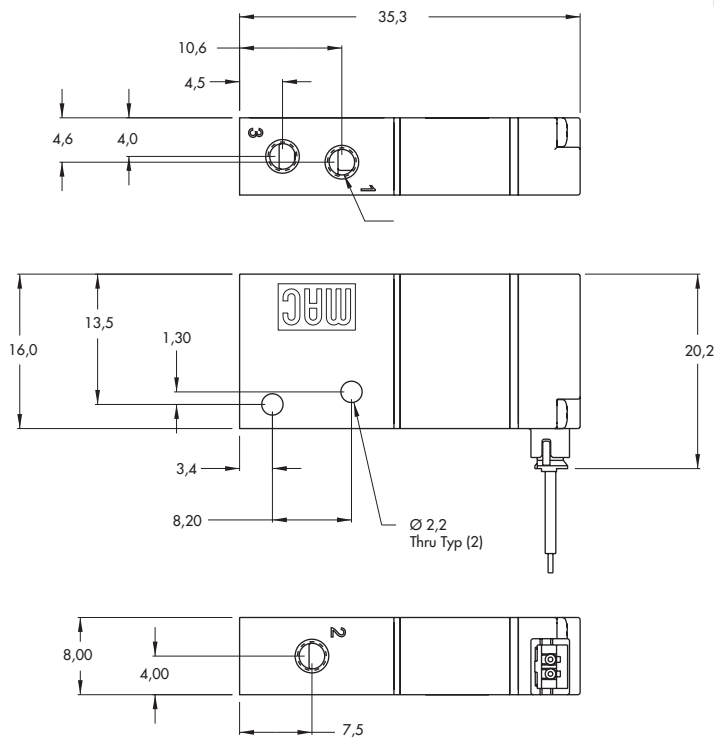
**TECHNICAL DATA**

|                            |   |
|----------------------------|---|
| <b>Fluid :</b>             | Compressed air, vacuum, inert gases   |
| <b>Pressure range :</b>    | Vacuum to 120 PSI   |
| <b>Lubrication :</b>       | Not required, if used select a medium aniline point lubricant (between 180°F and 210°F)               |
| <b>Filtration :</b>        | 40 $\mu$  |
| <b>Temperature range :</b> | 0°F to 120°F (-18°C to +50°C)   |
| <b>Flow :</b>              | 4W: (Cv .082) - 3W: (Cv .062) - 2.5W: (Cv .062) - 1.8W: (Cv .055) - 1.0W: (Cv .030) - 0.5W: (Cv .020) |
| <b>Coil :</b>              | Class A wire (#26 AWG x18), continuous duty   |
| <b>Voltage range :</b>     | -15% to +10% of nominal voltage   |
| <b>Power :</b>             | 4.0W - 3.0W - 2.5W - 1.8W - 1.0W - 0.5W   |

**DIMENSIONS**

Dimensions shown are metric (mm)

Shown with JST Connector



Individual mounting

Series

Inline

33

**34**

36

32

37

38

52

67

69

44

46

42

47

48P

48

400

92

93

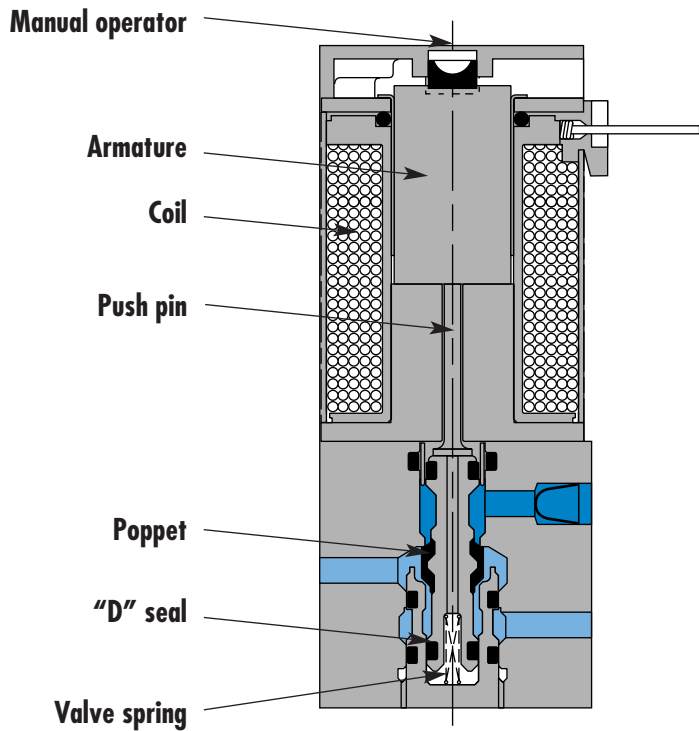
ISO 01

ISO 02

ISO 1

ISO 2

ISO 3



**SERIES FEATURES**

- High force MACSOLENOID®.
- Universal porting.
- # 10-32 or M5 ports.
- Rated for lubricated or non-lubricated service.
- 10 mm direct operated.



# Direct solenoid and solenoid pilot operated valves

| Function                    | Port size          | Flow [Max]                | Individual mounting | Series |
|-----------------------------|--------------------|---------------------------|---------------------|--------|
| <b>3/2 NO-NC, 2/2 NO-NC</b> | <b>M5, # 10-32</b> | <b>0.12 C<sub>v</sub></b> | Inline              |        |

### OPERATIONAL BENEFITS

1. 10 mm valve, direct solenoid operated.
2. Balanced poppet, immune to variations of pressure.
3. Short stroke with high flow.
4. Patented solenoid develops high shifting forces.
5. Powerful return spring.
6. Manual operator standard on all valves.



33

34

36

32

37

38

52

67

69

44

46

42

42

47

47

48P

48

400

92

93

ISO 01

ISO 02

ISO 1

ISO 2

ISO 3

### HOW TO ORDER

| Port size      | Universal valve          | NC only valve            |
|----------------|--------------------------|--------------------------|
|                |                          |                          |
| <b>M5</b>      | 34C-ABA-G <b>XXX-XXX</b> | 34C-ABB-G <b>XXX-XXX</b> |
| <b># 10-32</b> | 34C-AAA-G <b>XXX-XXX</b> | 34C-AAB-G <b>XXX-XXX</b> |

### SOLENOID OPERATOR >

G **XXX-XXX\***

| XX | Voltage        | X | Wire length | X | Manual operator      | XX | Electrical connection                          |
|----|----------------|---|-------------|---|----------------------|----|--|
| AA | 120 VAC (2.5W) | A | 18"         | 1 | Non-locking recessed | BA | Flying leads                                   |
| DC | 24 VDC (1.8W)  | B | 24"         | 3 | Non-locking extended | BT | Flying leads with light                        |
| DD | 24 VDC (2.5W)  | C | 36"         |   |                      | GA | MAC JAC Solenoid plug-in w/Diode               |
| DF | 24 VDC (4.0W)  |   |             |   |                      | GB | MAC JAC Solenoid plug-in w/Diode               |
|    |                |   |             |   |                      | GC | MAC JAC Solenoid plug-in w/MOV                 |
|    |                |   |             |   |                      | GD | MAC JAC Solenoid plug-in w/LED                 |
|    |                |   |             |   |                      | GE | MAC JAC Solenoid plug-in w/Diode & LED         |
|    |                |   |             |   |                      | GF | MAC JAC Solenoid plug-in w/MOV & LED           |
|    |                |   |             |   |                      | GG | MAC JAC Solenoid plug-in w/Rectifier           |
|    |                |   |             |   |                      | GH | MAC JAC Solenoid plug-in w/Rectifier & LED     |
|    |                |   |             |   |                      | KA | Plug-in wire assembly                          |
|    |                |   |             |   |                      | KC | Plug-in wire assembly with rectifier and light |
|    |                |   |             |   |                      | KT | Plug-in wire assembly with light               |

Note : AC voltage requires connector with rectifier.

\* Other options available, see page 311.

Washdown capability is possible for the "G" type electrical connectors. Consult factory for ordering information.

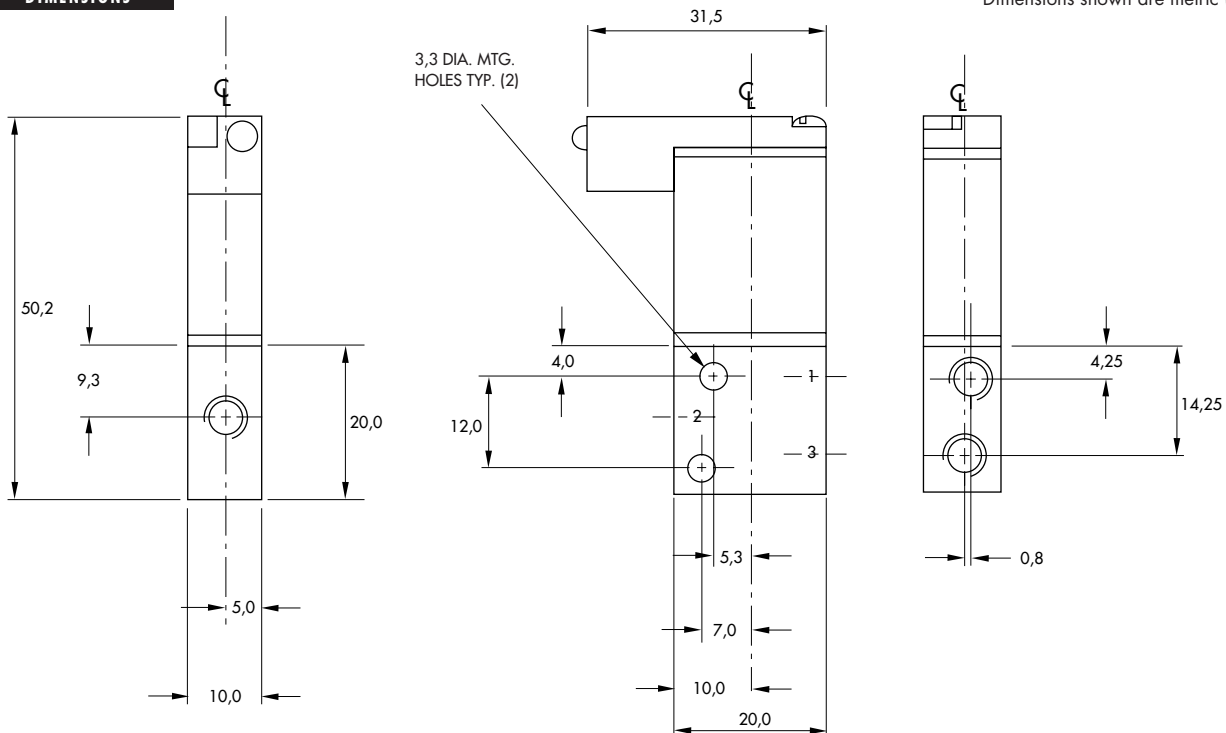


**TECHNICAL DATA**

|  |  |
|--|--|
| <b>Fluid :</b>                             | Compressed air, vacuum, inert gases  |
| <b>Pressure range :</b>                    | Vacuum to 120 PSI  |
| <b>Lubrication :</b>                       | Not required, if used select a medium aniline point lubricant (between 180°F and 210°F)        |
| <b>Filtration :</b>                        | 40 μ   |
| <b>Temperature range :</b>                 | 0°F to 120°F (-18°C to +50°C)  |
| <b>Flow :</b>                              | 4 W : (0.12 C <sub>v</sub> ) – 2.5 W : (0.10 C <sub>v</sub> ) – 1.8 W : (0.06 C <sub>v</sub> ) |
| <b>Coil :</b>                              | Class A wire (#22 AWG x 18), continuous duty   |
| <b>Voltage range :</b>                     | -15% to +10% of nominal voltage  |
| <b>Power :</b>                             | 4 W – 2.5 W – 1.8 W  |
| <b>Response times :</b><br>(with 4 W coil) | Energize : 3.4 ms<br>De-energize : 1.5 ms  |

**DIMENSIONS**

Dimensions shown are metric (mm)



Individual mounting

|        |
|--------|
| Inline |
|--------|

Manifold mounting

|          |                         |  |
|----------|-------------------------|--|
| Stacking | Manifold base "plug-in" | Manifold base "plug-in" with pressure regulators |
|----------|-------------------------|--|

Series

33

34

**36**

32

37

38

52

67

69

44

46

42

47

48P

48

400

92

93

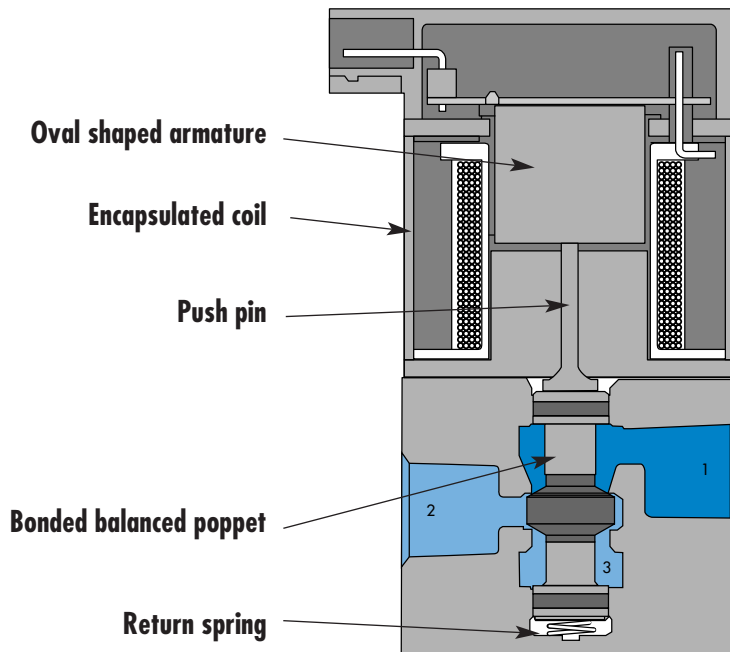
ISO 01

ISO 02

ISO 1

ISO 2

ISO 3



**SERIES FEATURES**

- Patented high force MACSOLENOID® for fastest possible response times.
- Bonded balanced poppet for high flow, precise repeatability, and consistent operation.
- Balanced poppet permits versatility in function — may be used as 3-way or 2-way normally open or normally closed and may be used for vacuum, divertor, or selector applications.
- Extremely high cycle rate capability.
- Use on lube or non-lube service.
- Manual overrides as standard.
- Various solenoid enclosures and plug-in connectors.
- Optional surge suppression available.
- Low wattage DC solenoids — down to 1.8 watts.
- Rectified AC voltage.

| Function   | Port size   | Flow [Max]               | Individual mounting | Series |
|------------|-------------|--------------------------|---------------------|--------|
| <b>3/2</b> | <b>1/8"</b> | <b>0.3 C<sub>v</sub></b> | Inline              |        |

**OPERATIONAL BENEFITS**

1. Balanced poppet, immune to variations of pressure.
2. Patented solenoid develops high shifting forces.
3. Short stroke with high flow.
4. Higher forces result in lower wattages for given flow.
5. Powerful return spring.



33  
34  
**36**

32  
37  
38  
52  
67

69  
44  
46

42  
47  
48P

48

400

92

93

ISO 01

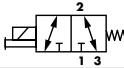
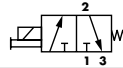
ISO 02

ISO 1

ISO 2

ISO 3

**HOW TO ORDER**

| Port size        | Universal valve   | NC only valve   |
|------------------|---|---|
|                  |  |  |
| <b>1/8" NPTF</b> | 36A-AAA-J <b>XXX-XXX</b>  | 36A-AAB-J <b>XXX-XXX</b>  |

SOLENOID OPERATOR ►

J **XXX-XXX\*** (-G) Add "G" for ground

| XX | Voltage        | X | Lead wire length | X | Manual operator      | XX | Electrical connection                   |
|----|----------------|---|------------------|---|----------------------|----|---|
| AA | 120 VAC (5.4W) | A | 18"              | 1 | Non-locking recessed | BA | Flying leads                            |
| DA | 24 VDC (5.4W)  | B | 24"              | 2 | Locking recessed     | GA | MAC JAC solenoid plug-in                |
| DB | 12 VDC (5.4W)  | C | 36"              |   |                      | GB | MAC JAC solenoid plug-in with diode     |
| DC | 24 VDC (2.4W)  |   |                  |   |                      | GD | MAC JAC solenoid plug-in with light     |
| DD | 12 VDC (2.4W)  |   |                  |   |                      | GG | MAC JAC solenoid plug-in with rectifier |

\* Other options available, see page 317.

Note : - AC voltage requires connector with rectifier.

- With the MAC JAC, washdown capability is possible. Consult factory for washdown modification number.

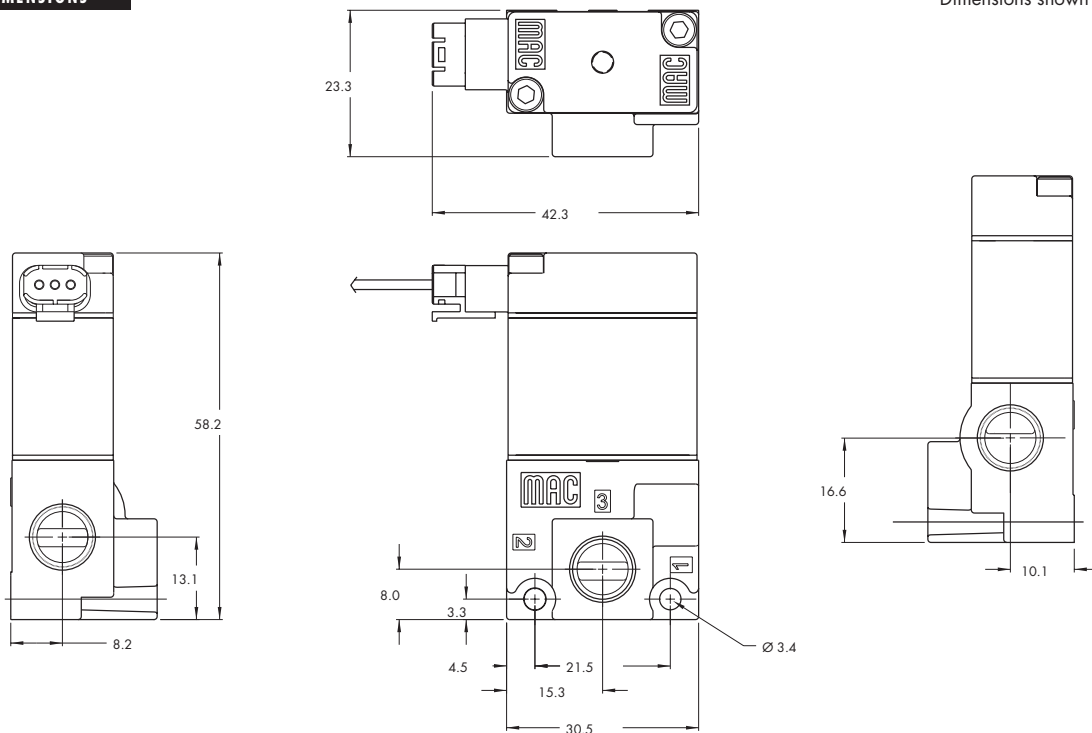
**TECHNICAL DATA**

|                            |  |
|----------------------------|--|
| <b>Fluid :</b>             | Compressed air, vacuum, inert gases  |
| <b>Pressure range :</b>    | Vacuum to 120 PSI  |
| <b>Lubrication :</b>       | Not required, if used select a medium aniline point lubricant (between 180°F and 210°F)              |
| <b>Filtration :</b>        | 40 μ   |
| <b>Temperature range :</b> | 0°F to 120°F (-18°C to +50°C)  |
| <b>Flow :</b>              | 1.8 Watt: (0.15 C <sub>v</sub> ), 2.4 Watt: (0.15 C <sub>v</sub> ), 5.4 Watt: (0.30 C <sub>v</sub> ) |
| <b>Coil :</b>              | Class A wire (#22 AWG x 12), continuous duty   |
| <b>Voltage range :</b>     | -15% to +10% of nominal voltage  |
| <b>Protection :</b>        | Consult factory  |
| <b>Power :</b>             | 5.4 W – 2.4 W – 1.8 W  |

Option : • BSPP threads

**DIMENSIONS**

Dimensions shown are metric (mm)





# Direct solenoid and solenoid pilot operated valves

| Function   | Port size             | Flow [Max]               | Individual mounting | Series |
|------------|-----------------------|--------------------------|---------------------|--------|
| <b>3/2</b> | <b>1/8" - # 10-32</b> | <b>0.3 C<sub>v</sub></b> | Stacking            |        |

### OPERATIONAL BENEFITS

1. Balanced poppet, immune to variations of pressure.
2. Patented solenoid develops high shifting forces.
3. Short stroke with high flow.
4. Higher forces result in lower wattages for given flow.
5. Powerful return spring.



33  
34  
**36**

32  
37  
38  
52  
67

### HOW TO ORDER

| Port size        | NC only stacking         | NC stacking<br>Universal poppet | NO stacking<br>Universal poppet |
|------------------|--------------------------|---------------------------------|---------------------------------|
|                  |                          |                                 |                                 |
| <b>1/8" NPTF</b> | 36A-SAB-J <b>XXX-XXX</b> | 36A-SAC-J <b>XXX-XXX</b>        | 36A-SAD-J <b>XXX-XXX</b>        |
| <b># 10-32</b>   | 36A-SBB-J <b>XXX-XXX</b> | 36A-SBC-J <b>XXX-XXX</b>        | 36A-SBD-J <b>XXX-XXX</b>        |

69  
44  
46  
42

### SOLENOID OPERATOR >

J **XXX-XXX\*** (-G) Add "G" for ground

| XX Voltage               | X Lead wire length | X Manual operator             | XX Electrical connection                          |
|--------------------------|--------------------|-------------------------------|---|
| <b>AA</b> 120 VAC (5.4W) | <b>A</b> 18"       | <b>1</b> Non-locking recessed | <b>BA</b> Flying leads                            |
| <b>DA</b> 24 VDC (5.4W)  | <b>B</b> 24"       | <b>2</b> Locking recessed     | <b>GA</b> MAC JAC solenoid plug-in                |
| <b>DB</b> 12 VDC (5.4W)  | <b>C</b> 36"       |                               | <b>GB</b> MAC JAC solenoid plug-in with diode     |
| <b>DC</b> 24 VDC (2.4W)  |                    |                               | <b>GD</b> MAC JAC solenoid plug-in with light     |
| <b>DD</b> 12 VDC (2.4W)  |                    |                               | <b>GG</b> MAC JAC solenoid plug-in with rectifier |

47  
48P  
48  
400  
92

\* Other options available, see page 317.  
 Note : - AC voltage requires connector with rectifier.  
 - With the MAC JAC, washdown capability is possible. Consult factory for washdown modification number.  
 End plate kit required (port size 1/4") : M-36001-01.

93

### BODY TYPE OPTIONS

36A-SAB-J**xxx-xxx**

- S** Stacking body
- T** Stacking body with bottom inlet

ISO 01  
ISO 02  
ISO 1  
ISO 2  
ISO 3

**TECHNICAL DATA**

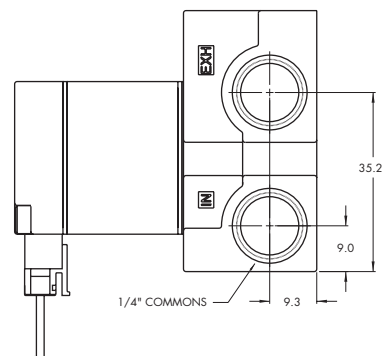
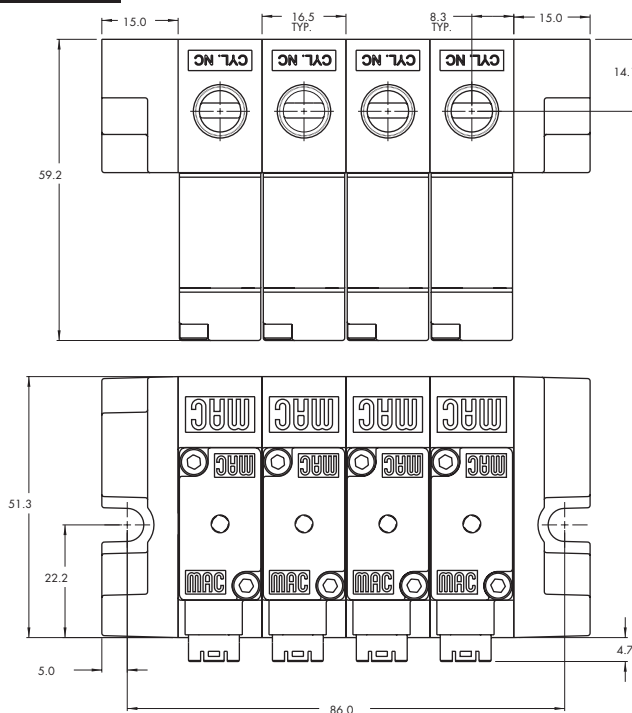
|                            |  |
|----------------------------|--|
| <b>Fluid :</b>             | Compressed air, vacuum, inert gases  |
| <b>Pressure range :</b>    | Vacuum to 120 PSI  |
| <b>Lubrication :</b>       | Not required, if used select a medium aniline point lubricant (between 180°F and 210°F)              |
| <b>Filtration :</b>        | 40 μ   |
| <b>Temperature range :</b> | 0°F to 120°F (-18°C to +50°C)  |
| <b>Flow :</b>              | 1.8 Watt: (0.15 C <sub>v</sub> ), 2.4 Watt: (0.15 C <sub>v</sub> ), 5.4 Watt: (0.30 C <sub>v</sub> ) |
| <b>Coil :</b>              | Class A wire (#22 AWG x 12), continuous duty   |
| <b>Voltage range :</b>     | -15% to +10% of nominal voltage  |
| <b>Protection :</b>        | Consult factory  |
| <b>Power :</b>             | 5.4 W – 2.4 W – 1.8 W  |

- Option :                   • BSPP threads
- Spare parts :           • Inlet & exhaust isolator plate : N-36001 • Inlet isolator : N-36002  
                               • Exhaust isolator : N-36003 • Tie rod (x2) : 79411

**DIMENSIONS**

Dimensions shown are metric (mm)

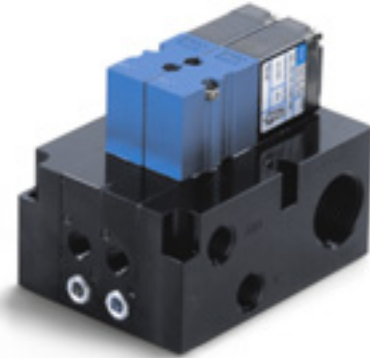
Note: Isolator adds 2.5 mm to length of stack.



| Function | Port size                              | Flow [Max]         | Individual mounting     | Series |
|----------|--|--------------------|-------------------------|--------|
| 3/2      | 1/8" - 5/32 Pressed-in tube receptacle | 0.3 C <sub>v</sub> | Manifold base "plug-in" |        |

**OPERATIONAL BENEFITS**

1. Balanced poppet, immune to variations of pressure.
2. Patented solenoid develops high shifting forces.
3. Short stroke with high flow.
4. Higher forces result in lower wattages for given flow.
5. Powerful return spring.



33  
34  
**36**

32  
37  
38  
52  
67

69  
44  
46

42

47  
48P

48

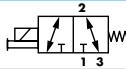
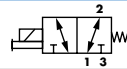
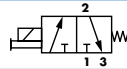
400

92

93

ISO 01  
ISO 02  
ISO 1  
ISO 2  
ISO 3

**HOW TO ORDER**

| Port size                   | Universal Valve Normally Closed   | Universal Valve Normally Open   | Normally Closed Only  |
|-----------------------------|---|---|---|
|                             |  |  |  |
| <b>Valve less base</b>      | 36A-J00-00-J <b>XX</b> P- <b>XXX</b>  | 36A-K00-00-J <b>XX</b> P- <b>XXX</b>  | 36A-L00-00-J <b>XX</b> P- <b>XXX</b>  |
| <b>1/8" NPTF</b>            | 36A-JSA-AE-J <b>XX</b> P- <b>XXX</b>  | 36A-KSA-AF-J <b>XX</b> P- <b>XXX</b>  | 36A-LSA-AE-J <b>XX</b> P- <b>XXX</b>  |
| <b>5/32 tube receptacle</b> | 36A-JSF-AE-J <b>XX</b> P- <b>XXX</b>  | 36A-KSF-AF-J <b>XX</b> P- <b>XXX</b>  | 36A-LSF-AE-J <b>XX</b> P- <b>XXX</b>  |

SOLENOID OPERATOR >

J **XX** P-**XXX**\* (-G) Add "G" for ground

| XX Voltage        | X Manual operator      | XX Electrical connection       |
|-------------------|------------------------|--------------------------------|
| AA 120 VAC (5.4W) | 1 Non-locking recessed | FA Base plug-in                |
| DA 24 VDC (5.4W)  | 2 Locking recessed     | FB Base plug-in with diode     |
| DB 12 VDC (5.4W)  |                        | FG Base plug-in with rectifier |
| DC 24 VDC (2.4W)  |                        |                                |
| DD 12 VDC (2.4W)  |                        |                                |

\* Other options available, see page 317.

Note : AC voltage requires connector with rectifier.

Example : Manifold base only : 36A-0SA-AE (Normally closed manifold base).

End plate kit required (port size 1/4") : M-46003-01.

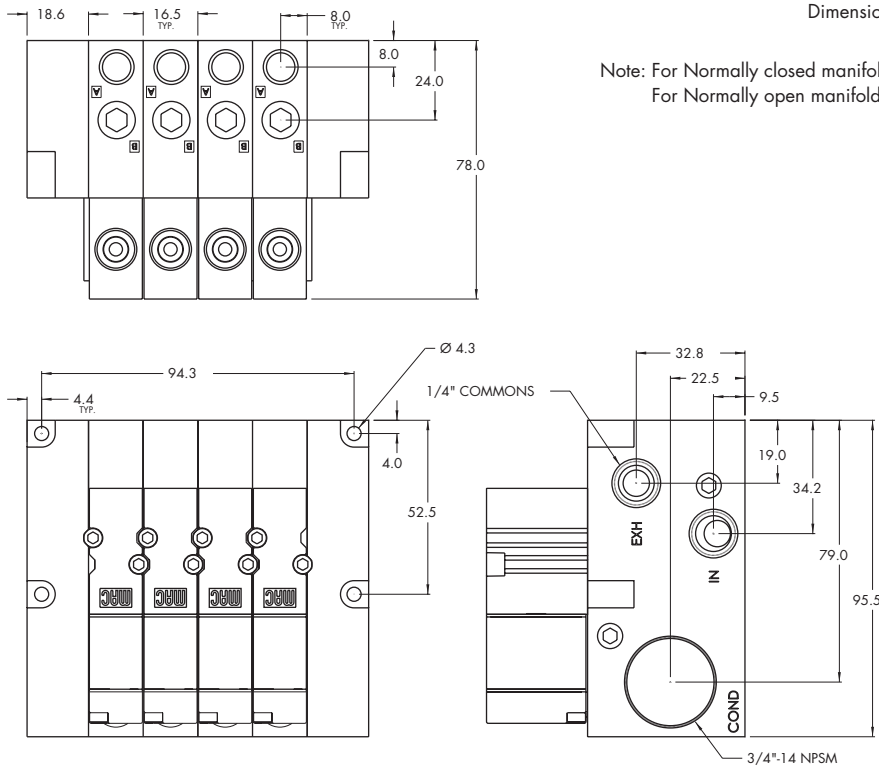
**TECHNICAL DATA**

|                            |   |
|----------------------------|---|
| <b>Fluid :</b>             | Compressed air, vacuum, inert gases   |
| <b>Pressure range :</b>    | Vacuum to 120 PSI   |
| <b>Lubrication :</b>       | Not required, if used select a medium aniline point lubricant (between 180°F and 210°F)       |
| <b>Filtration :</b>        | 40 μ  |
| <b>Temperature range :</b> | 0°F to 120°F (-18°C to +50°C)   |
| <b>Flow :</b>              | 1.8W : (0.20 C <sub>v</sub> ) – 2.4W : (0.20 C <sub>v</sub> ) – 5.4W : (0.30 C <sub>v</sub> ) |
| <b>Coil :</b>              | Class A continuous duty, #22 AWG x 12 base leads  |
| <b>Voltage range :</b>     | -15% to +10% of nominal voltage   |
| <b>Protection :</b>        | Consult Factory   |
| <b>Power :</b>             | 5.4 W – 2.4 W – 1.8 W   |

- Option :                   • BSPP threads
- Spare parts :           • Inlet isolator : 28501 • Exhaust isolator : 28502 • Valve cover plate : M-46002  
                               • Tie rod (x2) : 79443

**DIMENSIONS**

Dimensions shown are metric (mm)



Note: For Normally closed manifold the "A" port is plugged.  
 For Normally open manifold the "B" port is plugged.





# Direct solenoid and solenoid pilot operated valves

| Function | Port size                              | Flow [Max]         | Individual mounting                              | Series |
|----------|--|--------------------|--|--------|
| 3/2      | 1/8" - 5/32 Pressed-in tube receptacle | 0.3 C <sub>v</sub> | Manifold base "plug-in" with pressure regulators |        |

### OPERATIONAL BENEFITS

1. Balanced poppet, immune to variations of pressure.
2. Patented solenoid develops high shifting forces.
3. Short stroke with high flow.
4. Higher forces result in lower wattages for given flow.
5. Powerful return spring.



33  
34  
**36**

32  
37  
38  
52  
67

### HOW TO ORDER

| Port size                   | Universal Valve Normally Closed      | Universal Valve Normally Open        | Normally Closed Only                 |
|-----------------------------|--------------------------------------|--------------------------------------|--------------------------------------|
|                             |                                      |                                      |                                      |
| <b>Valve less base</b>      | 36A-J00-00-J <b>XX</b> P- <b>XXX</b> | 36A-K00-00-J <b>XX</b> P- <b>XXX</b> | 36A-L00-00-J <b>XX</b> P- <b>XXX</b> |
| <b>1/8" NPTF</b>            | 36A-JSA-AG-J <b>XX</b> P- <b>XXX</b> | 36A-KSA-AH-J <b>XX</b> P- <b>XXX</b> | 36A-LSA-AG-J <b>XX</b> P- <b>XXX</b> |
| <b>5/32 tube receptacle</b> | 36A-JSF-AG-J <b>XX</b> P- <b>XXX</b> | 36A-KSF-AH-J <b>XX</b> P- <b>XXX</b> | 36A-LSF-AG-J <b>XX</b> P- <b>XXX</b> |

69  
44  
46  
42

### SOLENOID OPERATOR >

J **XX** P-**XXX**\* (-G) Add "G" for ground

| XX Voltage               | X Manual operator             | XX Electrical connection              |
|--------------------------|-------------------------------|---------------------------------------|
| <b>AA</b> 120 VAC (5.4W) | <b>1</b> Non-locking recessed | <b>FA</b> Base plug-in                |
| <b>DA</b> 24 VDC (5.4W)  | <b>2</b> Locking recessed     | <b>FB</b> Base plug-in with diode     |
| <b>DB</b> 12 VDC (5.4W)  |                               | <b>FG</b> Base plug-in with rectifier |
| <b>DC</b> 24 VDC (2.4W)  |                               |                                       |
| <b>DD</b> 12 VDC (2.4W)  |                               |                                       |

\* Other options available, see page 317.  
Note : AC voltage requires connector with rectifier.

47  
48P  
48  
400  
92

### OPTIONS

36A-JSA-AG-J**XX**P-**XXX**

- G** NC manifold & regulator with slotted stem adjustment
- S** NC manifold & regulator with locking slotted stem adjustment
- J** NC manifold & regulator with knob adjustment

36A-KSA-AH-J**XX**P-**XXX**

- H** NO manifold & regulator with slotted stem adjustment
- T** NO manifold & regulator with locking slotted stem adjustment
- K** NO manifold & regulator with knob adjustment

Note : All manifold bases are only available with a bottom cylinder port.

Example : Manifold base only : 36A-OSA-AJ (Normally closed manifold base & regulator with knob).

End plate kit required (port size 1/4") : M-46003-01.

93  
ISO 01  
ISO 02  
ISO 1  
ISO 2  
ISO 3

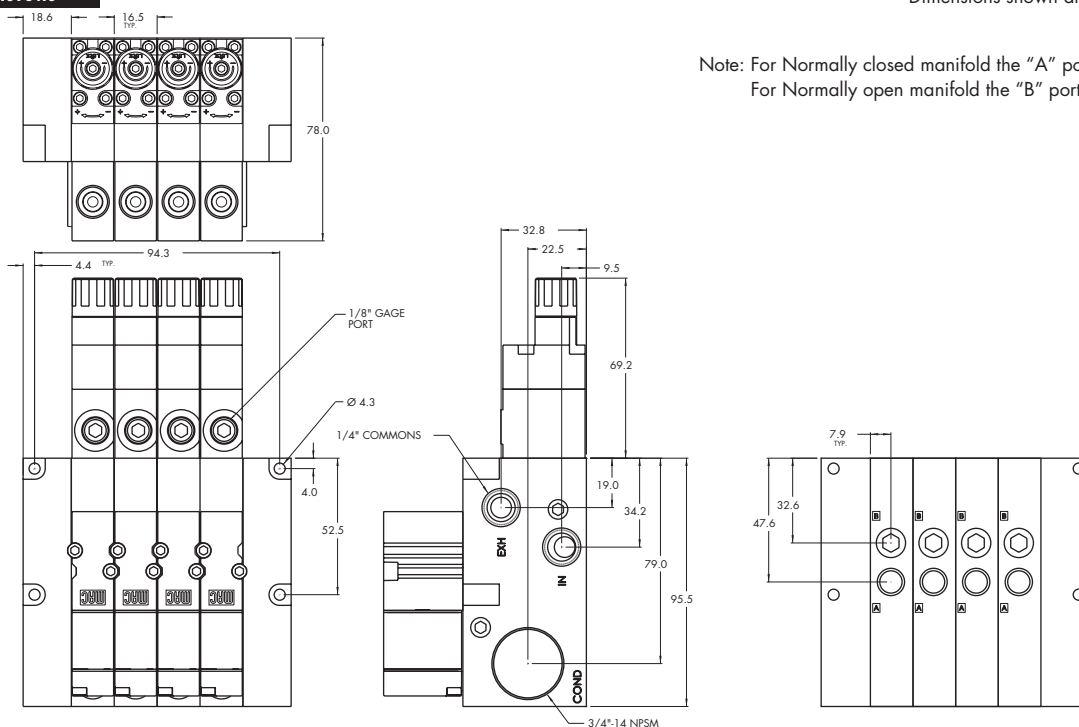
**TECHNICAL DATA**

|                            |   |
|----------------------------|---|
| <b>Fluid :</b>             | Compressed air, vacuum, inert gases   |
| <b>Pressure range :</b>    | Vacuum to 120 PSI   |
| <b>Lubrication :</b>       | Not required, if used select a medium aniline point lubricant (between 180°F and 210°F)       |
| <b>Filtration :</b>        | 40 $\mu$  |
| <b>Temperature range :</b> | 0°F to 120°F (-18°C to +50°C)   |
| <b>Flow :</b>              | 1.8W : (0.20 C <sub>v</sub> ) – 2.4W : (0.20 C <sub>v</sub> ) – 5.4W : (0.30 C <sub>v</sub> ) |
| <b>Coil :</b>              | Class A continuous duty, #22 AWG x 12 base leads  |
| <b>Voltage range :</b>     | -15% to +10% of nominal voltage   |
| <b>Protection :</b>        | Consult Factory   |
| <b>Power :</b>             | 5.4 W – 2.4 W – 1.8 W   |

- Option : • BSPP threads
- Spare parts : • Inlet isolator : 28501 • Exhaust isolator : 28502 • Valve cover plate : M-46002  
• Tie rod (x2) : 79443

**DIMENSIONS**

Dimensions shown are metric (mm)



Individual mounting

|                        |                    |   |   |
|------------------------|--------------------|---|---|
| Sub-base non "plug-in" | Sub-base "plug-in" | Sub-base/manifold base non "plug-in" with latching solenoid | Sub-base/manifold base "plug-in" with latching solenoid |
|------------------------|--------------------|---|---|

Manifold mounting

|                             |                         |   |   |
|-----------------------------|-------------------------|---|---|
| Manifold base non "plug-in" | Manifold base "plug-in" | Sub-base/manifold base non "plug-in" with latching solenoid | Sub-base/manifold base "plug-in" with latching solenoid |
|-----------------------------|-------------------------|---|---|

Series

33

34

36

**32**

37

38

52

67

69

44

46

42

47

48P

48

400

92

93

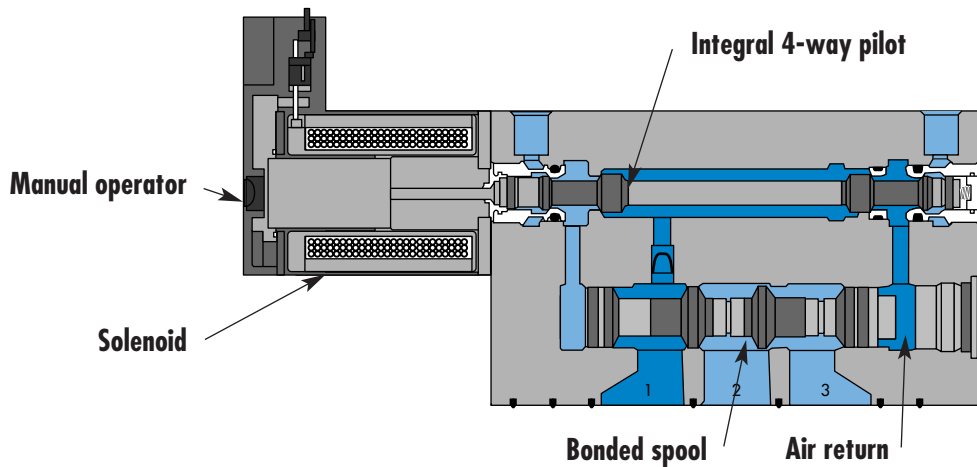
ISO 01

ISO 02

ISO 1

ISO 2

ISO 3



**SERIES FEATURES**

- High force MACSOLENOID®.
- Integral 4-way pilot design.
- Internal or external pilot.
- Normally open or normally closed function.
- Universal function (external pilot).
- Rectified AC voltage.
- Latching solenoid technology.



# Direct solenoid and solenoid pilot operated valves

| Function         | Port size   | Flow [Max]               | Individual mounting    | Series |
|------------------|-------------|--------------------------|------------------------|--------|
| <b>3/2 NO-NC</b> | <b>1/8"</b> | <b>0.4 C<sub>v</sub></b> | Sub-base non "plug-in" |        |

### OPERATIONAL BENEFITS

1. 3-way valve with 4-way integral pilot.
2. 10 mm valve (stacks on 10.5 mm centers).
3. High flow (up to 0.4 C<sub>v</sub>).
4. Fast, repeatable response times.
5. Maximum shifting forces in both directions.



- 33
- 34
- 36
- 32**
- 37
- 38
- 52
- 67
- 69
- 44
- 46
- 42
- 47
- 48P
- 48
- 400
- 92
- 93
- ISO 01
- ISO 02
- ISO 1
- ISO 2
- ISO 3

### HOW TO ORDER

| Port size              | Pilot air | NO valve                     | NC valve                     | Universal valve              |
|------------------------|-----------|------------------------------|------------------------------|------------------------------|
|                        |           |                              |                              |                              |
| <b>Valve less base</b> | Internal  | 32B-BMA-000-G <b>XXX-XXX</b> | 32B-AMA-000-G <b>XXX-XXX</b> |                              |
|                        | External  | 32B-BMB-000-G <b>XXX-XXX</b> | 32B-AMB-000-G <b>XXX-XXX</b> | 32B-GMB-000-G <b>XXX-XXX</b> |
| <b>1/8" NPTF</b>       | Internal  | 32B-BMA-CAL-G <b>XXX-XXX</b> | 32B-AMA-CAL-G <b>XXX-XXX</b> |                              |
|                        | External  | 32B-BMB-CAM-G <b>XXX-XXX</b> | 32B-AMB-CAM-G <b>XXX-XXX</b> | 32B-GMB-CAM-G <b>XXX-XXX</b> |

Note : Above codes are for side port.

### STANDARD SOLENOID OPERATOR >

G **XXX-XXX**\*

| XX | Voltage        | X | Wire length | X | Manual operator      | XX | Electrical connection                              |
|----|----------------|---|-------------|---|----------------------|----|--|
| AA | 120 VAC (2.5W) | A | 18"         | 1 | Non-locking recessed | BA | Flying leads                                       |
| DA | 24 VDC (1.0W)  | B | 24"         | 2 | Locking recessed     | BT | Flying leads with light                            |
| DC | 24 VDC (1.8W)  | C | 36"         |   |                      | GA | MAC JAC Solenoid plug-in                           |
| DD | 24 VDC (2.5W)  |   |             |   |                      | GB | MAC JAC Solenoid plug-in w/Diode                   |
| DF | 24 VDC (4.0W)  |   |             |   |                      | GC | MAC JAC Solenoid plug-in w/MOV                     |
|    |                |   |             |   |                      | GD | MAC JAC Solenoid plug-in w/LED                     |
|    |                |   |             |   |                      | GE | MAC JAC Solenoid plug-in w/Diode & LED             |
|    |                |   |             |   |                      | GF | MAC JAC Solenoid plug-in w/MOV & LED               |
|    |                |   |             |   |                      | GG | MAC JAC Solenoid plug-in w/Rectifier               |
|    |                |   |             |   |                      | GH | MAC JAC Solenoid plug-in w/Rectifier & LED         |
|    |                |   |             |   |                      | KA | Plug-in wire assy.                                 |
|    |                |   |             |   |                      | KT | Plug-in wire assy. with light                      |
|    |                |   |             |   |                      | KD | Plug-in wire assy. with rectifier & light & ground |

Note : AC voltage requires connector with rectifier.

\* Other options available, see page 311.

Latching solenoid also available, see page 41.

With MAC JAC electrical connector washdown capability is possible.

Consult factory for modification number.

### OPTIONS

Pilot/Base Configuration :

32B-**xM-x-Ax-Gxxx-xxx**

- A** Individual base – Side port
- B** Individual base – Bottom port
- M** Pilot exhaust muffled
- P** Pilot exhaust piped (# 10-32)
- U** Pilot exhaust to main exhaust (not available with external pilot)

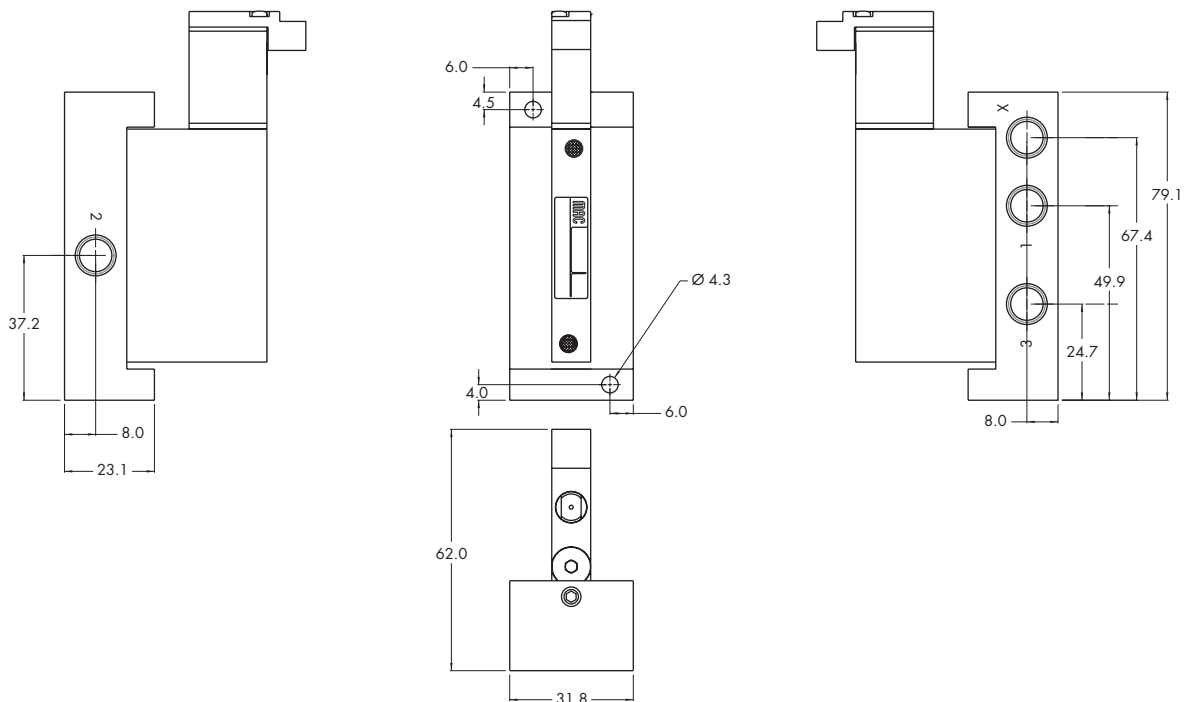
**TECHNICAL DATA**

|   |   |
|---|---|
| <b>Fluid :</b>                              | Compressed air, vacuum, inert gases   |
| <b>Pressure range :</b>                     | Internal Pilot : 20 to 120 PSI<br>External Pilot : Vacuum to 120 PSI                    |
| <b>Pilot pressure :</b>                     | 20 to 120 PSI   |
| <b>Lubrication :</b>                        | Not required, if used select a medium aniline point lubricant (between 180°F and 210°F) |
| <b>Filtration :</b>                         | 40 μ  |
| <b>Temperature range :</b>                  | 0°F to 120°F (-18°C to +50°C)   |
| <b>Flow :</b>                               | 1/8" : (0.40 C <sub>v</sub> )   |
| <b>Coil :</b>                               | Class A wire (#22 AWG x 18), continuous duty  |
| <b>Voltage range :</b>                      | -15% to +10% of nominal voltage   |
| <b>Power :</b>                              | 1.0 to 4.0 W  |
| <b>Response times :<br/>(with 4 W coil)</b> | Energize : 5 ms<br>De-energize : 5 ms   |

Options : • BSPP threads

**DIMENSIONS**

Dimensions shown are metric (mm)





# Direct solenoid and solenoid pilot operated valves

| Function         | Port size                                      | Flow [Max]               | Individual mounting | Series |
|------------------|--|--------------------------|---------------------|--------|
| <b>3/2 NO-NC</b> | <b># 10-32 -<br/>1/4" O.D. tube receptacle</b> | <b>0.4 C<sub>v</sub></b> | Sub-base "plug-in"  |        |

### OPERATIONAL BENEFITS

1. 3-way valve with 4-way integral pilot.
2. 10 mm valve (stacks on 10.5 mm centers).
3. High flow (up to 0.4 C<sub>v</sub>).
4. Fast, repeatable response times.
5. Maximum shifting forces in both directions.



- 33
- 34
- 36
- 32**
- 37
- 38
- 52
- 67
- 69
- 44
- 46
- 42
- 47
- 48P

### HOW TO ORDER

| Port size                        | Pilot air | NO valve                              | NC valve                              | Universal valve                       |
|----------------------------------|-----------|---------------------------------------|---------------------------------------|---------------------------------------|
|                                  |           |                                       |                                       |                                       |
| <b>Valve less base</b>           | Internal  | 32B-BMA-000-G <b>XX</b> P- <b>XXX</b> | 32B-AMA-000-G <b>XX</b> P- <b>XXX</b> |                                       |
|                                  | External  | 32B-BMB-000-G <b>XX</b> P- <b>XXX</b> | 32B-AMB-000-G <b>XX</b> P- <b>XXX</b> | 32B-GMB-000-G <b>XX</b> P- <b>XXX</b> |
| <b># 10-32</b>                   | Internal  | 32B-BMA-AAA-G <b>XX</b> P- <b>XXX</b> | 32B-AMA-AAA-G <b>XX</b> P- <b>XXX</b> |                                       |
|                                  | External  | 32B-BMB-AAB-G <b>XX</b> P- <b>XXX</b> | 32B-AMB-AAB-G <b>XX</b> P- <b>XXX</b> | 32B-GMB-AAB-G <b>XX</b> P- <b>XXX</b> |
| <b>1/4" O.D. Tube receptacle</b> | Internal  | 32B-BMA-EAA-G <b>XX</b> P- <b>XXX</b> | 32B-AMA-EAA-G <b>XX</b> P- <b>XXX</b> |                                       |
|                                  | External  | 32B-BMB-EAB-G <b>XX</b> P- <b>XXX</b> | 32B-AMB-EAB-G <b>XX</b> P- <b>XXX</b> | 32B-GMB-EAB-G <b>XX</b> P- <b>XXX</b> |

Note : Above codes are for side port.

### STANDARD SOLENOID OPERATOR >

G **XX** P-**XXX**\*

| <b>XX</b> Voltage        | <b>X</b> Manual operator      | <b>XX</b> Electrical connection                        |
|--------------------------|-------------------------------|--|
| <b>AA</b> 120 VAC (2.5W) | <b>1</b> Non-locking recessed | <b>SA</b> Base plug-in                                 |
| <b>DA</b> 24 VDC (1.0W)  | <b>2</b> Locking recessed     | <b>SJ</b> Base plug-in with light                      |
| <b>DC</b> 24 VDC (1.8W)  |                               | <b>SS</b> Base plug-in with rectifier & light & ground |
| <b>DD</b> 24 VDC (2.5W)  |                               |  |
| <b>DF</b> 24 VDC (4.0W)  |                               |  |

Note : AC voltage requires connector with rectifier.

\* Other options available, see page 311.

Latching solenoid also available, see page 43.

Washdown capability is possible, consult factory for modification number.

- 48
- 400
- 92
- 93
- ISO 01
- ISO 02
- ISO 1
- ISO 2
- ISO 3

### OPTIONS

Pilot/Base Configuration :

32B-**xMx-xAx-GXX**P-**XXX**

- A** Individual base – Side port
- B** Individual base – Bottom port
- M** Pilot exhaust muffled
- P** Pilot exhaust piped (# 10-32)
- U** Pilot exhaust to main exhaust (not available with external pilot)

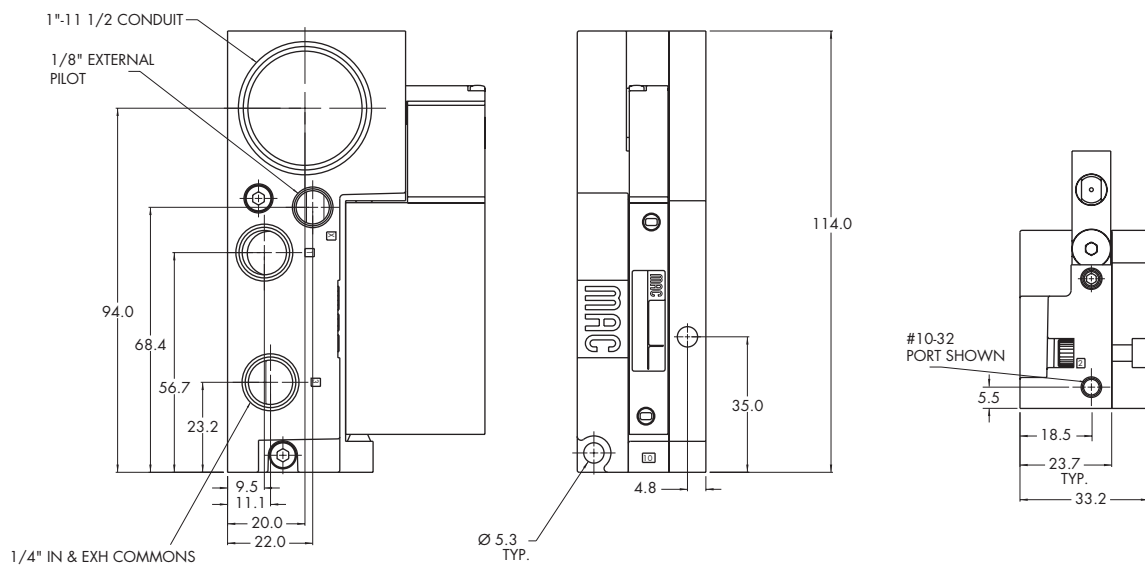
**TECHNICAL DATA**

|   |   |
|---|---|
| <b>Fluid :</b>                              | Compressed air, vacuum, inert gases   |
| <b>Pressure range :</b>                     | Internal Pilot : 20 to 120 PSI<br>External Pilot : Vacuum to 120 PSI                    |
| <b>Pilot pressure :</b>                     | 20 to 120 PSI   |
| <b>Lubrication :</b>                        | Not required, if used select a medium aniline point lubricant (between 180°F and 210°F) |
| <b>Filtration :</b>                         | 40 μ  |
| <b>Temperature range :</b>                  | 0°F to 120°F (-18°C to +50°C)   |
| <b>Flow :</b>                               | # 10-32 : (0.35 C <sub>v</sub> ) - 1/4 tube receptacle : (0.40 C <sub>v</sub> )         |
| <b>Coil :</b>                               | Class A continuous duty, #22 AWG x 12 base leads  |
| <b>Voltage range :</b>                      | -15% to +10% of nominal voltage   |
| <b>Power :</b>                              | 1.0 to 4.0 W  |
| <b>Response times :<br/>(with 4 W coil)</b> | Energize : 5 ms<br>De-energize : 5 ms   |

Options :                   • M5 port • M7 port • 6 mm O.D. tube receptacle

**DIMENSIONS**

Dimensions shown are metric (mm)



| Function         | Port size                                      | Flow [Max]               | Individual mounting         | Series |
|------------------|--|--------------------------|-----------------------------|--------|
| <b>3/2 NO-NC</b> | <b># 10-32 -<br/>1/4" O.D. tube receptacle</b> | <b>0.4 C<sub>v</sub></b> | Manifold base non "plug-in" |        |

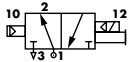
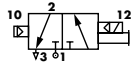
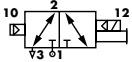
### OPERATIONAL BENEFITS

1. 3-way valve with 4-way integral pilot.
2. 10 mm valve (stacks on 10.5 mm centers).
3. High flow (up to 0.4 C<sub>v</sub>).
4. Fast, repeatable response times.
5. Maximum shifting forces in both directions.



33  
34  
36  
**32**  
37  
38  
52  
67  
69  
44  
46  
42  
47  
48P

### HOW TO ORDER

| Port size                        | Pilot air | NO valve  | NC valve  | Universal valve   |
|----------------------------------|-----------|---|---|---|
|                                  |           |  |  |  |
| <b>Valve less base</b>           | Internal  | 32B-BMA-000-G <b>XXX-XXX</b>  | 32B-AMA-000-G <b>XXX-XXX</b>  |   |
|                                  | External  | 32B-BMB-000-G <b>XXX-XXX</b>  | 32B-AMB-000-G <b>XXX-XXX</b>  | 32B-GMB-000-G <b>XXX-XXX</b>  |
| <b># 10-32</b>                   | Internal  | 32B-BMA-AJL-G <b>XXX-XXX</b>  | 32B-AMA-AJL-G <b>XXX-XXX</b>  |   |
|                                  | External  | 32B-BMB-AJM-G <b>XXX-XXX</b>  | 32B-AMB-AJM-G <b>XXX-XXX</b>  | 32B-GMB-AJM-G <b>XXX-XXX</b>  |
| <b>1/4" O.D. Tube receptacle</b> | Internal  | 32B-BMA-EJL-G <b>XXX-XXX</b>  | 32B-AMA-EJL-G <b>XXX-XXX</b>  |   |
|                                  | External  | 32B-BMB-EJM-G <b>XXX-XXX</b>  | 32B-AMB-EJM-G <b>XXX-XXX</b>  | 32B-FMB-EJM-G <b>XXX-XXX</b>  |

Note : Above codes are for side port.

### STANDARD SOLENOID OPERATOR >

G **XXX-XXX**\*

| XX Voltage               | X Wire length | X Manual operator             | XX Electrical connection                                     |
|--------------------------|---------------|-------------------------------|--|
| <b>AA</b> 120 VAC (2.5W) | <b>A</b> 18"  | <b>1</b> Non-locking recessed | <b>BA</b> Flying leads                                       |
| <b>DA</b> 24 VDC (1.0W)  | <b>B</b> 24"  | <b>2</b> Locking recessed     | <b>BT</b> Flying leads with light                            |
| <b>DC</b> 24 VDC (1.8W)  | <b>C</b> 36"  |                               | <b>GA</b> MAC JAC Solenoid plug-in                           |
| <b>DD</b> 24 VDC (2.5W)  |               |                               | <b>GB</b> MAC JAC Solenoid plug-in w/Diode                   |
| <b>DF</b> 24 VDC (4.0W)  |               |                               | <b>GC</b> MAC JAC Solenoid plug-in w/MOV                     |
|                          |               |                               | <b>GD</b> MAC JAC Solenoid plug-in w/LED                     |
|                          |               |                               | <b>GE</b> MAC JAC Solenoid plug-in w/Diode & LED             |
|                          |               |                               | <b>GF</b> MAC JAC Solenoid plug-in w/MOV & LED               |
|                          |               |                               | <b>GG</b> MAC JAC Solenoid plug-in w/Rectifier               |
|                          |               |                               | <b>GH</b> MAC JAC Solenoid plug-in w/Rectifier & LED         |
|                          |               |                               | <b>KA</b> Plug-in wire Assy.                                 |
|                          |               |                               | <b>KT</b> Plug-in wire Assy. with light                      |
|                          |               |                               | <b>KD</b> Plug-in wire Assy. with rectifier & light & ground |

48  
400  
92  
93  
ISO 01  
ISO 02  
ISO 1  
ISO 2  
ISO 3

Note : AC voltage requires connector with rectifier.

\* Other options available, see page 311.

Latching solenoid also available, see page 41.

With MAC JAC electrical connector washdown capability is possible.

Consult factory for modification number.

### OPTIONS

Base only :

32B-000-**XXX**  
(i.e. 32B-000-AJL)

Base/Pilot Configuration :

32B-**xMx-Jx-GXXX-XXX**

- J** Manifold base – Side port
- K** Manifold base – Bottom port
- M** Pilot exhaust muffled
- P** Pilot exhaust piped (# 10-32)
- U** Pilot exhaust to main exhaust (not available with external pilot)

Note : Manifold assemblies require an end plate kit :  
M-32003-01-01 (Internal pilot)  
M-32003-02-01 (External pilot)



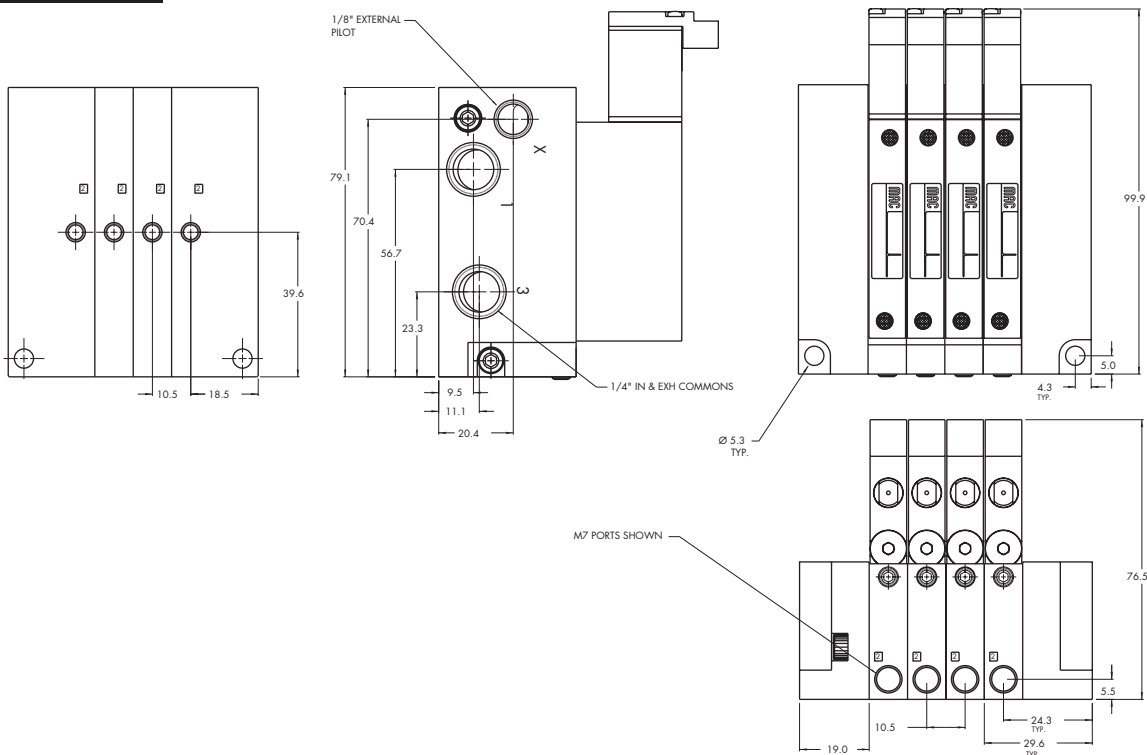
**TECHNICAL DATA**

|   |   |
|---|---|
| <b>Fluid :</b>                              | Compressed air, vacuum, inert gases   |
| <b>Pressure range :</b>                     | Internal Pilot : 20 to 120 PSI<br>External Pilot : Vacuum to 120 PSI                    |
| <b>Pilot pressure :</b>                     | 20 to 120 PSI   |
| <b>Lubrication :</b>                        | Not required, if used select a medium aniline point lubricant (between 180°F and 210°F) |
| <b>Filtration :</b>                         | 40 μ  |
| <b>Temperature range :</b>                  | 0°F to 120°F (-18°C to +50°C)   |
| <b>Flow :</b>                               | # 10-32 : (0.35 C <sub>v</sub> ) - 1/4 tube receptacle : (0.40 C <sub>v</sub> )         |
| <b>Coil :</b>                               | Class A wire (#22 AWG x 18), continuous duty  |
| <b>Voltage range :</b>                      | -15% to +10% of nominal voltage   |
| <b>Power :</b>                              | 1.0 to 4.0 W  |
| <b>Response times :<br/>(with 4 W coil)</b> | Energize : 5 ms<br>De-energize : 5 ms   |

- Options :
- M5 port • M7 port • 6 mm O.D. tube receptacle
  - Inlet/Exhaust Isolator : 28454

**DIMENSIONS**

Dimensions shown are metric (mm)



| Function         | Port size                                      | Flow [Max]               | Individual mounting        | Series |
|------------------|--|--------------------------|----------------------------|--------|
| <b>3/2 NO-NC</b> | <b># 10-32 -<br/>1/4" O.D. tube receptacle</b> | <b>0.4 C<sub>v</sub></b> | Manifold base<br>"plug-in" |        |

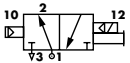
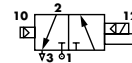
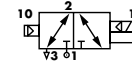
### OPERATIONAL BENEFITS

1. 3-way valve with 4-way integral pilot.
2. 10 mm valve (stacks on 10.5 mm centers).
3. High flow (up to 0.4 C<sub>v</sub>).
4. Fast, repeatable response times.
5. Maximum shifting forces in both directions.



33  
34  
36  
32  
37  
38  
52  
67  
69  
44  
46  
42  
47  
48P

### HOW TO ORDER

| Port size                        | Pilot air | NO valve  | NC valve  | Universal valve   |
|----------------------------------|-----------|---|---|---|
|                                  |           |  |  |  |
| <b>Valve less base</b>           | Internal  | 32B-BMA-000-G <b>XX</b> P- <b>XXX</b>   | 32B-AMA-000-G <b>XX</b> P- <b>XXX</b>   |   |
|                                  | External  | 32B-BMB-000-G <b>XX</b> P- <b>XXX</b>   | 32B-AMB-000-G <b>XX</b> P- <b>XXX</b>   | 32B-GMB-000-G <b>XX</b> P- <b>XXX</b>   |
| <b># 10-32</b>                   | Internal  | 32B-BMA-AJA-G <b>XX</b> P- <b>XXX</b>   | 32B-AMA-AJA-G <b>XX</b> P- <b>XXX</b>   |   |
|                                  | External  | 32B-BMB-AJB-G <b>XX</b> P- <b>XXX</b>   | 32B-AMB-AJB-G <b>XX</b> P- <b>XXX</b>   | 32B-GMB-AJB-G <b>XX</b> P- <b>XXX</b>   |
| <b>1/4" O.D. Tube receptacle</b> | Internal  | 32B-BMA-EJA-G <b>XX</b> P- <b>XXX</b>   | 32B-AMA-EJA-G <b>XX</b> P- <b>XXX</b>   |   |
|                                  | External  | 32B-BMB-EJB-G <b>XX</b> P- <b>XXX</b>   | 32B-AMB-EJB-G <b>XX</b> P- <b>XXX</b>   | 32B-GMB-EJB-G <b>XX</b> P- <b>XXX</b>   |

Note : Above codes are for side port.

### STANDARD SOLENOID OPERATOR >

G **XX** P-**XXX**\*

| <b>XX</b> Voltage        | <b>X</b> Manual operator      | <b>XX</b> Electrical connection                        |
|--------------------------|-------------------------------|--|
| <b>AA</b> 120 VAC (2.5W) | <b>1</b> Non-locking recessed | <b>SA</b> Base plug-in                                 |
| <b>DA</b> 24 VDC (1.0W)  | <b>2</b> Locking recessed     | <b>SJ</b> Base plug-in with light                      |
| <b>DC</b> 24 VDC (1.8W)  |                               | <b>SS</b> Base plug-in with rectifier & light & ground |
| <b>DD</b> 24 VDC (2.5W)  |                               |  |
| <b>DF</b> 24 VDC (4.0W)  |                               |  |

Note : AC voltage requires connector with rectifier.

\* Other options available, see page 311.

Latching solenoid also available, see page 43.

Washdown capability is possible, consult factory for modification number.

48  
400  
92  
93  
ISO 01  
ISO 02  
ISO 1  
ISO 2  
ISO 3

### OPTIONS

Base only :

32B-000-**XXX**  
(i.e. 32B-000-AJA)

Base Configuration :

32B-**XXX-XJ**X-G**XX**P-**XXX**

- J** Manifold base – Side port
- K** Manifold base – Bottom port
- L** Left end manifold base – Side port
- M** Left end manifold base – Bottom port
- N** Right end manifold base – Side port
- P** Right end manifold base – Bottom port

Note : Manifold assemblies consist of (1) left end manifold, (1) right end manifold and middle station manifolds (options "J" or "K").

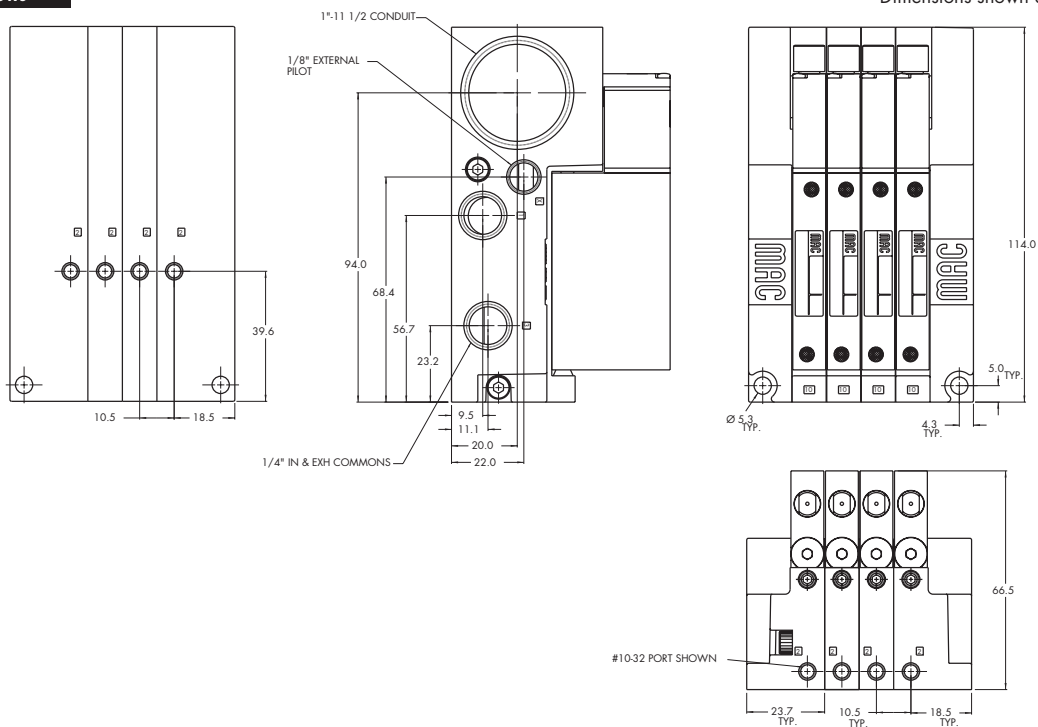
**TECHNICAL DATA**

|   |   |
|---|---|
| <b>Fluid :</b>                              | Compressed air, vacuum, inert gases   |
| <b>Pressure range :</b>                     | Internal Pilot : 20 to 120 PSI<br>External Pilot : Vacuum to 120 PSI                    |
| <b>Pilot pressure :</b>                     | 20 to 120 PSI   |
| <b>Lubrication :</b>                        | Not required, if used select a medium aniline point lubricant (between 180°F and 210°F) |
| <b>Filtration :</b>                         | 40 μ  |
| <b>Temperature range :</b>                  | 0°F to 120°F (-18°C to +50°C)   |
| <b>Flow :</b>                               | # 10-32 : (0.35 C <sub>v</sub> ) - 1/4 tube receptacle : (0.40 C <sub>v</sub> )         |
| <b>Coil :</b>                               | Class A continuous duty, #22 AWG x 12 base leads  |
| <b>Voltage range :</b>                      | -15% to +10% of nominal voltage   |
| <b>Power :</b>                              | 1.0 to 4.0 W  |
| <b>Response times :<br/>(with 4 W coil)</b> | Energize : 5 ms<br>De-energize : 5 ms   |

- Options :
- M5 port • M7 port • 6 mm O.D. tube receptacle
  - Inlet/Exhaust Isolator : 28454

**DIMENSIONS**

Dimensions shown are metric (mm)





# Direct solenoid and solenoid pilot operated valves

| Function         | Port size                                      | Flow [Max]               | Individual mounting  | Series |
|------------------|--|--------------------------|--|--------|
| <b>3/2 NO-NC</b> | <b># 10-32 -<br/>1/4" O.D. tube receptacle</b> | <b>0.4 C<sub>v</sub></b> | Sub-base/<br>manifold base<br>non "plug-in"<br>with latching<br>solenoid |        |

### OPERATIONAL BENEFITS

1. 3-way valve with 4-way integral pilot.
2. 10 mm valve (stacks on 10.5 mm centers).
3. High flow (up to 0.4 C<sub>v</sub>).
4. Fast, repeatable response times.
5. Maximum shifting forces in both directions.



- 33
- 34
- 36
- 32**
- 37
- 38
- 52
- 67
- 69
- 44
- 46
- 42
- 47
- 48P

### HOW TO ORDER

| Port size              | Pilot air | NO valve             | NC valve             |
|------------------------|-----------|----------------------|----------------------|
|                        |           |                      |                      |
| <b>Valve less base</b> | Internal  | 32A-BMA-000-Lxxx-xxx | 32A-AMA-000-Lxxx-xxx |
|                        | External  | 32A-BMB-000-Lxxx-xxx | 32A-AMB-000-Lxxx-xxx |
| <b># 10-32</b>         | Internal  | 32A-BMA-AAL-Lxxx-xxx | 32A-AMA-AAL-Lxxx-xxx |
|                        | External  | 32A-BMB-AAM-Lxxx-xxx | 32A-AMB-AAM-Lxxx-xxx |
| <b>1/4" O.D.</b>       | Internal  | 32A-BMA-EAL-Lxxx-xxx | 32A-AMA-EAL-Lxxx-xxx |
| <b>Tube receptacle</b> | External  | 32A-BMB-EAM-Lxxx-xxx | 32A-AMB-EAM-Lxxx-xxx |

Note : Above codes are for individual base and side port.

### LATCHING SOLENOID OPERATOR >

L **xxx-xxx\***

| XX Voltage               | X Wire length | X Manual operator    | XX Electrical connection**                                   |
|--------------------------|---------------|----------------------|--|
| <b>DF</b> 24 VDC (4.0W)  | <b>A</b> 18"  | <b>0</b> No operator | <b>BA</b> 2 Wire Flying leads                                |
| <b>HA</b> 24 VDC (1.95W) | <b>B</b> 24"  |                      | <b>BJ</b> 4 Wire Flying leads                                |
|                          | <b>C</b> 36"  |                      | <b>KA</b> 2 Wire Plug-in Assembly                            |
|                          |               |                      | <b>KE</b> 4 Wire Plug-in Assembly                            |
|                          |               |                      | <b>LA</b> 3 Wire plug-in assembly (Polarity Switching Cover) |

- 48
- 400
- 92
- 93

\* Other options available, see page 319.

\*\* Latching 32 series with non plug-in base configuration must use "B", "K" or "L" type electrical connector.

### OPTIONS

Pilot/Base Configuration :

32A-xMx-xAx-Lxxx-xxx

- A** Individual base – Side port
- B** Individual base – Bottom port
- J** Manifold base – Side port
- K** Manifold base – Bottom port
- M** Pilot exhaust muffled
- P** Pilot exhaust piped (# 10-32)
- U** Pilot exhaust to main exhaust (not available with external pilot)

Note : Manifold assemblies require an end plate kit: M-32003-01-01 (internal pilot)  
M-32003-02-01 (external pilot)

- ISO 01
- ISO 02
- ISO 1
- ISO 2
- ISO 3

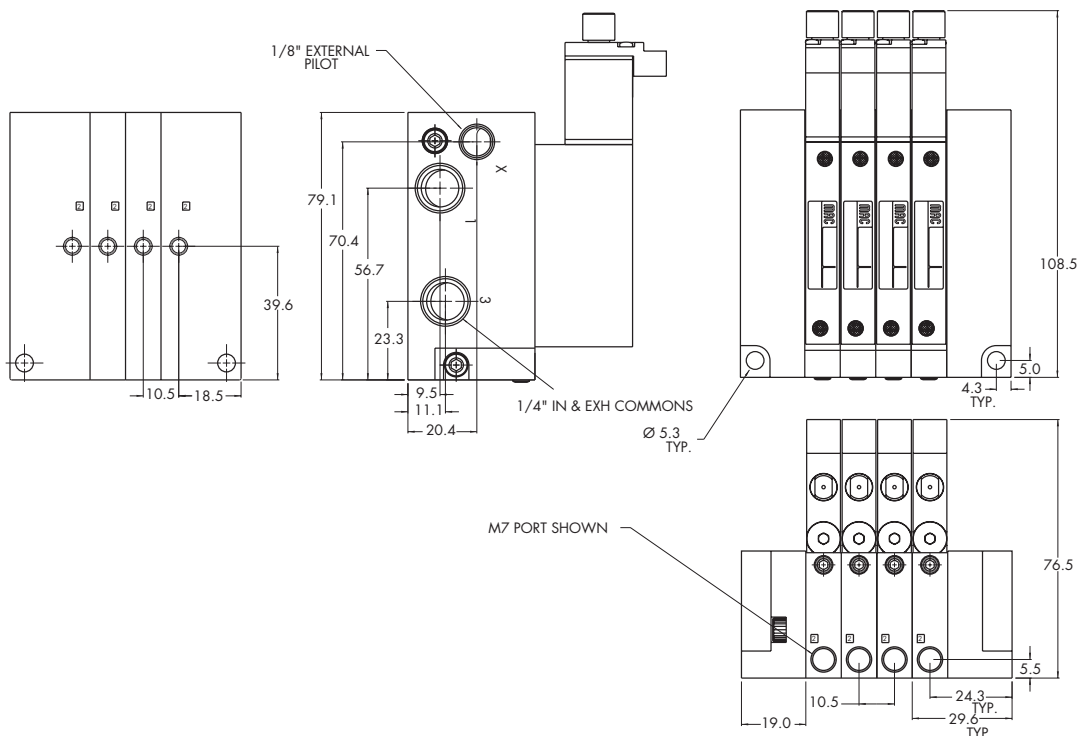
**TECHNICAL DATA**

|   |   |
|---|---|
| <b>Fluid :</b>                              | Compressed air, vacuum, inert gases   |
| <b>Pressure range :</b>                     | Internal Pilot : 20 to 120 PSI<br>External Pilot : Vacuum to 120 PSI                    |
| <b>Pilot pressure :</b>                     | 20 to 120 PSI   |
| <b>Lubrication :</b>                        | Not required, if used select a medium aniline point lubricant (between 180°F and 210°F) |
| <b>Filtration :</b>                         | 40 μ  |
| <b>Temperature range :</b>                  | 0°F to 120°F (-18°C to +50°C)   |
| <b>Flow :</b>                               | # 10-32 : (0.35 C <sub>v</sub> ) - 1/4 tube receptacle : (0.40 C <sub>v</sub> )         |
| <b>Coil :</b>                               | Class A wire (#22 AWG x 18), continuous duty  |
| <b>Voltage range :</b>                      | -15% to +10% of nominal voltage   |
| <b>Power :</b>                              | 1.95 to 4.0 W   |
| <b>Response times :<br/>(with 4 W coil)</b> | Energize : 5 ms<br>De-energize : 5 ms   |

Options : • M5 port • M7 port • 6 mm O.D. tube receptacle

**DIMENSIONS**

Dimensions shown are metric (mm)



| Function         | Port size                                      | Flow [Max]               | Individual/Manifold mounting   | Series |
|------------------|--|--------------------------|--|--------|
| <b>3/2 NO-NC</b> | <b># 10-32 -<br/>1/4" O.D. tube receptacle</b> | <b>0.4 C<sub>v</sub></b> | Sub-base/<br>manifold base<br>"plug-in"<br>with latching<br>solenoid |        |

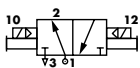
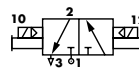
### OPERATIONAL BENEFITS

1. 3-way valve with 4-way integral pilot.
2. 10 mm valve (stacks on 10.5 mm centers).
3. High flow (up to 0.4 C<sub>v</sub>).
4. Fast, repeatable response times.
5. Maximum shifting forces in both directions.



33  
34  
36  
32  
37  
38  
52  
67  
69  
44  
46  
42  
47  
48P

### HOW TO ORDER

| Port size              | Pilot air | NO valve  | NC valve  |
|------------------------|-----------|---|---|
|                        |           |  |  |
| <b>Valve less base</b> | Internal  | 32A-BMA-000-LxxP-xxx  | 32A-AMA-000-LxxP-xxx  |
|                        | External  | 32A-BMB-000-LxxP-xxx  | 32A-AMB-000-LxxP-xxx  |
| <b># 10-32</b>         | Internal  | 32A-BMA-AAA-LxxP-xxx  | 32A-AMA-AAA-LxxP-xxx  |
|                        | External  | 32A-BMB-AAB-LxxP-xxx  | 32A-AMB-AAB-LxxP-xxx  |
| <b>1/4" O.D.</b>       | Internal  | 32A-BMA-EAA-LxxP-xxx  | 32A-AMA-EAA-LxxP-xxx  |
| <b>Tube receptacle</b> | External  | 32A-BMB-EAB-LxxP-xxx  | 32A-AMB-EAB-LxxP-xxx  |

Note : Above codes are for individual base and side port.

### LATCHING SOLENOID OPERATOR >

L **XX** P-**XXX**\*

| <b>XX Voltage</b>        | <b>X Manual operator</b> | <b>XX Electrical connection**</b>                                |
|--------------------------|--------------------------|--|
| <b>DF</b> 24 VDC (4.0W)  | <b>0</b> No operator     | <b>DA</b> Base/Manifold Plug-in                                  |
| <b>HA</b> 24 VDC (1.95W) |                          | <b>DB</b> Base/Manifold Plug-in w/ Ground                        |
|                          |                          | <b>DC</b> Base/Manifold Plug-in w/ Light                         |
|                          |                          | <b>DD</b> Base/Manifold Plug-in w/ Light and Ground              |
|                          |                          | <b>EA</b> Base/Manifold Plug-in 3 Pin (Polarity Switching Cover) |

48  
400  
92  
93

\* Other options available, see page 319.

\*\*2 and 4 wire base must use "D" type electrical connector, 3 wire base must use "EA" type electrical connector.

### OPTIONS

Pilot/Manifold/Base Configuration :

32A-**xMx-xAx**-LxxP-xxx

- A** Individual base – Side port
- B** Individual base – Bottom port
- J** Manifold base – Side port
- K** Manifold base – Bottom port
- L** Left end manifold base – Side port
- M** Left end manifold base – Bottom port
- N** Right end manifold base – Side port
- P** Right end manifold base – Bottom port
- M** Pilot exhaust muffled
- P** Pilot exhaust piped (#10-32)
- U** Pilot exhaust to main exhaust (not available with external pilot)

Manifold/Base Int./Ext. Pilot : (wire options)

32A-**xMx-xxA**-LxxP-xxx

- A** Plug-In Int. Pilot (2 Wire)\*\*
- B** Plug-In Ext. Pilot (2 Wire)\*\*
- C** Plug-In Int. Pilot (3 Wire)\*\*
- D** Plug-In Ext. Pilot (3 Wire)\*\*
- E** Plug-In Int. Pilot (4 Wire)\*\*
- F** Plug-In Ext. Pilot (4 Wire)\*\*

ISO 01  
ISO 02  
ISO 1  
ISO 2  
ISO 3

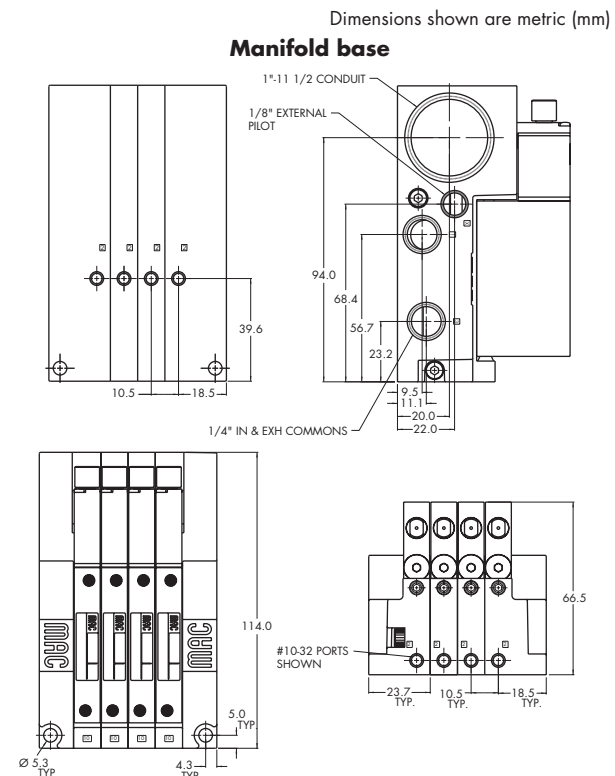
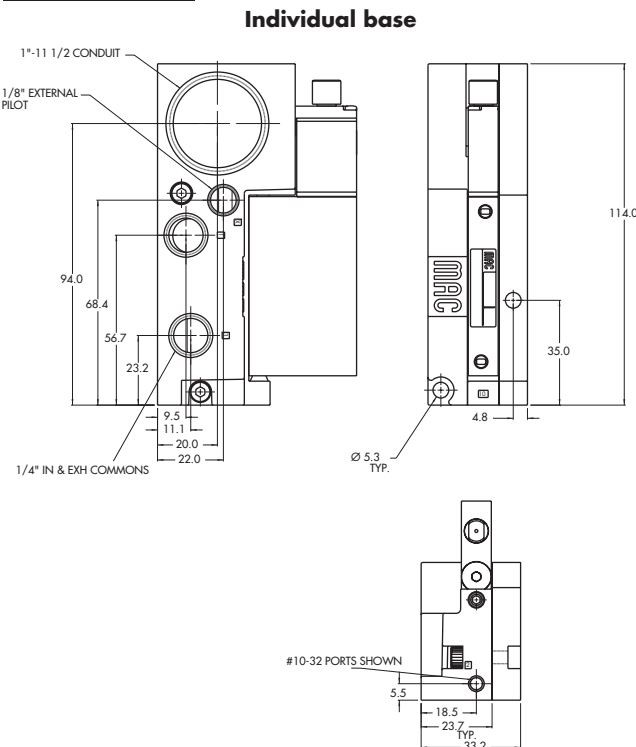
Note : Manifold assemblies consist of (1) left end manifold, (1) right end manifold, and middle station manifolds (option J or K).

**TECHNICAL DATA**

|   |   |
|---|---|
| <b>Fluid :</b>                              | Compressed air, vacuum, inert gases   |
| <b>Pressure range :</b>                     | Internal Pilot : 20 to 120 PSI<br>External Pilot : Vacuum to 120 PSI                    |
| <b>Pilot pressure :</b>                     | 20 to 120 PSI   |
| <b>Lubrication :</b>                        | Not required, if used select a medium aniline point lubricant (between 180°F and 210°F) |
| <b>Filtration :</b>                         | 40 μ  |
| <b>Temperature range :</b>                  | 0°F to 120°F (-18°C to +50°C)   |
| <b>Flow :</b>                               | # 10-32 : (0.35 C <sub>v</sub> ) - 1/4 tube receptacle : (0.40 C <sub>v</sub> )         |
| <b>Coil :</b>                               | Class A continuous duty, #22 AWG x 12 base leads  |
| <b>Voltage range :</b>                      | -15% to +10% of nominal voltage   |
| <b>Power :</b>                              | 1.95 to 4.0 W   |
| <b>Response times :<br/>(with 4 W coil)</b> | Energize : 5 ms<br>De-energize : 5 ms   |

Options : • M5 port • M7 port • 6 mm O.D. tube receptacle

**DIMENSIONS**



Individual mounting

|        |                      |
|--------|----------------------|
| Inline | Sub-base non plug-in |
|--------|----------------------|

Series

33

34

36

32

**37**

38

52

67

69

44

46

46

42

42

47

48P

48

48

400

400

92

92

92

93

93

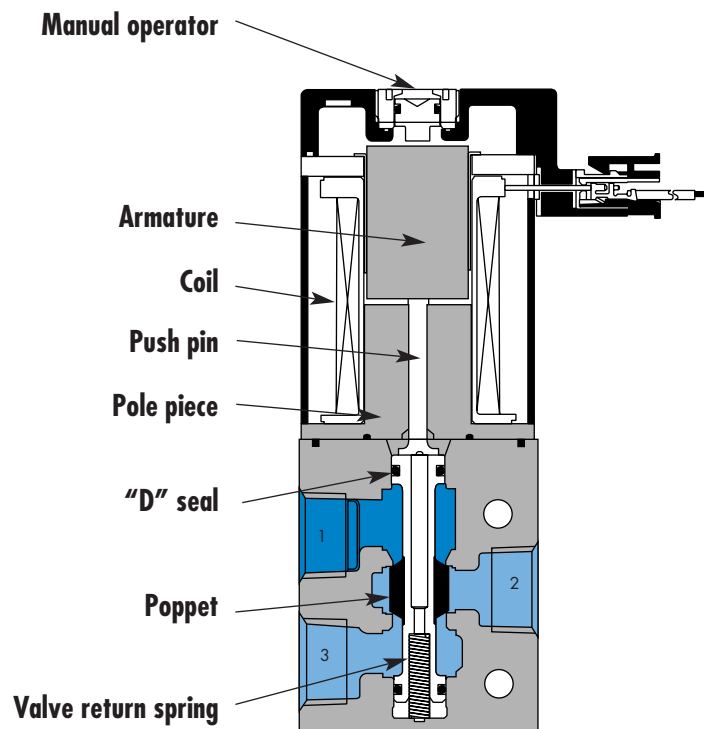
ISO 01

ISO 02

ISO 1

ISO 2

ISO 3



**SERIES FEATURES**

- Balanced poppet equals consistent high shifting forces.
- Valve shifting forces are consistent and independent of pressure fluctuations.
- High solenoid and return spring forces ensure high speed and precise repeatability.
- Built-in wear compensation - valve stroke is shorter than solenoid stroke.
- Constant high flow maintained throughout the pressure range.
- Exhaust contaminants are isolated from the solenoid.
- Full flow exhaust.
- Universal porting - 6 functions in one valve.

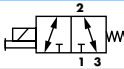
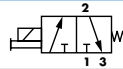


| Function         | Port size          | Flow [Max]               | Individual mounting | Series |
|------------------|--------------------|--------------------------|---------------------|--------|
| <b>3/2 NO-NC</b> | <b>1/8" - 1/4"</b> | <b>0.5 C<sub>v</sub></b> | Inline              |        |

**OPERATIONAL BENEFITS**

- Balanced poppet equals consistent high shifting forces.
- Valve shifting forces are consistent and independent of pressure fluctuations.
- High solenoid and return spring forces ensure high speed and precise repeatability.
- Built-in wear compensation – valve stroke is shorter than solenoid stroke.
- Constant high flow maintained throughout the pressure range.
- Exhaust contaminants are isolated from the solenoid.
- Full flow exhaust.
- Universal porting – 6 functions in one valve.

**HOW TO ORDER**

| Port size        | Universal valve   | NC only valve   |
|------------------|---|---|
|                  |  |  |
| <b>1/8" NPTF</b> | 37A-AA0-H <b>XXX-XXX</b>  | 37A-BA0-H <b>XXX-XXX</b>  |
| <b>1/4" NPTF</b> | 37A-AB0-H <b>XXX-XXX</b>  | 37A-BB0-H <b>XXX-XXX</b>  |



SOLENOID OPERATOR ►

H **XXX-XXX\***

| XX | Voltage        | X | Wire length | X | Manual operator      | XX | Electrical connection**                      |
|----|----------------|---|-------------|---|----------------------|----|--|
| AA | 120 VAC (6.7W) | A | 18"         | 1 | Non-locking recessed | MA | Plug-in wire assembly                        |
| DA | 24 VDC (5.2W)  | B | 24"         | 2 | Locking recessed     | MC | Plug-in wire assembly with light             |
| DB | 24 VDC (2.4W)  |   |             |   |                      | BA | Flying leads                                 |
| DC | 24 VDC (1.8W)  |   |             |   |                      | BC | Flying leads with light                      |
|    |                |   |             |   |                      | MT | Plug-in wire assembly with rectifier & light |

Note : AC voltage requires connector with rectifier.

\* Other options available, see page 315.

33

34

36

32

**37**

38

52

67

69

44

46

42

47

48P

48

400

92

93

ISO 01

ISO 02

ISO 1

ISO 2

ISO 3

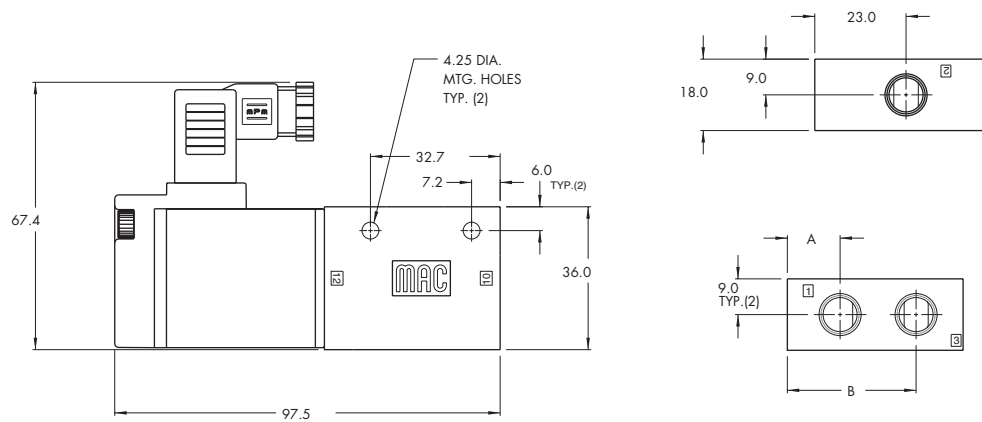
**TECHNICAL DATA**

|   |   |
|---|---|
| <b>Fluid :</b>                                | Compressed air, vacuum, inert gases   |
| <b>Pressure range :</b>                       | Vacuum to 120 PSI   |
| <b>Lubrication :</b>                          | Not required, if used select a medium aniline point lubricant (between 180°F and 210°F) |
| <b>Filtration :</b>                           | 40 μ  |
| <b>Temperature range :</b>                    | 0°F to 120°F (-18°C to +50°C)   |
| <b>Flow :</b>                                 | 5.2 W : (0.5 C <sub>v</sub> ) – 2.4 W : (0.35 C <sub>v</sub> )                          |
| <b>Coil :</b>                                 | Class A wire (#22 AWG x 18), continuous duty  |
| <b>Voltage range :</b>                        | -15% to +10% of nominal voltage   |
| <b>Power :</b>                                | 5.2 W – 2.4 W   |
| <b>Response times :<br/>(with 5.2 W coil)</b> | Energize : 16.9 ms<br>De-energize : 6.7 ms  |

Options : • BSPP ports

**DIMENSIONS**

Dimensions shown are metric (mm)



Shown with Mini Square Connector ("K" Type)

| Dim  | A    | B     |
|------|------|-------|
| 1/8" | 13.3 | 32.45 |
| 1/4" | 14.7 | 33.7  |

| Function         | Port size          | Flow [Max]               | Individual mounting  | Series |
|------------------|--------------------|--------------------------|----------------------|--------|
| <b>3/2 NO-NC</b> | <b>1/8" - 1/4"</b> | <b>0.5 C<sub>v</sub></b> | Sub-base non plug-in |        |

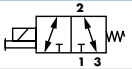
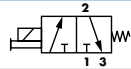
**OPERATIONAL BENEFITS**

1. Balanced poppet equals consistent high shifting forces.
2. Valve shifting forces are consistent and independent of pressure fluctuations.
3. High solenoid and return spring forces ensure high speed and precise repeatability.
4. Built-in wear compensation – valve stroke is shorter than solenoid stroke.
5. Constant high flow maintained throughout the pressure range.
6. Exhaust contaminants are isolated from the solenoid.
7. Full flow exhaust.
8. Universal porting – 6 functions in one valve.



33  
34  
36  
32  
**37**  
38  
52  
67  
69  
44  
46  
42  
47  
48P  
48  
400  
92  
93  
ISO 01  
ISO 02  
ISO 1  
ISO 2  
ISO 3

**HOW TO ORDER**

| Port size              | Universal valve   | NC only valve   |
|------------------------|---|---|
|                        |  |  |
| <b>Valve less base</b> | 37A-C10-H <b>XXX-XXX</b>  | 37A-D10-H <b>XXX-XXX</b>  |
| <b>1/8" NPTF</b>       | 37A-CAA-H <b>XXX-XXX</b>  | 37A-DAA-H <b>XXX-XXX</b>  |
| <b>1/4" NPTF</b>       | 37A-CBA-H <b>XXX-XXX</b>  | 37A-DBA-H <b>XXX-XXX</b>  |

SOLENOID OPERATOR >

H **XXX-XXX\***

| XX | Voltage        | X | Wire length | X | Manual operator      | XX | Electrical connection                        |
|----|----------------|---|-------------|---|----------------------|----|--|
| AA | 120 VAC (6.7W) | A | 18"         | 1 | Non-locking recessed | MA | Plug-in wire assembly                        |
| DA | 24 VDC (5.2W)  | B | 24"         | 2 | Locking recessed     | MC | Plug-in wire assembly with light             |
| DB | 24 VDC (2.4W)  |   |             |   |                      | BA | Flying leads                                 |
| DC | 24 VDC (1.8W)  |   |             |   |                      | BC | Flying leads with light                      |
|    |                |   |             |   |                      | MT | Plug-in wire assembly with rectifier & light |

Note : AC voltage requires connector with rectifier.  
\* Other options available, see page 315.

**OPTIONS**

Base only :

|                |
|----------------|
| 37A-OAA (1/8") |
| 37A-OBA (1/4") |

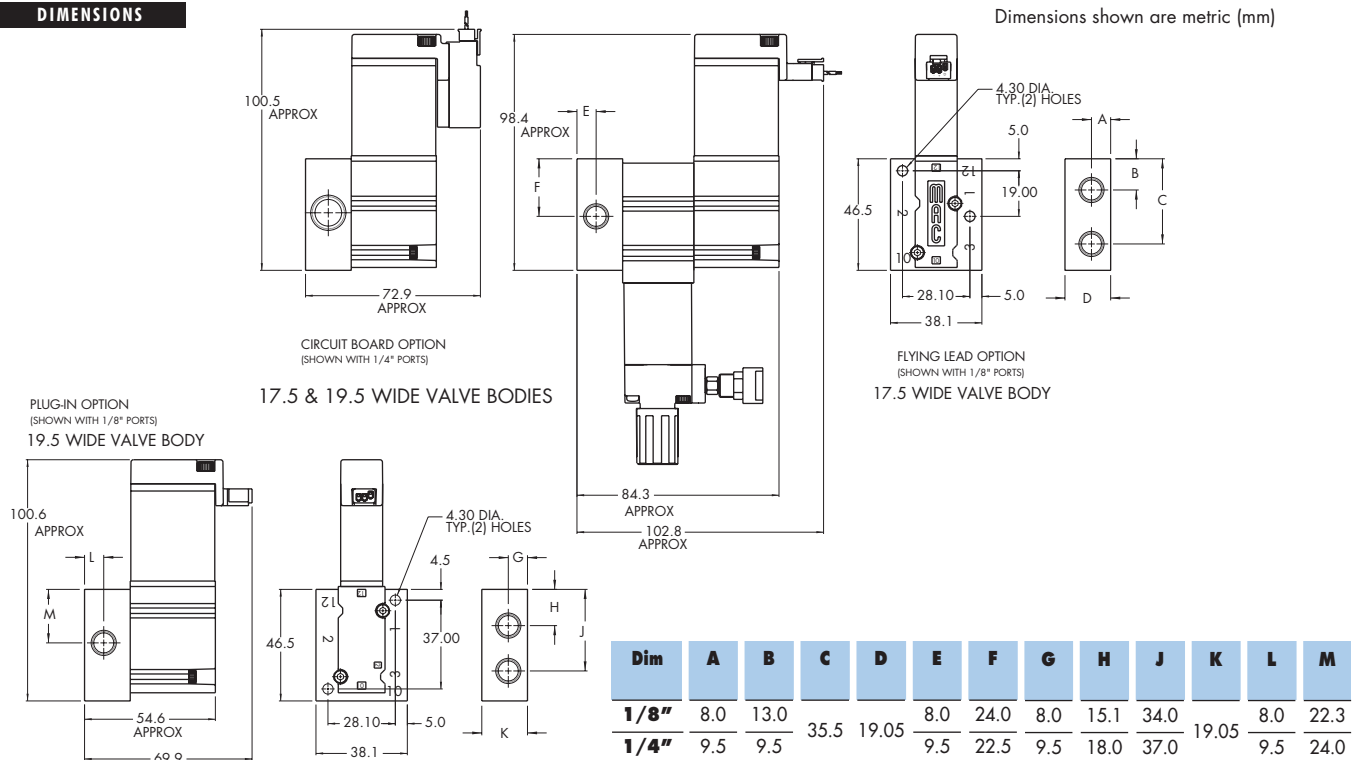
**TECHNICAL DATA**

|  |   |
|--|---|
| <b>Fluid :</b>                               | Compressed air, vacuum, inert gases   |
| <b>Pressure range :</b>                      | Vacuum to 120 PSI   |
| <b>Lubrication :</b>                         | Not required, if used select a medium aniline point lubricant (between 180°F and 210°F) |
| <b>Filtration :</b>                          | 40 μ  |
| <b>Temperature range :</b>                   | 0°F to 120°F (-18°C to +50°C)   |
| <b>Flow :</b>                                | 5.2 W : (0.5 C <sub>v</sub> ) – 2.4 W : (0.35 C <sub>v</sub> )                          |
| <b>Coil :</b>                                | Class A wire (#22 AWG x 18), continuous duty  |
| <b>Voltage range :</b>                       | -15% to +10% of nominal voltage   |
| <b>Power :</b>                               | 5.2 W – 2.4 W   |
| <b>Response times :</b><br>(with 5.2 W coil) | Energize : 16.9 ms<br>De-energize : 6.7 ms  |

Options : • BSPP ports • Sandwich regulator - see "Regulator" Section

**DIMENSIONS**

Dimensions shown are metric (mm)



Individual mounting

|                        |                    |   |   |
|------------------------|--------------------|---|---|
| Sub-base non "plug-in" | Sub-base "plug-in" | Sub-base/manifold base non "plug-in" with latching solenoid | Sub-base/manifold base "plug-in" with latching solenoid |
|------------------------|--------------------|---|---|

Manifold mounting

|                         |   |   |
|-------------------------|---|---|
| Manifold base "plug-in" | Sub-base/manifold base non "plug-in" with latching solenoid | Sub-base/manifold base "plug-in" with latching solenoid |
|-------------------------|---|---|

Series

33

34

36

32

37

**38**

52

67

69

44

46

42

47

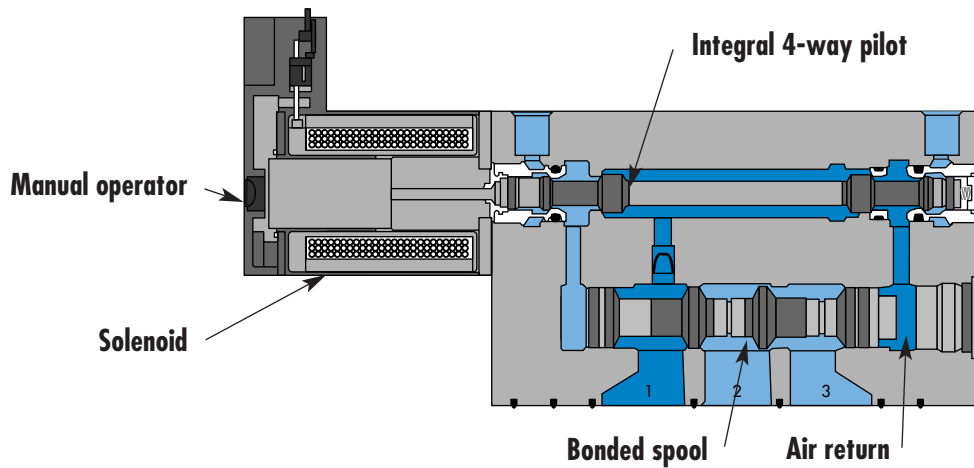
48P

48

400

92

93



**SERIES FEATURES**

- High force MACSOLENOID®.
- Integral 4-way pilot design.
- Internal or external pilot.
- Normally open or normally closed function.
- Universal function (external pilot).
- Rectified AC voltage.
- Latching solenoid technology.

ISO 01

ISO 02

ISO 1

ISO 2

ISO 3



# Direct solenoid and solenoid pilot operated valves

| Function         | Port size   | Flow [Max]    | Individual mounting    | Series |
|------------------|-------------|---------------|------------------------|--------|
| <b>3/2 NO-NC</b> | <b>1/8"</b> | <b>1.2 Cv</b> | Sub-base non "plug-in" |        |

### OPERATIONAL BENEFITS

1. 3-way valve with 4-way integral pilot.
2. 10 mm valve (stacks on 16.5 mm centers).
3. High flow (up to 1.2 Cv).
4. Fast, repeatable response times.
5. Maximum shifting forces in both directions.



33  
34  
36  
32  
37  
**38**

### HOW TO ORDER

| Port size              | Pilot air | NO valve                     | NC valve                     | Universal valve              |
|------------------------|-----------|------------------------------|------------------------------|------------------------------|
|                        |           |                              |                              |                              |
| <b>Valve less base</b> | Internal  | 38B-BMA-000-G <b>XXX-XXX</b> | 38B-AMA-000-G <b>XXX-XXX</b> |                              |
|                        | External  | 38B-BMB-000-G <b>XXX-XXX</b> | 38B-AMB-000-G <b>XXX-XXX</b> | 38B-GMB-000-G <b>XXX-XXX</b> |
| <b>1/8" NPTF</b>       | Internal  | 38B-BMA-AAL-G <b>XXX-XXX</b> | 38B-AMA-AAL-G <b>XXX-XXX</b> |                              |
|                        | External  | 38B-BMB-AAM-G <b>XXX-XXX</b> | 38B-AMB-AAM-G <b>XXX-XXX</b> | 38B-GMB-AAM-G <b>XXX-XXX</b> |

Note : Above codes are for side port.

### STANDARD SOLENOID OPERATOR >

G **XXX-XXX\***

| XX Voltage               | X Wire length | X Manual operator             | XX Electrical connection  |
|--------------------------|---------------|-------------------------------|---|
| <b>AA</b> 120 VAC (2.5W) | <b>A</b> 18"  | <b>1</b> Non-locking recessed | <b>BA</b> Flying leads  |
| <b>DA</b> 24 VDC (1.0W)  | <b>B</b> 24"  | <b>2</b> Locking recessed     | <b>BT</b> Flying leads with light                               |
| <b>DC</b> 24 VDC (1.8W)  | <b>C</b> 36"  |                               | <b>GA</b> MAC JAC Solenoid plug-in w/Diode                      |
| <b>DD</b> 24 VDC (2.5W)  |               |                               | <b>GB</b> MAC JAC Solenoid plug-in w/Rectifier                  |
| <b>DF</b> 24 VDC (4.0W)  |               |                               | <b>GC</b> MAC JAC Solenoid plug-in w/MOV                        |
|                          |               |                               | <b>GD</b> MAC JAC Solenoid plug-in w/LED                        |
|                          |               |                               | <b>GE</b> MAC JAC Solenoid plug-in w/Diode & LED                |
|                          |               |                               | <b>GF</b> MAC JAC Solenoid plug-in w/MOV & LED                  |
|                          |               |                               | <b>GG</b> MAC JAC Solenoid plug-in w/Rectifier                  |
|                          |               |                               | <b>GH</b> MAC JAC Solenoid plug-in w/Rectifier & LED            |
|                          |               |                               | <b>KA</b> Plug-in wire assembly                                 |
|                          |               |                               | <b>KT</b> Plug-in wire assembly with light                      |
|                          |               |                               | <b>KD</b> Plug-in wire assembly with rectifier & light & ground |

Note : AC voltage requires connector with rectifier.

\* Other options available, see page 311.

Latching solenoid also available, see page 59.

With MAC JAC electrical connector washdown capability is possible. Consult factory for modification number.

### OPTIONS

Pilot/Base Configuration :

38B-**M**-**X**-**A**-G**XXX-XXX**

- A** Individual base – Side port
- B** Individual base – Bottom port
- M** Pilot exhaust muffled
- P** Pilot exhaust piped (# 10-32)
- U** Pilot exhaust to main exhaust

67  
69  
44  
46  
42  
47  
48P

48

400

92

93

ISO 01

ISO 02

ISO 1

ISO 2

ISO 3

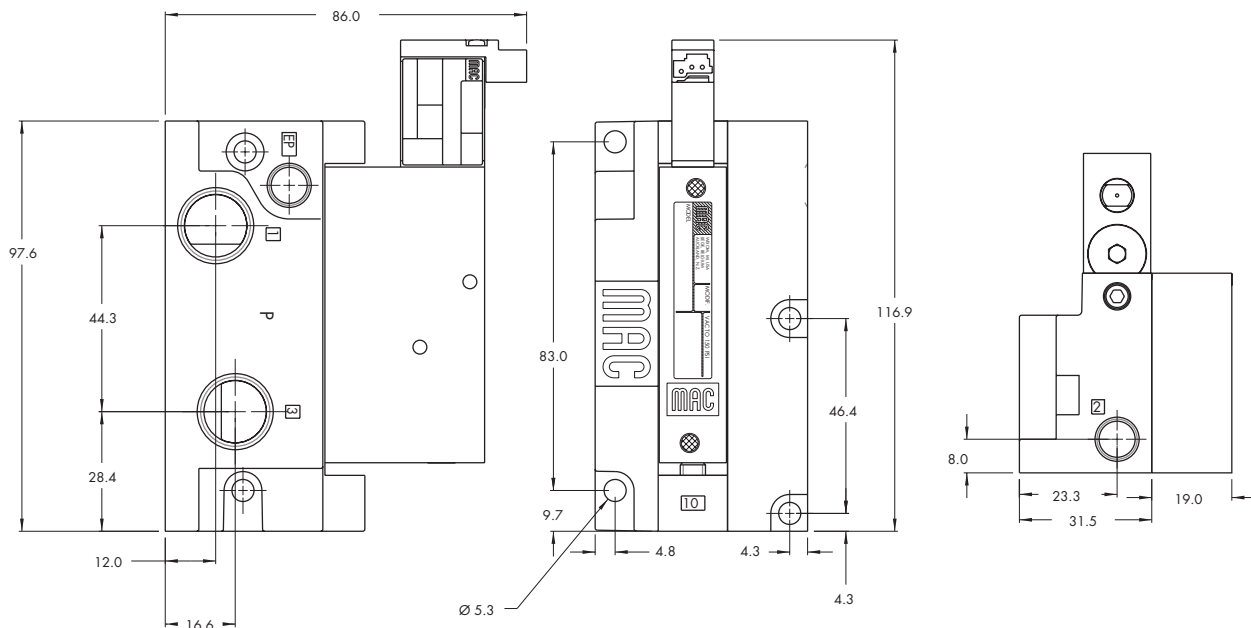
**TECHNICAL DATA**

|   |   |
|---|---|
| <b>Fluid :</b>                              | Compressed air, vacuum, inert gases   |
| <b>Pressure range :</b>                     | Internal Pilot : 20 to 120 PSI<br>External Pilot : Vacuum to 120 PSI                    |
| <b>Pilot pressure :</b>                     | 20 to 120 PSI   |
| <b>Lubrication :</b>                        | Not required, if used select a medium aniline point lubricant (between 180°F and 210°F) |
| <b>Filtration :</b>                         | 40 μ  |
| <b>Temperature range :</b>                  | 0°F to 120°F (-18°C to +50°C)   |
| <b>Flow :</b>                               | 1/8" bottom port: (1.2 C <sub>v</sub> ) - 1/8" side port: (1.0 C <sub>v</sub> )         |
| <b>Coil :</b>                               | Class A wire (#22 AWG x 18), continuous duty  |
| <b>Voltage range :</b>                      | -15% to +10% of nominal voltage   |
| <b>Power :</b>                              | 1.0 to 4.0 W  |
| <b>Response times :<br/>(with 4 W coil)</b> | Energize : 6 ms<br>De-energize : 6 ms   |

Options : • BSPP threads

**DIMENSIONS**

Dimensions shown are metric (mm)





# Direct solenoid and solenoid pilot operated valves

| Function         | Port size                                   | Flow [Max]               | Individual mounting   | Series |
|------------------|---|--------------------------|-----------------------|--------|
| <b>3/2 NO-NC</b> | <b>1/8" -<br/>1/4" O.D. tube receptacle</b> | <b>1.2 C<sub>v</sub></b> | Sub-base<br>"plug-in" |        |

### OPERATIONAL BENEFITS

1. 3-way valve with 4-way integral pilot.
2. 10 mm valve (stacks on 16.5 mm centers).
3. High flow (up to 1.2 C<sub>v</sub>).
4. Fast, repeatable response times.
5. Maximum shifting forces in both directions.



- 33
- 34
- 36
- 32
- 37
- 38**
- 52
- 67
- 69
- 44
- 46
- 42
- 47
- 48P

### HOW TO ORDER

| Port size                        | Pilot air | NO valve                              | NC valve                              | Universal valve                       |
|----------------------------------|-----------|---------------------------------------|---------------------------------------|---------------------------------------|
|                                  |           |                                       |                                       |                                       |
| <b>Valve less base</b>           | Internal  | 38B-BMA-000-G <b>XX</b> P- <b>XXX</b> | 38B-AMA-000-G <b>XX</b> P- <b>XXX</b> |                                       |
|                                  | External  | 38B-BMB-000-G <b>XX</b> P- <b>XXX</b> | 38B-AMB-000-G <b>XX</b> P- <b>XXX</b> | 38B-GMB-000-G <b>XX</b> P- <b>XXX</b> |
| <b>1/8" NPTF</b>                 | Internal  | 38B-BMA-AAA-G <b>XX</b> P- <b>XXX</b> | 38B-AMA-AAA-G <b>XX</b> P- <b>XXX</b> |                                       |
|                                  | External  | 38B-BMB-AAB-G <b>XX</b> P- <b>XXX</b> | 38B-AMB-AAB-G <b>XX</b> P- <b>XXX</b> | 38B-GMB-BAB-G <b>XX</b> P- <b>XXX</b> |
| <b>1/4" O.D. Tube receptacle</b> | Internal  | 38B-BMA-EAA-G <b>XX</b> P- <b>XXX</b> | 38B-AMA-EAA-G <b>XX</b> P- <b>XXX</b> |                                       |
|                                  | External  | 38B-BMB-EAB-G <b>XX</b> P- <b>XXX</b> | 38B-AMB-EAB-G <b>XX</b> P- <b>XXX</b> | 38B-GMB-EAB-G <b>XX</b> P- <b>XXX</b> |

Note : Above codes are for side port.

### STANDARD SOLENOID OPERATOR >

G **XX** P-**XXX**\*

| <b>XX</b> Voltage        | <b>X</b> Manual operator      | <b>XX</b> Electrical connection                        |
|--------------------------|-------------------------------|--|
| <b>AA</b> 120 VAC (2.5W) | <b>1</b> Non-locking recessed | <b>SA</b> Base plug-in                                 |
| <b>DA</b> 24 VDC (1.0W)  | <b>2</b> Locking recessed     | <b>SJ</b> Base plug-in with light                      |
| <b>DC</b> 24 VDC (1.8W)  |                               | <b>SS</b> Base plug-in with rectifier & light & ground |
| <b>DD</b> 24 VDC (2.5W)  |                               |  |
| <b>DF</b> 24 VDC (4.0W)  |                               |  |

Note : AC voltage requires connector with rectifier.  
 \* Other options available, see page 311.  
 Latching solenoid also available, see page 61.

- 48
- 400
- 92
- 93
- ISO 01
- ISO 02
- ISO 1
- ISO 2
- ISO 3

### OPTIONS

Pilot/Base Configuration :

38B-**M**X-**A**X-G**XX**P-**XXX**

- A** Individual base – Side port
- B** Individual base – Bottom port
- M** Pilot exhaust muffled
- P** Pilot exhaust piped (# 10-32)
- U** Pilot exhaust to main exhaust

Washdown capability is possible, consult factory for modification number.



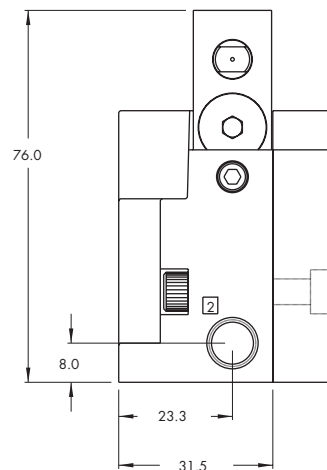
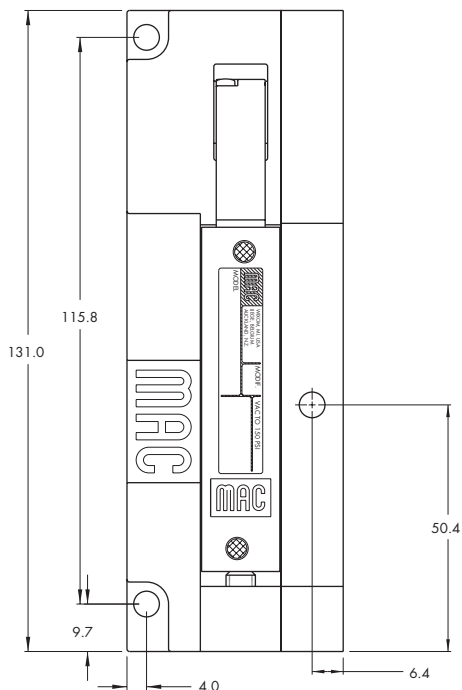
**TECHNICAL DATA**

|   |  |
|---|--|
| <b>Fluid :</b>                              | Compressed air, vacuum, inert gases  |
| <b>Pressure range :</b>                     | Internal Pilot : 20 to 120 PSI<br>External Pilot : Vacuum to 120 PSI   |
| <b>Pilot pressure :</b>                     | 20 to 120 PSI  |
| <b>Lubrication :</b>                        | Not required, if used select a medium aniline point lubricant (between 180°F and 210°F)  |
| <b>Filtration :</b>                         | 40 μ   |
| <b>Temperature range :</b>                  | 0°F to 120°F (-18°C to +50°C)  |
| <b>Flow :</b>                               | 1/8" bottom port: (1.2 C <sub>v</sub> ) - 1/8" side port: (1.0 C <sub>v</sub> ) - 1/4" tube receptacle: (0.85 C <sub>v</sub> ) |
| <b>Coil :</b>                               | Class A continuous duty, #22 AWG x 12 base leads   |
| <b>Voltage range :</b>                      | -15% to +10% of nominal voltage  |
| <b>Power :</b>                              | 1.0 to 4.0 W   |
| <b>Response times :<br/>(with 4 W coil)</b> | Energize : 6 ms<br>De-energize : 6 ms  |

Options : • BSPP threads

**DIMENSIONS**

Dimensions shown are metric (mm)



| Function         | Port size                                   | Flow [Max]               | Manifold mounting          | Series |
|------------------|---|--------------------------|----------------------------|--------|
| <b>3/2 NO-NC</b> | <b>1/8" -<br/>1/4" O.D. tube receptacle</b> | <b>1.2 C<sub>v</sub></b> | Manifold base<br>"plug-in" |        |

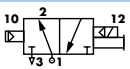
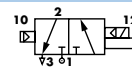
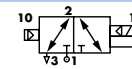
### OPERATIONAL BENEFITS

1. 3-way valve with 4-way integral pilot.
2. 10 mm valve (stacks on 16.5 mm centers).
3. High flow (up to 1.2 C<sub>v</sub>).
4. Fast, repeatable response times.
5. Maximum shifting forces in both directions.



33  
34  
36  
32  
37  
**38**  
52  
67  
69  
44  
46  
42  
47  
48P

### HOW TO ORDER

| Port size                        | Pilot air | NO valve  | NC valve  | Universal valve   |
|----------------------------------|-----------|---|---|---|
|                                  |           |  |  |  |
| <b>Valve less base</b>           | Internal  | 38B-BMA-000-G <b>XX</b> P- <b>XXX</b>   | 38B-AMA-000-G <b>XX</b> P- <b>XXX</b>   |   |
|                                  | External  | 38B-BMB-000-G <b>XX</b> P- <b>XXX</b>   | 38B-AMB-000-G <b>XX</b> P- <b>XXX</b>   | 38B-GMB-000-G <b>XX</b> P- <b>XXX</b>   |
| <b>1/8" NPTF</b>                 | Internal  | 38B-BMA-AJA-G <b>XX</b> P- <b>XXX</b>   | 38B-AMA-AJA-G <b>XX</b> P- <b>XXX</b>   |   |
|                                  | External  | 38B-BMB-AJB-G <b>XX</b> P- <b>XXX</b>   | 38B-AMB-AJB-G <b>XX</b> P- <b>XXX</b>   | 38B-GMB-BJB-G <b>XX</b> P- <b>XXX</b>   |
| <b>1/4" O.D. Tube receptacle</b> | Internal  | 38B-BMA-EJA-G <b>XX</b> P- <b>XXX</b>   | 38B-AMA-EJA-G <b>XX</b> P- <b>XXX</b>   |   |
|                                  | External  | 38B-BMB-EJB-G <b>XX</b> P- <b>XXX</b>   | 38B-AMB-EJB-G <b>XX</b> P- <b>XXX</b>   | 38B-GMB-EJB-G <b>XX</b> P- <b>XXX</b>   |

Note : Above codes are for side port.

### STANDARD SOLENOID OPERATOR >

G **XX** P-**XXX**\*

| <b>XX</b> Voltage        | <b>X</b> Manual operator      | <b>XX</b> Electrical connection                        |
|--------------------------|-------------------------------|--|
| <b>AA</b> 120 VAC (2.5W) | <b>1</b> Non-locking recessed | <b>SA</b> Base plug-in                                 |
| <b>DA</b> 24 VDC (1.0W)  | <b>2</b> Locking recessed     | <b>SJ</b> Base plug-in with light                      |
| <b>DC</b> 24 VDC (1.8W)  |                               | <b>SS</b> Base plug-in with rectifier & light & ground |
| <b>DD</b> 24 VDC (2.5W)  |                               |  |
| <b>DF</b> 24 VDC (4.0W)  |                               |  |

Note : AC voltage requires connector with rectifier.

\* Other options available, see page 311.

Latching solenoid also available, see page 61.

Washdown capability is possible, consult factory for modification number.

### OPTIONS

Base only :

38B-000-**xxx**  
(i.e. 38B-000-AJA)

Base Configuration :

38B-**xxx-xJx-Gxx** P-**xxx**

- J** Manifold base – Side port
- K** Manifold base – Bottom port
- L** Left end manifold base – Side port
- M** Left end manifold base – Bottom port
- N** Right end manifold base – Side port
- P** Right end manifold base – Bottom port

Note : Manifold assemblies consist of (1) left end manifold, (1) right end manifold and middle station manifolds (options "J" or "K").

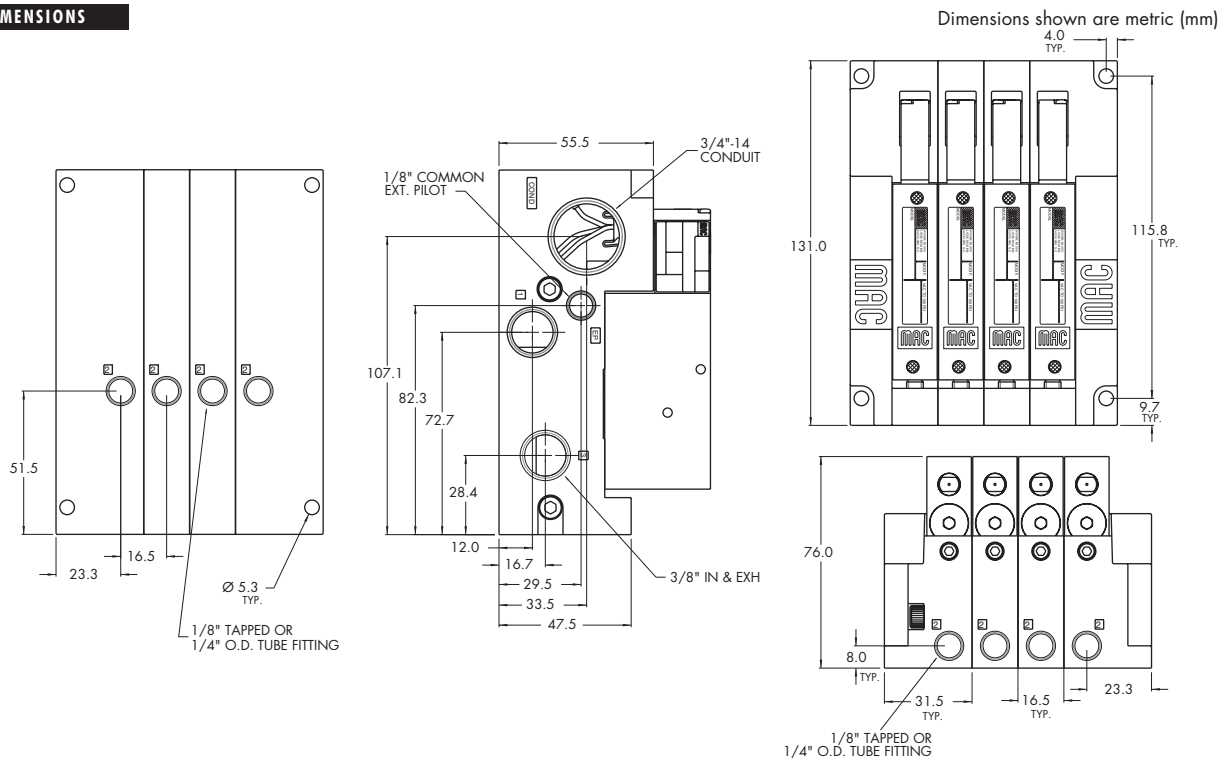
48  
400  
92  
93  
ISO 01  
ISO 02  
ISO 1  
ISO 2  
ISO 3

**TECHNICAL DATA**

|   |  |
|---|--|
| <b>Fluid :</b>                              | Compressed air, vacuum, inert gases  |
| <b>Pressure range :</b>                     | Internal Pilot : 20 to 120 PSI<br>External Pilot : Vacuum to 120 PSI   |
| <b>Pilot pressure :</b>                     | 20 to 120 PSI  |
| <b>Lubrication :</b>                        | Not required, if used select a medium aniline point lubricant (between 180°F and 210°F)  |
| <b>Filtration :</b>                         | 40 μ   |
| <b>Temperature range :</b>                  | 0°F to 120°F (-18°C to +50°C)  |
| <b>Flow :</b>                               | 1/8" bottom port: (1.2 C <sub>v</sub> ) - 1/8" side port: (1.0 C <sub>v</sub> ) - 1/4" tube receptacle: (0.85 C <sub>v</sub> ) |
| <b>Coil :</b>                               | Class A continuous duty, #22 AWG x 12 base leads   |
| <b>Voltage range :</b>                      | -15% to +10% of nominal voltage  |
| <b>Power :</b>                              | 1.0 to 4.0 W   |
| <b>Response times :<br/>(with 4 W coil)</b> | Energize : 6 ms<br>De-energize : 6 ms  |

Options : • BSPP threads

**DIMENSIONS**



| Function         | Port size                                   | Flow [Max]               | Individual/Manifold mounting   | Series |
|------------------|---|--------------------------|--|--------|
| <b>3/2 NO-NC</b> | <b>1/8" -<br/>1/4" O.D. tube receptacle</b> | <b>1.2 C<sub>v</sub></b> | Sub-base/<br>manifold base<br>non "plug-in"<br>with latching<br>solenoid |        |

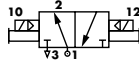
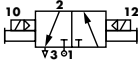
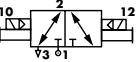
**OPERATIONAL BENEFITS**

1. 3-way valve with 4-way integral pilot.
2. 10 mm valve (stacks on 16.5 mm centers).
3. High flow (up to 1.2 C<sub>v</sub>).
4. Fast, repeatable response times.
5. Maximum shifting forces in both directions.



33  
34  
36  
32  
37  
**38**

**HOW TO ORDER**

| Port size                        | Pilot air | NO valve  | NC valve  | Universal valve   |
|----------------------------------|-----------|---|---|---|
|                                  |           |  |  |  |
| <b>Valve less base</b>           | Internal  | 38A-BMA-000-Lxxx-xxx  | 38A-AMA-000-Lxxx-xxx  |   |
|                                  | External  | 38A-BMB-000-Lxxx-xxx  | 38A-AMB-000-Lxxx-xxx  | 38A-GMB-000-Lxxx-xxx  |
| <b>1/8" NPTF</b>                 | Internal  | 38A-BMA-AAL-Lxxx-xxx  | 38A-AMA-AAL-Lxxx-xxx  |   |
|                                  | External  | 38A-BMB-AAM-Lxxx-xxx  | 38A-AMB-AAM-Lxxx-xxx  | 38A-GMB-AAM-Lxxx-xxx  |
| <b>1/4" O.D. Tube receptacle</b> | Internal  | 38A-BMA-EAL-Lxxx-xxx  | 38A-AMA-EAL-Lxxx-xxx  |   |
|                                  | External  | 38A-BMB-EAM-Lxxx-xxx  | 38A-AMB-EAM-Lxxx-xxx  | 38A-GMB-EAM-Lxxx-xxx  |

67  
69  
44  
46  
42  
47  
48P

Note : Above codes are for individual base and side port.

**LATCHING SOLENOID OPERATOR >**

| XX Voltage               | X Wire length | X Manual operator    | XX Electrical connection**                                   |
|--------------------------|---------------|----------------------|--|
| <b>DF</b> 24 VDC (4.0W)  | <b>A</b> 18"  | <b>0</b> No operator | <b>BA</b> 2 Wire Flying leads                                |
| <b>HA</b> 24 VDC (1.95W) | <b>B</b> 24"  |                      | <b>BJ</b> 4 Wire Flying leads                                |
|                          | <b>C</b> 36"  |                      | <b>KA</b> 2 Wire Plug-in Assembly                            |
|                          |               |                      | <b>KE</b> 4 Wire Plug-in Assembly                            |
|                          |               |                      | <b>LA</b> 3 Wire plug-in assembly (Polarity Switching Cover) |

48  
400  
92  
93

\* Other options available, see page 319.

\*\* Latching 38 series with non plug-in base configuration must use "B", "K" or "L" type electrical connector.

**OPTIONS**

Pilot/Base Configuration :

38A-xMx-xAx-Lxxx-xxx

- A** Individual base – Side port
- B** Individual base – Bottom port
- J** Manifold base – Side port
- K** Manifold base – Bottom port
- M** Pilot exhaust muffled
- P** Pilot exhaust piped (#10-32)
- U** Pilot exhaust to main exhaust

Note : Manifold assemblies require an end plate kit : M-38003-01-01 (internal pilot)  
M-38003-02-01 (external pilot)

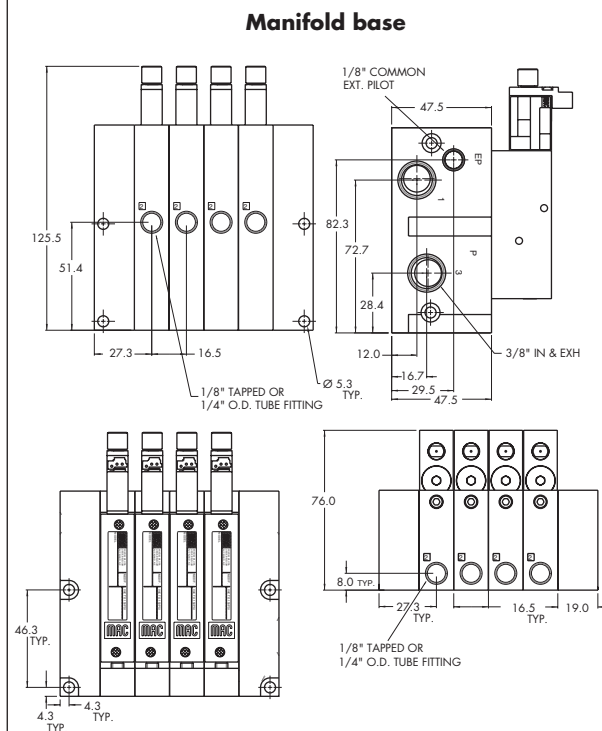
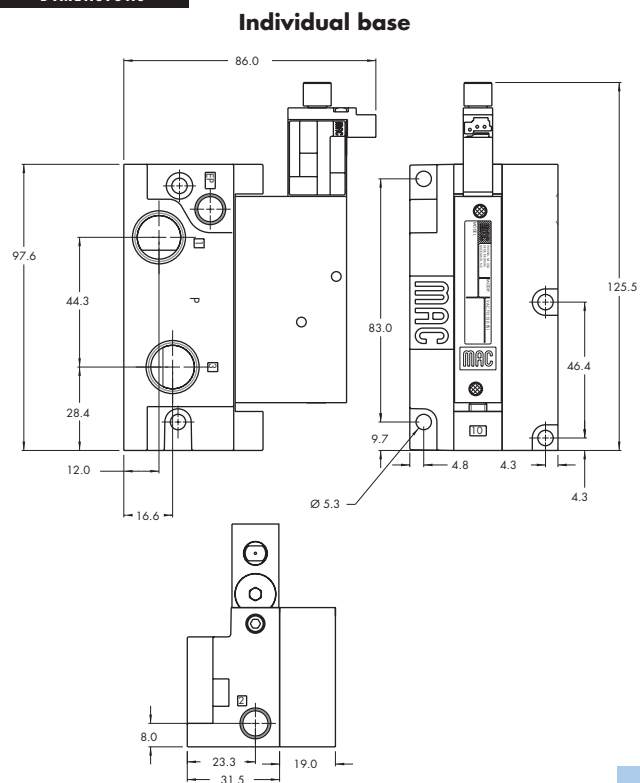
ISO 01  
ISO 02  
ISO 1  
ISO 2  
ISO 3

**TECHNICAL DATA**

|   |  |
|---|--|
| <b>Fluid :</b>                              | Compressed air, vacuum, inert gases  |
| <b>Pressure range :</b>                     | Internal Pilot : 20 to 120 PSI<br>External Pilot : Vacuum to 120 PSI   |
| <b>Pilot pressure :</b>                     | 20 to 120 PSI  |
| <b>Lubrication :</b>                        | Not required, if used select a medium aniline point lubricant (between 180°F and 210°F)  |
| <b>Filtration :</b>                         | 40 μ   |
| <b>Temperature range :</b>                  | 0°F to 120°F (-18°C to +50°C)  |
| <b>Flow :</b>                               | 1/8" bottom port: (1.2 C <sub>v</sub> ) - 1/8" side port: (1.0 C <sub>v</sub> ) - 1/4" tube receptacle: (0.85 C <sub>v</sub> ) |
| <b>Coil :</b>                               | Class A wires (#22 AWG x 18), continuous duty  |
| <b>Voltage range :</b>                      | -15% to +10% of nominal voltage  |
| <b>Power :</b>                              | 1.95 to 4.0 W  |
| <b>Response times :<br/>(with 4 W coil)</b> | Energize : 6 ms<br>De-energize : 6 ms  |

Options : • BSPP threads

**DIMENSIONS**



| Function         | Port size                                   | Flow [Max]               | Individual/Manifold mounting   | Series |
|------------------|---|--------------------------|--|--------|
| <b>3/2 NO-NC</b> | <b>1/8" -<br/>1/4" O.D. tube receptacle</b> | <b>1.2 C<sub>v</sub></b> | Sub-base/<br>manifold base<br>"plug-in"<br>with latching<br>solenoid |        |

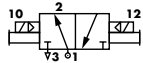
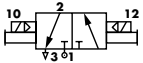
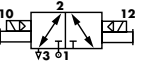
### OPERATIONAL BENEFITS

1. 3-way valve with 4-way integral pilot.
2. 10 mm valve (stacks on 16.5 mm centers).
3. High flow (up to 1.2 C<sub>v</sub>).
4. Fast, repeatable response times.
5. Maximum shifting forces in both directions.



33  
34  
36  
32  
37  
**38**  
52  
67  
69  
44  
46  
42  
47  
48P

### HOW TO ORDER

| Port size                        | Pilot air | NO valve  | NC valve  | Universal valve   |
|----------------------------------|-----------|---|---|---|
|                                  |           |  |  |  |
| <b>Valve less base</b>           | Internal  | 38A-BMA-000-LxxP-xxx  | 38A-AMA-000-LxxP-xxx  |   |
|                                  | External  | 38A-BMB-000-LxxP-xxx  | 38A-AMB-000-LxxP-xxx  | 38A-GMB-000-LxxP-xxx  |
| <b>1/8" NPTF</b>                 | Internal  | 38A-BMA-AAA-LxxP-xxx  | 38A-AMA-AAA-LxxP-xxx  |   |
|                                  | External  | 38A-BMB-AAB-LxxP-xxx  | 38A-AMB-AAB-LxxP-xxx  | 38A-GMB-AAB-LxxP-xxx  |
| <b>1/4" O.D. Tube receptacle</b> | Internal  | 38A-BMA-EAA-LxxP-xxx  | 38A-AMA-EAA-LxxP-xxx  |   |
|                                  | External  | 38A-BMB-EAB-LxxP-xxx  | 38A-AMB-EAB-LxxP-xxx  | 38A-GMB-EAB-LxxP-xxx  |

Note : Above codes are for individual base and side port.

### LATCHING SOLENOID OPERATOR >

L **XX** P-**XXX**\*

| XX Voltage               | X Manual operator    | XX Electrical connection**                                       |
|--------------------------|----------------------|--|
| <b>DF</b> 24 VDC (4.0W)  | <b>0</b> No operator | <b>DA</b> Base/Manifold Plug-in                                  |
| <b>HA</b> 24 VDC (1.95W) |                      | <b>DB</b> Base/Manifold Plug-in w/Ground                         |
|                          |                      | <b>DC</b> Base/Manifold Plug-in w/ Led                           |
|                          |                      | <b>DD</b> Base/Manifold Plug-in w/ Led and Ground                |
|                          |                      | <b>EA</b> Base/Manifold Plug-in 3 Pin (Polarity Switching Cover) |

\* Other options available, see page 319.  
\*\* 2 and 4 wire bases must use "D" type electrical connector.  
3 wire base must use "EA" type electrical connector.

### OPTIONS

Manifold/Base Configuration :

38A-xxx-x**A**-LxxP-xxx

- A** Individual base – Side port
- B** Individual base – Bottom port
- J** Manifold base – Side port
- K** Manifold base – Bottom port
- L** Left end manifold base – Side port
- M** Left end manifold base – Bottom port
- N** Right end manifold base – Side port
- P** Right end manifold base – Bottom port

Manifold/Base Int./Ext. Pilot : (Wire options)

38A-xxx-xx**A**-LxxP-xxx

- A** Plug-In Int. Pilot (2 Wire)\*\*
- B** Plug-In Ext. Pilot (2 Wire)\*\*
- C** Plug-In Int. Pilot (3 Wire)\*\*
- D** Plug-In Ext. Pilot (3 Wire)\*\*
- E** Plug-In Int. Pilot (4 Wire)\*\*
- F** Plug-In Ext. Pilot (4 Wire)\*\*

Note : Manifold assemblies consist of (1) left end manifold, (1) right end manifold, and middle station manifolds (option J or K).

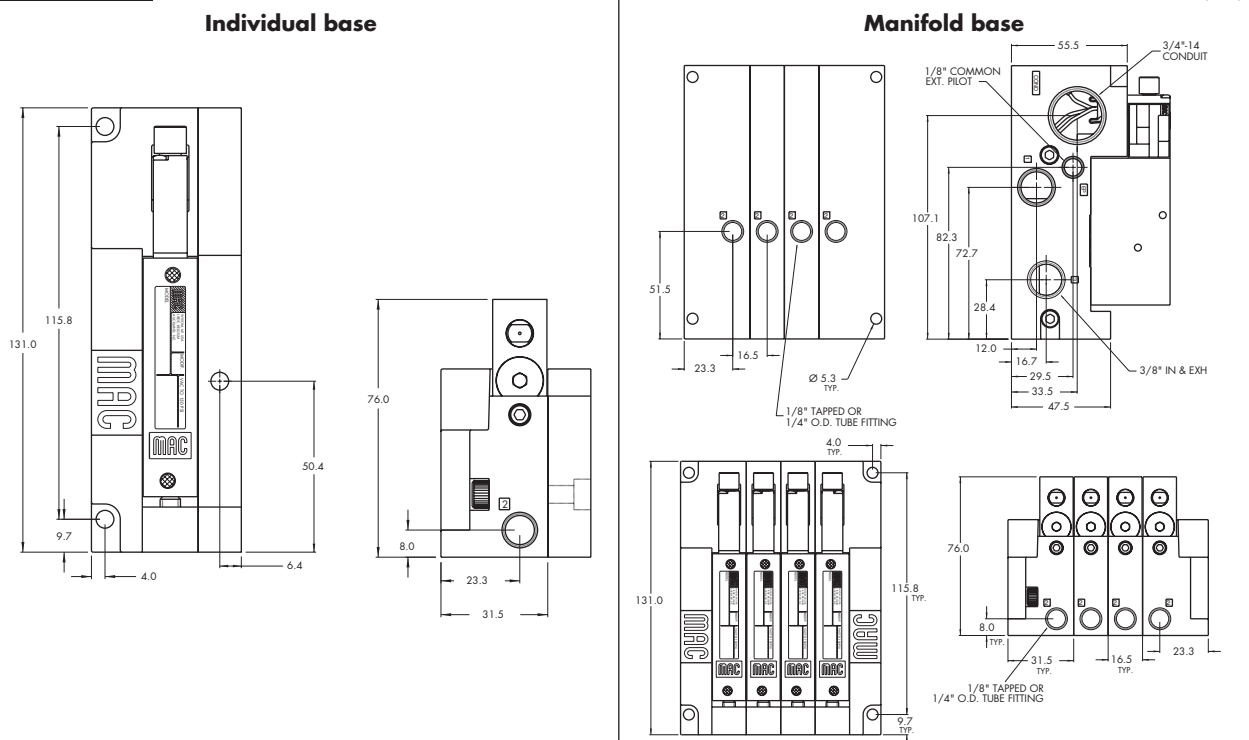
48  
400  
92  
93  
ISO 01  
ISO 02  
ISO 1  
ISO 2  
ISO 3

**TECHNICAL DATA**

|  |  |
|--|--|
| <b>Fluid :</b>                             | Compressed air, vacuum, inert gases  |
| <b>Pressure range :</b>                    | Internal Pilot : 20 to 120 PSI<br>External Pilot : Vacuum to 120 PSI   |
| <b>Pilot pressure :</b>                    | 20 to 120 PSI  |
| <b>Lubrication :</b>                       | Not required, if used select a medium aniline point lubricant (between 180°F and 210°F)  |
| <b>Filtration :</b>                        | 40 μ   |
| <b>Temperature range :</b>                 | 0°F to 120°F (-18°C to +50°C)  |
| <b>Flow :</b>                              | 1/8" bottom port: (1.2 C <sub>v</sub> ) - 1/8" side port: (1.0 C <sub>v</sub> ) - 1/4" tube receptacle: (0.85 C <sub>v</sub> ) |
| <b>Coil :</b>                              | Class A continuous duty, #22 AWG x 12 base leads   |
| <b>Voltage range :</b>                     | -15% to +10% of nominal voltage  |
| <b>Power :</b>                             | 1.95 to 4.0 W  |
| <b>Response times :</b><br>(with 4 W coil) | Energize : 6 ms<br>De-energize : 6 ms  |

Options : • BSPP threads

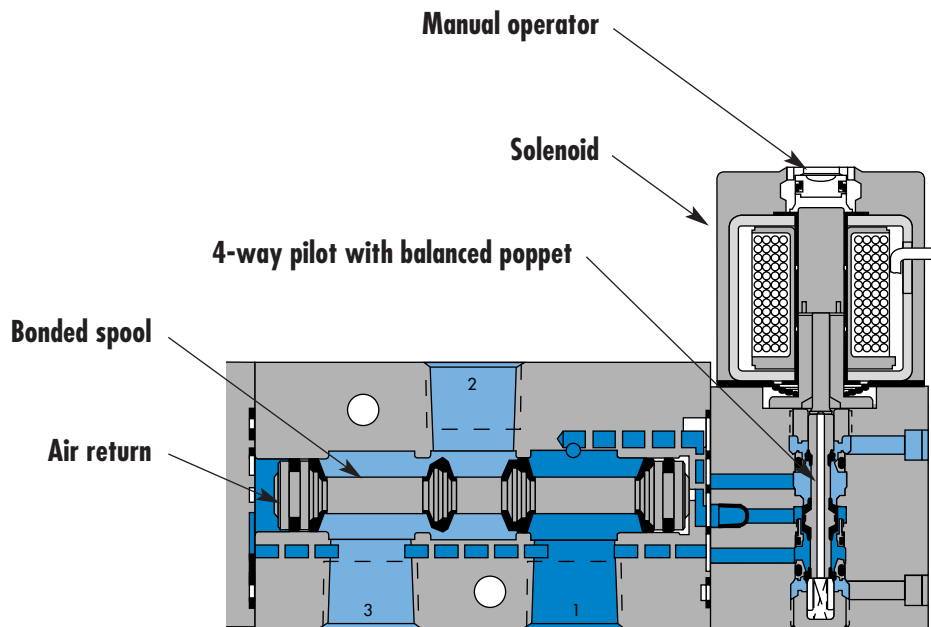
**DIMENSIONS**



Individual mounting

Series

Inline



33

34

36

32

37

38

**52**

67

69

44

46

42

47

48P

48

400

92

**SERIES FEATURES**

- Patented MACSOLENOID® for fastest possible response times and virtually burn-out proof AC solenoid operation.
- Optional low watt DC solenoids.
- Various manual operators.
- Optional memory spring.
- Normally closed or normally open valve function.
- May be plugged for 2-way operation.
- Internal or external pilot.

93

ISO 01

ISO 02

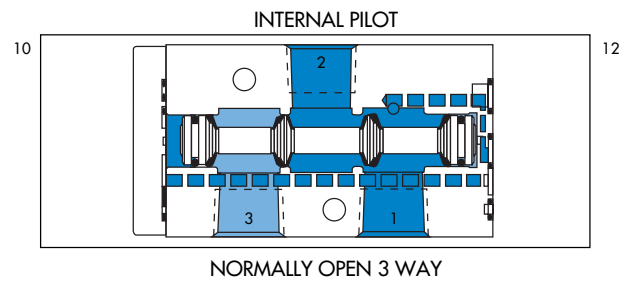
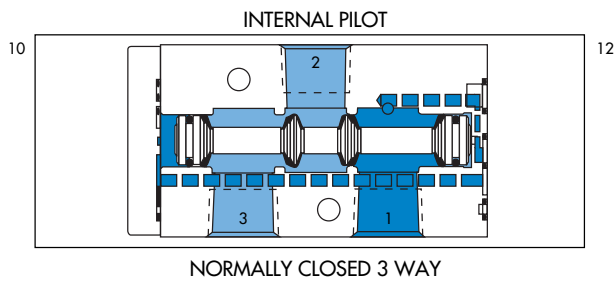
ISO 1

ISO 2

ISO 3



**SPOOL CONFIGURATIONS**



| Function                    | Port size          | Flow [Max]               | Individual mounting | Series |
|-----------------------------|--------------------|--------------------------|---------------------|--------|
| <b>3/2 NO-NC, 2/2 NO-NC</b> | <b>1/8" - 1/4"</b> | <b>1.5 C<sub>v</sub></b> | Inline              |        |

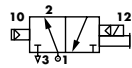
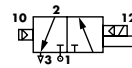
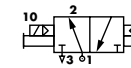
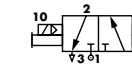
### OPERATIONAL BENEFITS

1. The 4-way pilot develops maximum shifting force both ways.
2. Memory spring available.
3. Balanced spool, immune to variations of pressure, also provides high flow.
4. Short stroke with high flow.
5. Bonded spool with minimum friction, shifting in a glass-like finished bore.
6. Pilot with balanced poppet, high flow, short and consistent response times.
7. Wiping effect eliminates sticking.
8. Long service life.



33  
34  
36  
32  
37  
38  
**52**

### HOW TO ORDER

| Port size        | Pilot air | Single Operator   |   | Double Operator  |   |
|------------------|-----------|---|---|--|---|
|                  |           | NO Valve  | NC Valve  | NO Valve   | NC Valve  |
|                  |           |  |  |  |  |
| <b>1/8" NPTF</b> | Internal  | 52A-31-A0A-XX-X-XXX-XXX   | 52A-11-A0A-XX-X-XXX-XXX   | 52A-41-A0A-XX-X-XXX-XXX  | 52A-21-A0A-XX-X-XXX-XXX   |
| <b>1/4" NPTF</b> | Internal  | 52A-31-B0A-XX-X-XXX-XXX   | 52A-11-B0A-XX-X-XXX-XXX   | 52A-41-B0A-XX-X-XXX-XXX  | 52A-21-B0A-XX-X-XXX-XXX   |
| <b>1/8" NPTF</b> | External  | 52A-31-A0B-XX-X-XXX-XXX   | 52A-11-A0B-XX-X-XXX-XXX   | 52A-41-A0B-XX-X-XXX-XXX  | 52A-21-A0B-XX-X-XXX-XXX   |
| <b>1/4" NPTF</b> | External  | 52A-31-B0B-XX-X-XXX-XXX   | 52A-11-B0B-XX-X-XXX-XXX   | 52A-41-B0B-XX-X-XXX-XXX  | 52A-21-B0B-XX-X-XXX-XXX   |

67  
69  
44  
46  
42  
47  
48P

### SOLENOID OPERATOR >

#### DM-D XXX-XXX\*

| XX | Voltage               | X | Wire length        | X | Manual operator      | XX | Electrical connection            |
|----|-----------------------|---|--------------------|---|----------------------|----|----------------------------------|
| JA | 110/50, 120/60 (2.9W) | A | 18" (Flying leads) | 1 | Non-locking recessed | KA | Square connector                 |
| JB | 220/50, 240/60 (2.9W) | B | 24" (Flying leads) | 2 | Locking recessed     | KD | Square connector with light      |
| JC | 24/60 (2.9W)          | J | Connector          |   |                      | JB | Rectangular connector            |
| FB | 24 VDC (1.8W)         |   |                    |   |                      | JD | Rectangular connector with light |
| DA | 24 VDC (5.4W)         |   |                    |   |                      | BA | Flying leads                     |
| DF | 24 VDC (12.7W)        |   |                    |   |                      |    |                                  |

48  
400  
92

### SOLENOID OPERATOR >

#### GM-G XXX-XXX\*\*

| XX | Voltage       | X | Wire length | X | Manual operator      | XX | Electrical connection         |
|----|---------------|---|-------------|---|----------------------|----|-------------------------------|
| DC | 24 VDC (1.8W) | A | 18"         | 1 | Non-locking recessed | BA | Flying leads                  |
| DD | 24 VDC (2.5W) | B | 24"         | 2 | Locking recessed     | BT | Flying leads with light       |
| DF | 24 VDC (4.0W) | C | 36"         |   |                      | KA | Plug-in wire Assy.            |
|    |               |   |             |   |                      | KT | Plug-in wire Assy. with light |

93

\* Other options available, see page 309.  
\*\* Other options available, see page 313.

### OPTIONS

52A-31-A0A-XX-X-XXX-XXX

For memory spring, replace by **4** (single solenoid only)

ISO 01  
ISO 02  
ISO 1  
ISO 2  
ISO 3

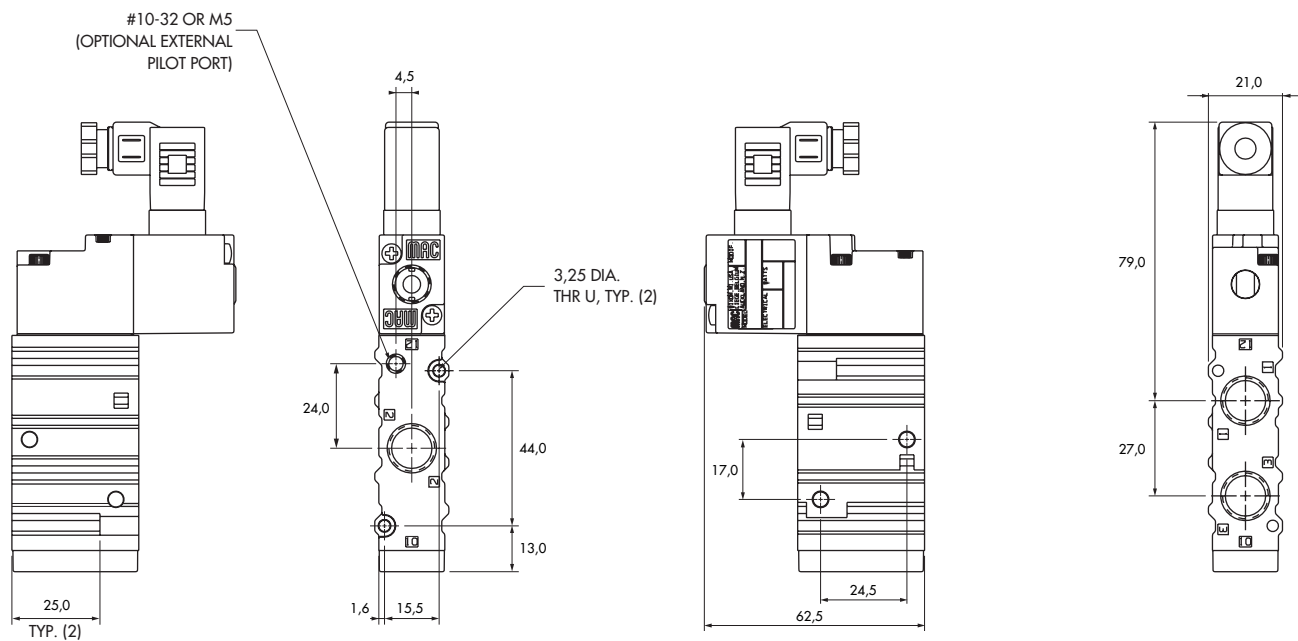
**TECHNICAL DATA**

|                            |  |
|----------------------------|--|
| <b>Fluid :</b>             | Compressed air, vacuum, inert gases  |
| <b>Pressure range :</b>    | Internal Pilot : 20 to 120 PSI<br>External Pilot : Vacuum to 120 PSI                                       |
| <b>Lubrication :</b>       | Not required, if used select a medium aniline point lubricant (between 180°F and 210°F)                    |
| <b>Filtration :</b>        | 40 μ   |
| <b>Temperature range :</b> | 0°F to 120°F (-18°C to +50°C)  |
| <b>Flow :</b>              | 1/8" : (1.2 C <sub>v</sub> ) – 1/4" : (1.5 C <sub>v</sub> )  |
| <b>Coil :</b>              | Class A continuous duty, #22 AWG x 18 lead wires   |
| <b>Voltage range :</b>     | -15% to +10% of nominal voltage  |
| <b>Protection :</b>        | Consult factory  |
| <b>Power :</b>             | ~Inrush: 10.9 VA    Holding: 7.7 VA<br>= 1.8 to 12.7 W   |
| <b>Response times :</b>    | 24V=5.4W    Energize: 7.3 ms    De-energize: 5.3 ms<br>120/60    Energize: 8-12 ms    De-energize: 7-11 ms |

Options :                    • BSPP threads

**DIMENSIONS**

Dimensions shown are metric (mm)

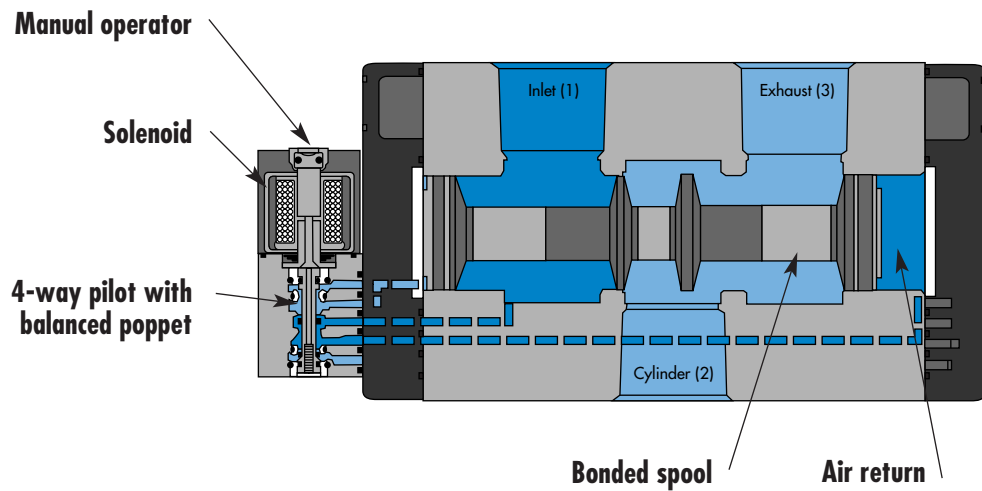


Individual mounting

|        |
|--------|
| Inline |
|--------|

Series

- 33
- 34
- 36
- 32
- 37
- 38
- 52
- 67



- 69
- 44
- 46
- 42
- 47
- 48P
- 48
- 400
- 92

**SERIES FEATURES**

- Patented MACSOLENOID® for fastest possible response times and virtually burn-out proof AC solenoid operation.
- Optional low watt DC solenoids.
- Normally closed or normally open valve function.
- Optional universal spool.
- Internal or external pilot.
- Optional memory spring.
- Checked accumulator.
- Optional pilot exhaust to main valve exhaust.
- May be plugged for 2-way operation.

- 93
- ISO 01
- ISO 02
- ISO 1
- ISO 2
- ISO 3

| Function                    | Port size        | Flow [Max]                | Individual mounting | Series |
|-----------------------------|------------------|---------------------------|---------------------|--------|
| <b>3/2 NO-NC, 2/2 NO-NC</b> | <b>3/4" - 1"</b> | <b>20.0 C<sub>v</sub></b> | Inline              |        |

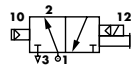
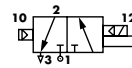
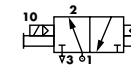
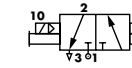
### OPERATIONAL BENEFITS

1. The 4-way pilot develops maximum shifting force both ways.
2. Memory spring available.
3. Balanced spool, immune to variations of pressure, also provides high flow.
4. Short stroke with high flow.
5. Bonded spool with minimum friction, shifting in a glass-like finished bore.
6. Pilot with balanced poppet, high flow, short and consistent response times.
7. Wiping effect eliminates sticking.



33  
34  
36  
32  
37  
38  
52  
**67**

### HOW TO ORDER

| Port size        | Pilot air | Single Operator   |   | Double Operator  |   |
|------------------|-----------|---|---|--|---|
|                  |           | NO Valve  | NC Valve  | NO Valve   | NC Valve  |
|                  |           |  |  |  |  |
| <b>3/4" NPTF</b> | Internal  | 67A-Cx-AAA-DM-Dxxx-xxx  | 67A-Ax-AAA-DM-Dxxx-xxx  | 67A-Dx-AAA-DM-Dxxx-xxx   | 67A-Bx-AAA-DM-Dxxx-xxx  |
| <b>1" NPTF</b>   |           | 67A-Cx-BAA-DM-Dxxx-xxx  | 67A-Ax-BAA-DM-Dxxx-xxx  | 67A-Dx-BAA-DM-Dxxx-xxx   | 67A-Bx-BAA-DM-Dxxx-xxx  |
| <b>3/4" NPTF</b> | External  | 67A-Cx-AAB-DM-Dxxx-xxx  | 67A-Ax-AAB-DM-Dxxx-xxx  | 67A-Dx-AAB-DM-Dxxx-xxx   | 67A-Bx-AAB-DM-Dxxx-xxx  |
| <b>1" NPTF</b>   |           | 67A-Cx-BAB-DM-Dxxx-xxx  | 67A-Ax-BAB-DM-Dxxx-xxx  | 67A-Dx-BAB-DM-Dxxx-xxx   | 67A-Bx-BAB-DM-Dxxx-xxx  |

69  
44  
46  
42  
47  
48P

### SOLENOID OPERATOR >

### DM-D xxx-xxx\*

| XX Voltage                      | X Wire length      | X Manual operator             | XX Electrical connection                   |
|---------------------------------|--------------------|-------------------------------|--|
| <b>JA</b> 110/50, 120/60 (2.9W) | <b>A</b> 18"       | <b>1</b> Non-locking recessed | <b>KA</b> Square connector                 |
| <b>JB</b> 220/50, 240/60 (2.9W) | <b>B</b> 24"       | <b>2</b> Locking recessed     | <b>KD</b> Square connector with light      |
| <b>JC</b> 24/60 (2.9W)          | <b>J</b> Connector |                               | <b>JB</b> Rectangular connector            |
| <b>FB</b> 24 VDC (1.8W)         |                    |                               | <b>JD</b> Rectangular connector with light |
| <b>DA</b> 24 VDC (5.4W)         |                    |                               | <b>BA</b> Flying leads                     |
| <b>DF</b> 24 VDC (12.7W)        |                    |                               |  |

\* Other options available, see page 309.

48  
400  
92

### OPTIONS

Spool type :

67A-**XX**-AAA-DM-Dxxx-xxx

- G** Single operator universal spool
- H** Double operator universal spool

Port configuration :

67A-XX-**AXA**-DM-Dxxx-xxx

- A** Standard pilot exhaust
- B** Pilot exhaust to main exhaust\*
- C** Pilot exhaust out adapter\*
- \* Must use DU pilot. Replace DM with DU

Mounting style :

67A-XX-**XAA**-DM-Dxxx-xxx

- G** O-Ring mount

Spool return :

67A-**XX**-AAA-DM-Dxxx-xxx

- 1** Standard return
- 2** Standard return with memory spring (for use with single operator only)

Pilot style :

67A-XX-AAA-**DM**-Dxxx-xxx

- M** Pilot exhaust muffled
- P** Pilot exhaust piped (#10-32)
- U** Pilot exhaust to main exhaust

93  
ISO 01  
ISO 02  
ISO 1  
ISO 2  
ISO 3

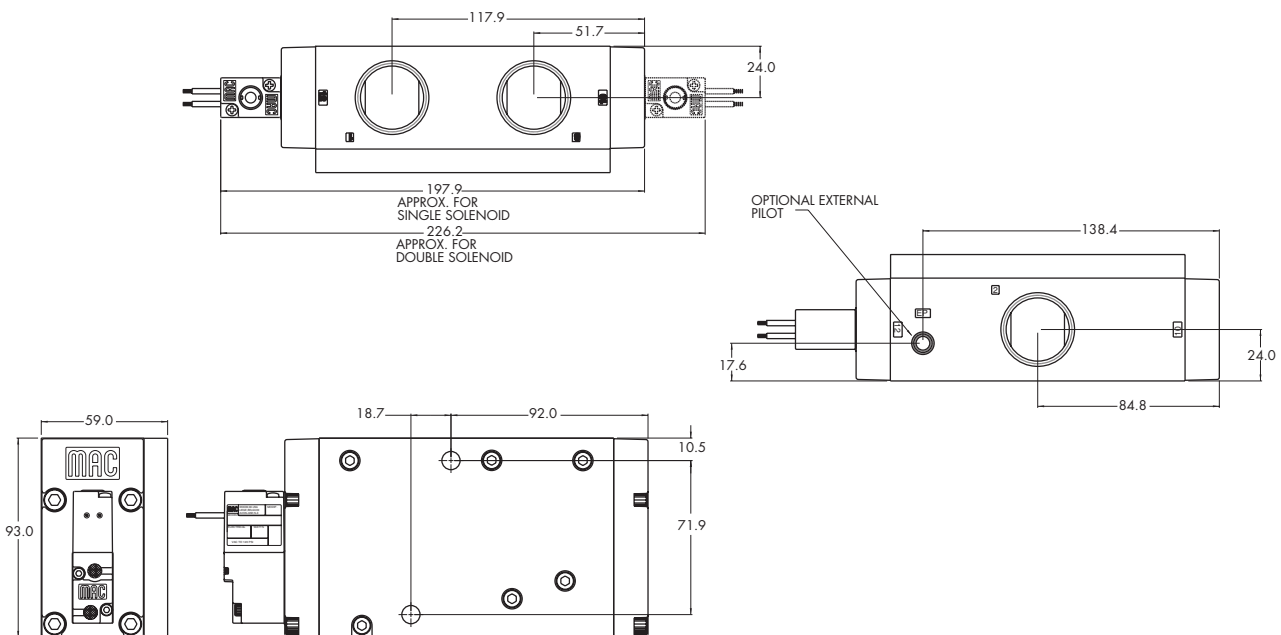
**TECHNICAL DATA**

|   |   |
|---|---|
| <b>Fluid :</b>                                | Compressed air, vacuum, inert gases   |
| <b>Pressure range :</b>                       | Internal Pilot : 20 to 120 PSI<br>External Pilot : Vacuum to 120 PSI                    |
| <b>Lubrication :</b>                          | Not required, if used select a medium aniline point lubricant (between 180°F and 210°F) |
| <b>Filtration :</b>                           | 40 μ  |
| <b>Temperature range :</b>                    | 0°F to 120°F (-18°C to +50°C)   |
| <b>Flow :</b>                                 | 3/4" : (14.5 C <sub>v</sub> ) – 1" : (20.0 C <sub>v</sub> )                             |
| <b>Coil :</b>                                 | Class A continuous duty, #22 AWG x 18 lead wires  |
| <b>Voltage range :</b>                        | -15% to +10% of nominal voltage   |
| <b>Protection :</b>                           | Consult factory   |
| <b>Power :</b>                                | ~ Inrush : 7.6 VA    Holding : 4.8 VA<br>= 12.7 to 1.0 W                                |
| <b>Response times :<br/>(with 5.4 W coil)</b> | Energize : 29 ms<br>De-energize : 21 ms   |

Options :                    • BSPP threads

**DIMENSIONS**

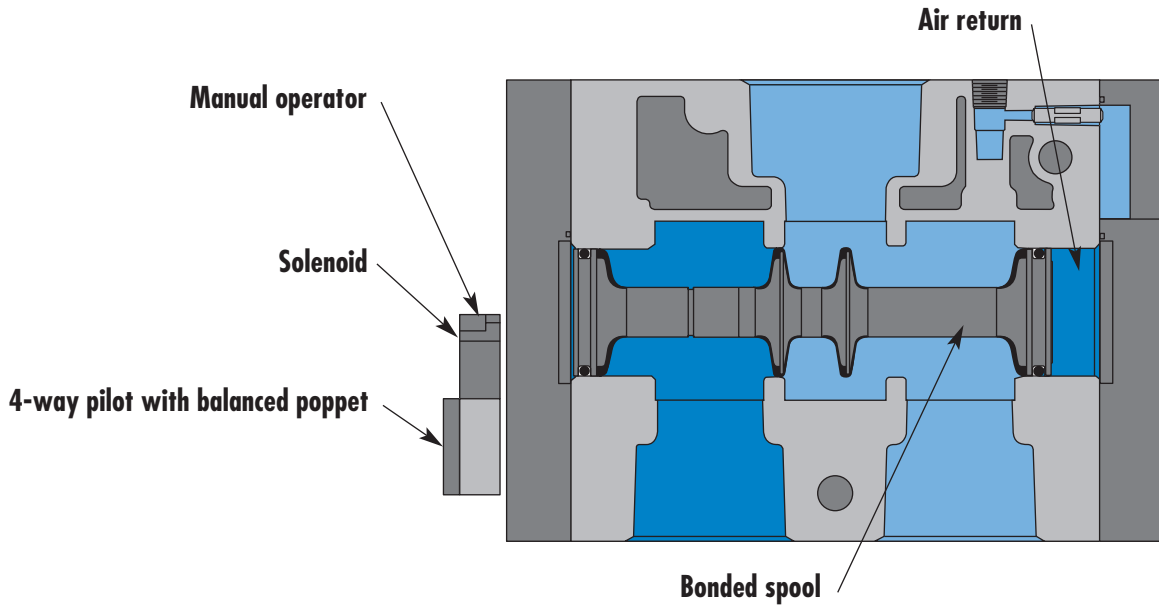
Dimensions shown are metric (mm)



Individual mounting

Inline

Series



33  
34  
36  
32  
37  
38  
52  
67  
**69**  
44  
46  
42  
47  
48P  
48  
400  
92  
93  
ISO 01  
ISO 02  
ISO 1  
ISO 2  
ISO 3

**SERIES FEATURES**

- High force MACSOLENOID®.
- Optional low watt DC solenoids.
- Internal or external pilot.
- Normally open or normally closed function.
- Checked accumulator.
- May be plugged for 2-way operation.

| Function                    | Port size                   | Flow [Max]                | Individual mounting | Series |
|-----------------------------|-----------------------------|---------------------------|---------------------|--------|
| <b>3/2 NO-NC, 2/2 NO-NC</b> | <b>1 1/2" - 2" - 2 1/2"</b> | <b>60.0 C<sub>v</sub></b> | Inline              |        |

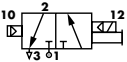
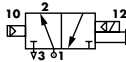
### OPERATIONAL BENEFITS

1. The 4-way pilot develops maximum shifting force both ways.
2. Balanced spool, immune to variations of pressure, also provides high flow.
3. Short stroke with high flow.
4. Bonded spool with minimum friction, shifting in a glass-like finished bore.
5. Pilot with balanced poppet, high flow, short and consistent response times.
6. Wiping effect eliminates sticking and contamination.



33  
34  
36  
32  
37  
38  
52  
67

### HOW TO ORDER

| Port size     | Pilot air | Single Operator NC valve  | Single Operator NO valve  |
|---------------|-----------|---|---|
|               |           |  |  |
| <b>1 1/2"</b> | Internal  | 69A-A1-AAA-JXXX-XXX   | 69A-C1-AAA-JXXX-XXX   |
| <b>2"</b>     |           | 69A-A1-BAA-JXXX-XXX   | 69A-C1-BAA-JXXX-XXX   |
| <b>2 1/2"</b> |           | 69A-A1-CAA-JXXX-XXX   | 69A-C1-CAA-JXXX-XXX   |
| <b>1 1/2"</b> | External  | 69A-A1-AAB-JXXX-XXX   | 69A-C1-AAB-JXXX-XXX   |
| <b>2"</b>     |           | 69A-A1-BAB-JXXX-XXX   | 69A-C1-BAB-JXXX-XXX   |
| <b>2 1/2"</b> |           | 69A-A1-CAB-JXXX-XXX   | 69A-C1-CAB-JXXX-XXX   |

69  
44  
46  
42  
47  
48P

### SOLENOID OPERATOR >

J **XXX-XXX\*** (-G) Add "G" for ground

| XX Voltage               | X Lead wire length    | X Manual operator    | XX Electrical connection*                         |
|--------------------------|-----------------------|----------------------|---|
| <b>AA</b> 120 VAC (5,4W) | <b>0</b> No lead wire | <b>1</b> Non-locking | <b>BA</b> Flying leads                            |
| <b>DA</b> 24 VDC (5,4W)  | <b>A</b> 18"          | <b>2</b> Locking     | <b>GA</b> MAC JAC Solenoid Plug-in                |
| <b>DB</b> 12 VDC (5,4W)  | <b>B</b> 24"          |                      | <b>GG</b> MAC JAC Solenoid Plug-in with rectifier |
| <b>DC</b> 24 VDC (2,4W)  | <b>C</b> 36"          |                      | <b>JB</b> Rectangular connector                   |
| <b>DD</b> 12 VDC (2,4W)  |                       |                      | <b>JD</b> Rectangular connector with light        |
|                          |                       |                      | <b>KA</b> Mini square connector                   |
|                          |                       |                      | <b>KD</b> Mini square connector with light        |

48  
400  
92  
93

\* Other options available, see page 317.  
Note : use "0" No lead wire for "J", "K" and "L" type electrical connectors.  
AC voltage requires connector with rectifier.

### OPTIONS

Pilot exhaust configuration:

69A-xx-xx **X**-JXXX-XXX

- A** Standard pilot exhaust
- B** Pilot exhaust out main exhaust
- M** Manifold O'Ring Mount

ISO 01  
ISO 02  
ISO 1  
ISO 2  
ISO 3



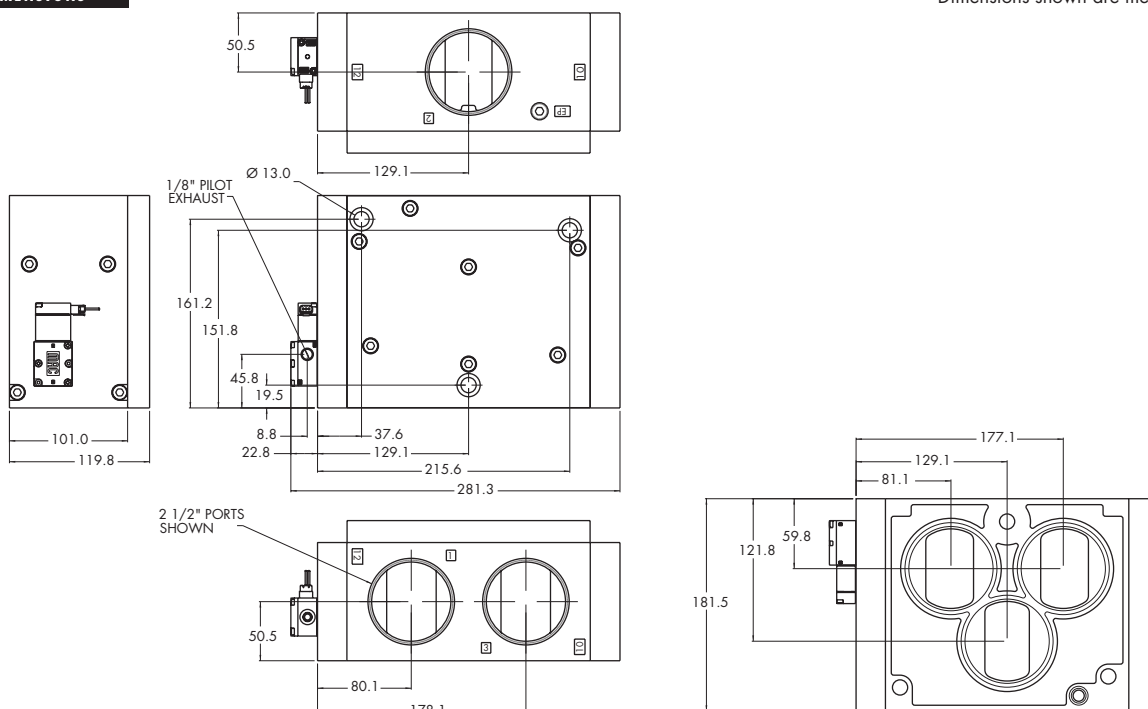
**TECHNICAL DATA**

|                            |   |
|----------------------------|---|
| <b>Fluid :</b>             | Compressed air, vacuum, inert gases   |
| <b>Pressure range :</b>    | Internal Pilot : 20 to 120 PSI<br>External Pilot : Vacuum to 120 PSI                    |
| <b>Pilot Pressure:</b>     | 20 to 120 PSI   |
| <b>Lubrication :</b>       | Not required, if used select a medium aniline point lubricant (between 180°F and 210°F) |
| <b>Filtration :</b>        | 40 µ  |
| <b>Temperature range :</b> | 0°F to 120°F (-18°C to +50°C)   |
| <b>Flow :</b>              | Cv 60.0   |
| <b>Coil :</b>              | Class A wire, #22 AWG x 18, continuous duty   |
| <b>Voltage range :</b>     | -15% to +10% of nominal voltage   |
| <b>Power :</b>             | 5.4W – 2.4W – 1.8W  |

Options : • BSPP threads

**DIMENSIONS**

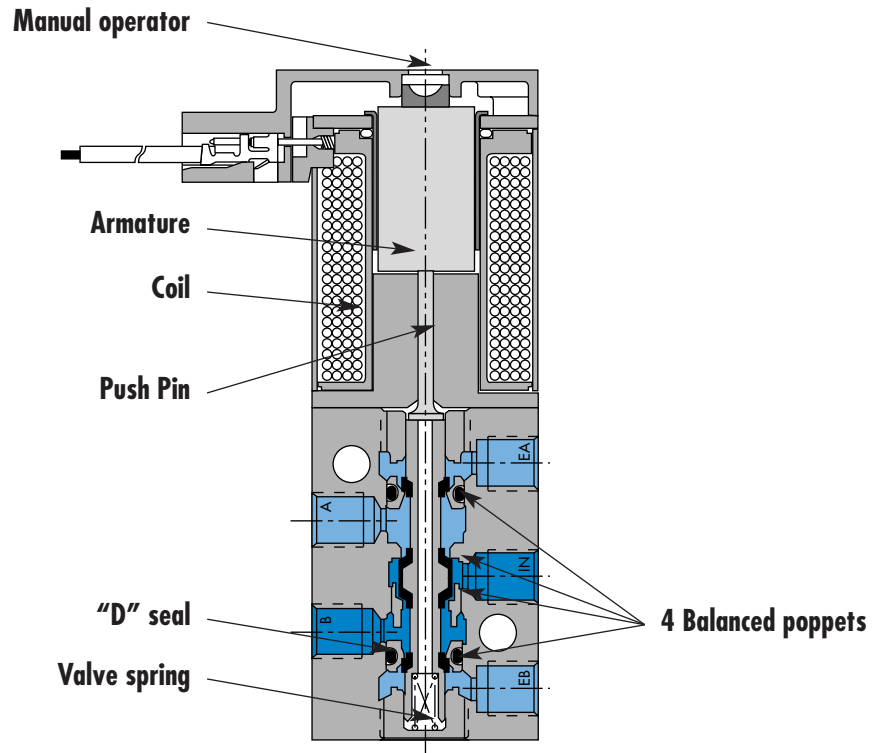
Dimensions shown are metric (mm)



Individual mounting

Series

Inline



33

34

36

32

37

38

52

67

69

**44**

46

42

47

48P

48

400

92

**SERIES FEATURES**

- High force MACSOLENOID®.
- 10mm direct operated.
- # 10-32 or M5 ports.
- Rated for lubricated or non-lubricated service.

93

ISO 01

ISO 02

ISO 1

ISO 2

ISO 3



# Direct solenoid and solenoid pilot operated valves

| Function   | Port size          | Flow [Max]               | Individual Mounting | Series |
|------------|--------------------|--------------------------|---------------------|--------|
| <b>5/2</b> | <b>M5, # 10-32</b> | <b>0.1 C<sub>v</sub></b> | Inline              |        |

### OPERATIONAL BENEFITS

1. 10 mm valve, direct solenoid operated.
2. Balanced poppet, immune to variations of pressure.
3. Short stroke with high flow.
4. The patented solenoid develops high shifting forces.
5. Powerful return spring.
6. Flow is specifically adjusted on each valve.
7. Manual operator standard on all valves.



33  
34  
36  
32  
37  
38  
52  
67  
69

### HOW TO ORDER

#### SOLENOID OPERATOR

| Port size      | Universal valve          | For use with external flow controls |
|----------------|--------------------------|-------------------------------------|
|                |                          |                                     |
| <b>M5</b>      | 44C-ABA-G <b>xxx-xxx</b> | 44C-BBA-G <b>xxx-xxx</b>            |
| <b># 10-32</b> | 44C-AAA-G <b>xxx-xxx</b> | 44C-BAA-G <b>xxx-xxx</b>            |

44  
46  
42  
47  
48P

#### LATCHING SOLENOID

| Port size      | Universal valve          | For use with external flow controls |
|----------------|--------------------------|-------------------------------------|
|                |                          |                                     |
| <b>M5</b>      | 44B-ABA-L <b>xxx-xxx</b> | 44B-BBA-L <b>xxx-xxx</b>            |
| <b># 10-32</b> | 44B-AAA-L <b>xxx-xxx</b> | 44B-BAA-L <b>xxx-xxx</b>            |

48  
400  
92

#### SOLENOID OPERATOR >

G **xxx-xxx**\*

| XX Voltage               | X Wire length | X Manual operator             | XX Electrical connection                               |
|--------------------------|---------------|-------------------------------|--|
| <b>AA</b> 120 VAC (2.5W) | <b>A</b> 18"  | <b>1</b> Non-locking recessed | <b>BA</b> Flying leads                                 |
| <b>DC</b> 24 VDC (1.8W)  | <b>B</b> 24"  | <b>2</b> Locking recessed     | <b>BT</b> Flying leads with light                      |
| <b>DD</b> 24 VDC (2.5W)  |               |                               | <b>GA</b> MAC JAC Solenoid Plug-in                     |
| <b>DF</b> 24 VDC (4.0W)  |               |                               | <b>KA</b> Plug-in wire assembly.                       |
|                          |               |                               | <b>KC</b> Plug-in wire assembly with rectifier & light |
|                          |               |                               | <b>KT</b> Plug-in wire assembly with light             |

\* Other options available, see page 311.  
Note : AC voltage requires connector with rectifier

93  
ISO 01  
ISO 02  
ISO 1  
ISO 2  
ISO 3

#### LATCHING SOLENOID >

L **xxx-xxx**\*

| XX Voltage               | X Wire length | X Manual operator    | XX Electrical connection                                     |
|--------------------------|---------------|----------------------|--|
| <b>DF</b> 24 VDC (4.0W)  | <b>A</b> 18"  | <b>0</b> No operator | <b>BA</b> 2 Wire flying leads                                |
| <b>HA</b> 24 VDC (1.95W) | <b>B</b> 24"  |                      | <b>BJ</b> 4 Wire flying leads                                |
|                          | <b>C</b> 36"  |                      | <b>KA</b> 2 Wire plug-in assembly                            |
|                          |               |                      | <b>KE</b> 4 Wire plug-in assembly                            |
|                          |               |                      | <b>LA</b> 3 Wire plug-in assembly (Polarity switching cover) |

\* Other options available, see page 319.

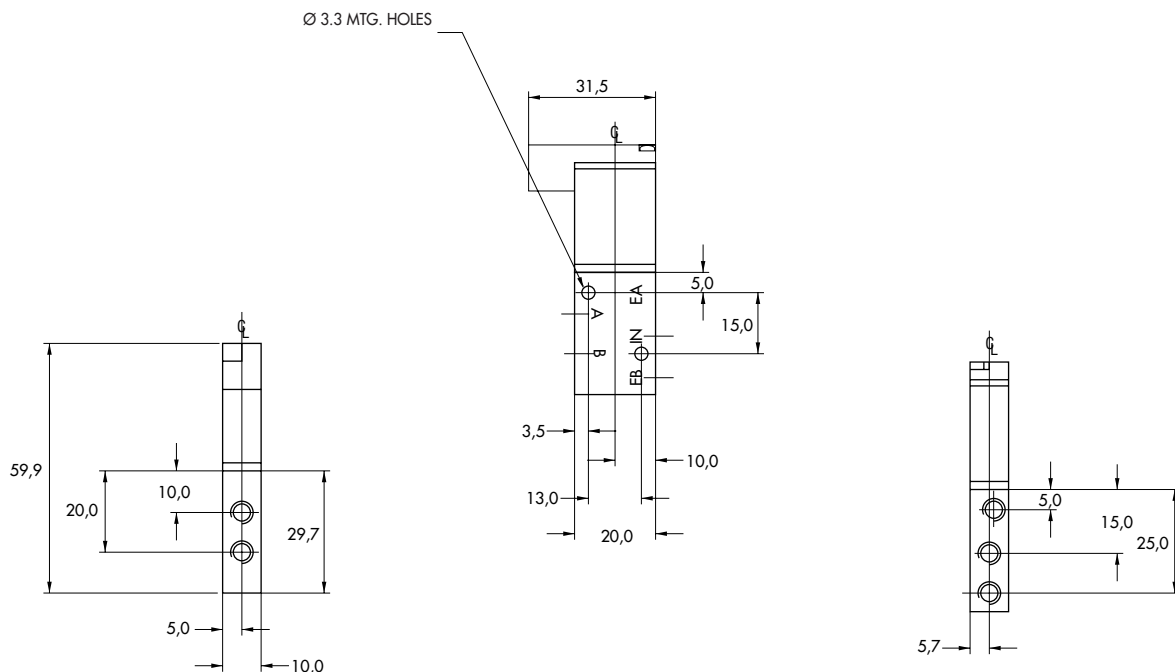
**TECHNICAL DATA**

|   |  |
|---|--|
| <b>Fluid :</b>                              | Compressed air, vacuum, inert gases  |
| <b>Pressure range :</b>                     | Vacuum to 120 PSI  |
| <b>Lubrication :</b>                        | Not required, if used select a medium aniline point lubricant (between 180°F and 210°F)  |
| <b>Filtration :</b>                         | 40 μ   |
| <b>Temperature range :</b>                  | 0°F to 120°F (-18°C to +50°C)  |
| <b>Flow :</b>                               | 4 W : (0.10 C <sub>v</sub> ) – 2.5 W : (0.08 C <sub>v</sub> ) – 1.8 W : (0.06 C <sub>v</sub> ) – 1.0W : (0.05 C <sub>v</sub> ) |
| <b>Coil :</b>                               | Class A wire (#22 AWG x 18), continuous duty   |
| <b>Voltage range :</b>                      | -15% to +10% of nominal voltage  |
| <b>Power :</b>                              | 4 W – 2.5 W – 1.8 W – 1.0 W  |
| <b>Response times :<br/>(with 4 W coil)</b> | Energize : 3.4 ms<br>De-energize : 1.5 ms  |

Note : • Valve and coil are not interchangeable.

**DIMENSIONS**

Dimensions shown are metric (mm)

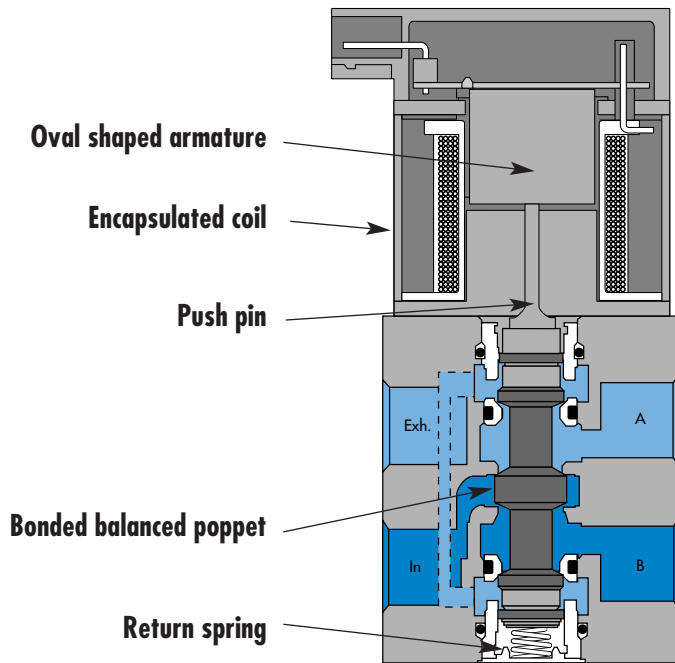


Individual mounting

|        |  |
|--------|--|
| Inline |  |
|--------|--|

Manifold mounting

|          |                         |  |  |                                      |
|----------|-------------------------|--|--|--------------------------------------|
| Stacking | Manifold base "plug-in" | Manifold base "plug-in" with pressure regulators | Manifold base "plug-in" with flow controls | Manifold base "plug-in" with PR & FC |
|----------|-------------------------|--|--|--------------------------------------|



**SERIES FEATURES**

- Patented high force MACSOLENOID® for fastest possible response times.
- Bonded balanced poppet for high flow, precise repeatability, and consistent operation.
- Balanced poppet permits versatility in function — may be used as 3-way or 2-way normally open or normally closed and may be used for vacuum, divertor, or selector applications.
- Extremely high cycle rate capability.
- Use on lube or non-lube service.
- Manual overrides as standard.
- Various solenoid enclosures and plug-in connectors.
- Optional surge suppression available.
- Low wattage DC solenoids — down to 1.3 watts.
- Rectified AC voltage.

Series

33

34

36

32

37

38

52

67

69

44

**46**

42

47

48P

48

48

400

92

92

92

92

93

ISO 01

ISO 02

ISO 1

ISO 2

ISO 3

| Function   | Port size             | Flow [Max]               | Individual mounting | Series |
|------------|-----------------------|--------------------------|---------------------|--------|
| <b>4/2</b> | <b>1/8" - # 10-32</b> | <b>0.3 C<sub>v</sub></b> | Inline              |        |

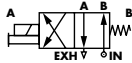
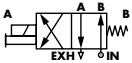
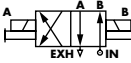
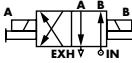
### OPERATIONAL BENEFITS

1. Balanced poppet, immune to variations of pressure.
2. Patented solenoid develops high shifting forces.
3. Short stroke with high flow.
4. Higher forces result in lower wattages for given flow.
5. Powerful return spring.



33  
34  
36  
32  
37  
38  
52  
67  
69  
44

### HOW TO ORDER

| Port size        | Single Operator   |   | Double Operator  |   |
|------------------|---|---|--|---|
|                  | Without flow controls   | With flow controls  | Without flow controls  | With flow controls  |
|                  |  |  |  |  |
| <b>1/8" NPTF</b> | 46A-AA1-J XXX-XXX   | 46A-AA2-J XXX-XXX   | 46A-GA1-J XXX-XXX  | 46A-GA2-J XXX-XXX   |
| <b># 10-32</b>   | 46A-AB1-J XXX-XXX   | 46A-AB2-J XXX-XXX   | 46A-GB1-J XXX-XXX  | 46A-GB2-J XXX-XXX   |

46  
42  
47  
48P

### SOLENOID OPERATOR >

J **XXX-XXX**\* (-G) Add "G" for ground

| XX Voltage                          | X Wire length        | X Manual operator             | XX Electrical connection                          |
|-------------------------------------|----------------------|-------------------------------|---|
| <b>Single &amp; double solenoid</b> | <b>** O</b> No leads | <b>1</b> Non-locking recessed | <b>BA</b> Flying leads                            |
| <b>AA</b> 120 VAC (5.4W)            | <b>A</b> 18"         | <b>2</b> Locking recessed     | <b>GA</b> MAC JAC solenoid plug-in                |
| <b>DA</b> 24 VDC (5.4W)             | <b>B</b> 24"         |                               | <b>GG</b> MAC JAC solenoid plug-in with rectifier |
| <b>DB</b> 12 VDC (5.4W)             | <b>C</b> 36"         |                               | <b>JB</b> Rectangular connector                   |
| <b>Single solenoid only</b>         |                      |                               | <b>JD</b> Rectangular connector with light        |
| <b>DC</b> 24 VDC (2.4W)             |                      |                               | <b>KA</b> Mini square connector                   |
| <b>DD</b> 12 VDC (2.4W)             |                      |                               | <b>KD</b> Mini square connector with light        |

48  
400  
92  
93

\* Other options available, see page 317.

\*\* Use with rectangular and mini connectors

Note: - AC voltage requires connector with rectifier.

- With the MAC JAC, washdown capability is possible. Consult factory for washdown modification number.  
- Double solenoid requires minimum 5.4 watts.

### OPTIONS

46A-AA1-Jxxx-xxx

**G** Use with O ring mount (body option 'D' & 'H')

- A** Single operator - 4 port body with side ports
- C** Single operator - 4 port body with bottom ports (No side ports - M5 or #10-32 ONLY)
- D** Single operator - Bottom O ring mount - All ports (No side ports)
- F** Single operator - Bottom O ring mount - Cylinder ports only - Side inlet & exhaust
- G** Double operator - 4 Port body - With side ports
- H** Double operator - Bottom O ring mount - All ports (No side ports)

Examples: 46A-DG1-Jxxx-xxx (Bottom O ring mount - all ports)  
46A-CB1-Jxxx-xxx (4 port body with bottom ports - no side ports)

ISO 01  
ISO 02  
ISO 1  
ISO 2  
ISO 3

**TECHNICAL DATA**

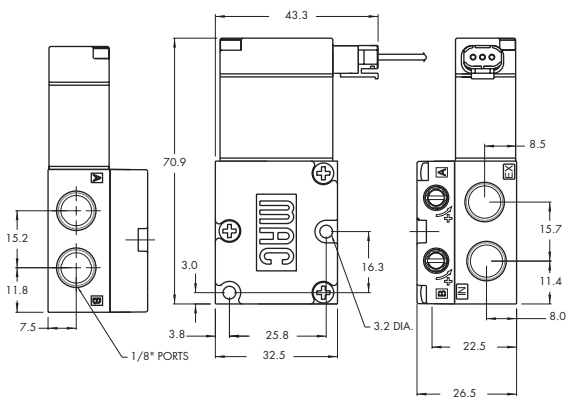
|                            |   |
|----------------------------|---|
| <b>Fluid :</b>             | Compressed air, vacuum, inert gases   |
| <b>Pressure range :</b>    | Vacuum to 120 PSI   |
| <b>Lubrication :</b>       | Not required, if used select a medium aniline point lubricant (between 180°F and 210°F)       |
| <b>Filtration :</b>        | 40 μ  |
| <b>Temperature range :</b> | 0°F to 120°F (-18°C to +50°C)   |
| <b>Orifice :</b>           | 3,3 mm  |
| <b>Flow :</b>              | 1.8W : (0.20 C <sub>v</sub> ) – 2.4W : (0.20 C <sub>v</sub> ) – 5.4W : (0.30 C <sub>v</sub> ) |
| <b>Coil :</b>              | Class A wire (#22 AWG x 18), continuous duty  |
| <b>Voltage range :</b>     | -15% to +10% of nominal voltage   |
| <b>Protection :</b>        | Consult factory   |
| <b>Power :</b>             | 5.4W – 2.4W – 1.8W  |

Options :                   • BSPP threads

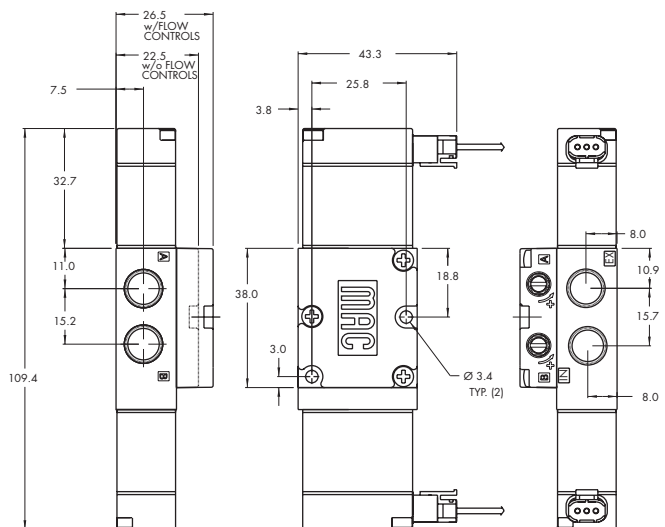
**DIMENSIONS**

Dimensions shown are metric (mm)

**Single solenoid**



**Double solenoid**





# Direct solenoid and solenoid pilot operated valves

| Function   | Port size             | Flow [Max]               | Manifold Mounting | Series |
|------------|-----------------------|--------------------------|-------------------|--------|
| <b>4/2</b> | <b>1/8" - # 10-32</b> | <b>0.3 C<sub>v</sub></b> | Stacking          |        |

### OPERATIONAL BENEFITS

1. Balanced poppet, immune to variations of pressure.
2. Patented solenoid develops high shifting forces.
3. Short stroke with high flow.
4. Higher forces result in lower wattages for given flow.
5. Powerful return spring.



33  
34  
36  
32  
37  
38  
52  
67  
69  
44

### HOW TO ORDER

| Port size        | Without flow controls    | With flow controls       |
|------------------|--------------------------|--------------------------|
|                  |                          |                          |
| <b>1/8" NPTF</b> | 46A-SA1-J <b>XXX-XXX</b> | 46A-SA2-J <b>XXX-XXX</b> |
| <b># 10-32</b>   | 46A-SB1-J <b>XXX-XXX</b> | 46A-SB2-J <b>XXX-XXX</b> |

46  
42

### SOLENOID OPERATOR >

J **XXX-XXX\*** (-G) Add "G" for ground

| XX | Voltage        | X | Wire length | X | Manual operator      | XX | Electrical connection                   |
|----|----------------|---|-------------|---|----------------------|----|---|
| AA | 120 VAC (5.4W) | A | 18"         | 1 | Non-locking recessed | BA | Flying leads                            |
| DA | 24 VDC (5.4W)  | B | 24"         | 2 | Locking recessed     | GA | MAC JAC solenoid plug-in                |
| DB | 12 VDC (5.4W)  | C | 36"         |   |                      | GB | MAC JAC solenoid plug-in with diode     |
| DC | 24 VDC (2.4W)  |   |             |   |                      | GG | MAC JAC solenoid plug-in with rectifier |
| DD | 12 VDC (2.4W)  |   |             |   |                      |    |   |

47  
48P  
48  
400

\* Other options available, see page 317.

Note : - AC voltage requires connector with rectifier.

- With the MAC JAC, washdown capability is possible. Consult factory for washdown modification number.

End plate kit required (port size 1/4") : M-46001-01.

92

93  
ISO 01  
ISO 02  
ISO 1  
ISO 2  
ISO 3



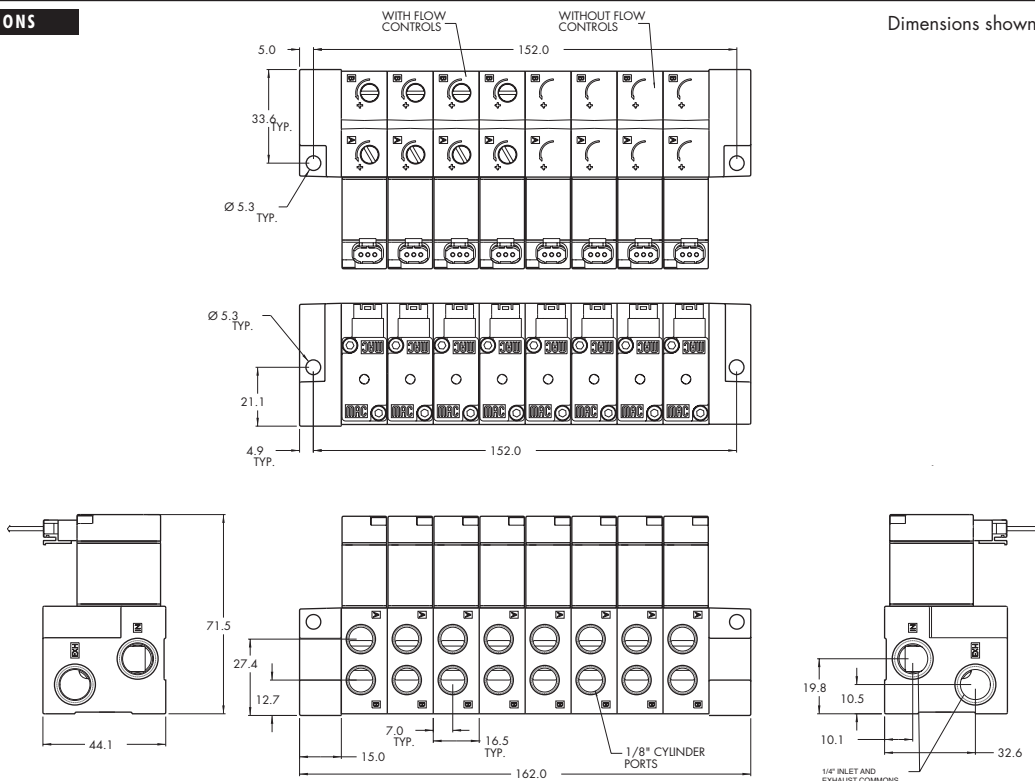
**TECHNICAL DATA**

|                            |   |
|----------------------------|---|
| <b>Fluid :</b>             | Compressed air, vacuum, inert gases   |
| <b>Pressure range :</b>    | Vacuum to 120 PSI   |
| <b>Lubrication :</b>       | Not required, if used select a medium aniline point lubricant (between 180°F and 210°F)       |
| <b>Filtration :</b>        | 40 μ  |
| <b>Temperature range :</b> | 0°F to 120°F (-18°C to +50°C)   |
| <b>Flow :</b>              | 1.8W : (0.20 C <sub>v</sub> ) – 2.4W : (0.20 C <sub>v</sub> ) – 5.4W : (0.30 C <sub>v</sub> ) |
| <b>Coil :</b>              | Class A wire (#22 AWG x 18), continuous duty  |
| <b>Voltage range :</b>     | -15% to +10% of nominal voltage   |
| <b>Protection :</b>        | Consult factory   |
| <b>Power :</b>             | 5.4W – 2.4W – 1.8W  |
| <b>Response times :</b>    | Energize : 7.20 ms  |
| <b>(with 5.4 W coil)</b>   | De-energize : 4.20ms  |

- Options :                   • BSPP threads
- Spare parts :             • Inlet isolator : 28494 • Exhaust isolator : 28493 • Tie rod (x2) : 79411

**DIMENSIONS**

Dimensions shown are metric (mm)



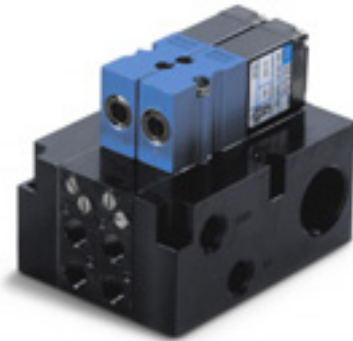


# Direct solenoid and solenoid pilot operated valves

| Function | Port size                                    | Flow [Max]         | Manifold mounting       | Series |
|----------|--|--------------------|-------------------------|--------|
| 4/2      | 1/8" - 5/32 O.D. Pressed-in tube receptacles | 0.3 C <sub>v</sub> | Manifold base "plug-in" |        |

### OPERATIONAL BENEFITS

1. Balanced poppet, immune to variations of pressure.
2. Patented solenoid develops high shifting forces.
3. Short stroke with high flow.
4. Higher forces result in lower wattages for given flow.
5. Powerful return spring.



- 33
- 34
- 36
- 32
- 37
- 38
- 52
- 67
- 69
- 44
- 46**
- 42
- 47
- 48P

### HOW TO ORDER

| Port size                                    | Single solenoid                      | Double solenoid                      |
|--|--------------------------------------|--------------------------------------|
|  |                                      |                                      |
| <b>Valve less base</b>                       | 46A-L00-00-J <b>XX</b> P- <b>XXX</b> | 46A-N00-00-J <b>XX</b> P- <b>XXX</b> |
| <b>1/8" NPTF</b>                             | 46A-LSA-AC-J <b>XX</b> P- <b>XXX</b> | 46A-NSA-BL-J <b>XX</b> P- <b>XXX</b> |
| <b>5/32 O.D. Pressed-in tube receptacles</b> | 46A-LSF-AC-J <b>XX</b> P- <b>XXX</b> | 46A-NSF-BL-J <b>XX</b> P- <b>XXX</b> |

### SOLENOID OPERATOR >

J **XX** P-**XXX**\* (-G) Add "G" for ground

| <b>XX</b> Voltage                   | <b>X</b> Manual operator | <b>XX</b> Electrical connection       |
|-------------------------------------|--------------------------|---------------------------------------|
| <b>Single &amp; double solenoid</b> | <b>1</b> Non-locking     | <b>FA</b> Base plug-in                |
| <b>AA</b> 120 VAC (5,4W)            | <b>2</b> Locking         | <b>FB</b> Base plug-in with diode     |
| <b>AC</b> 24 VAC (5,4W)             |                          | <b>FG</b> Base plug-in with rectifier |
| <b>DA</b> 24 VDC (5,4W)             |                          |                                       |
| <b>DB</b> 12 VDC (5,4W)             |                          |                                       |
| <b>Single solenoid only</b>         |                          |                                       |
| <b>DC</b> 24 VDC (2,4W)             |                          |                                       |
| <b>DD</b> 12 VDC (2,4W)             |                          |                                       |

- 48
- 400
- 92
- 93
- ISO 01
- ISO 02
- ISO 1
- ISO 2
- ISO 3

\* Other options available, see page 317.  
 Note : AC voltage requires connector with rectifier. Double solenoid requires minimum 5.4 watts.

### OPTIONS

46A-LSB-AC-J**XX**P-**XXX**

- C** Single solenoid - Side cylinder ports
- L** Single & double solenoid - Bottom cylinder ports
- O** Base only - no valve
- L** Single solenoid - Base mount body
- M** Single solenoid - Base mount body with gage port
- N** Double solenoid - Base mount body
- P** Double solenoid - Base mount body with gage port

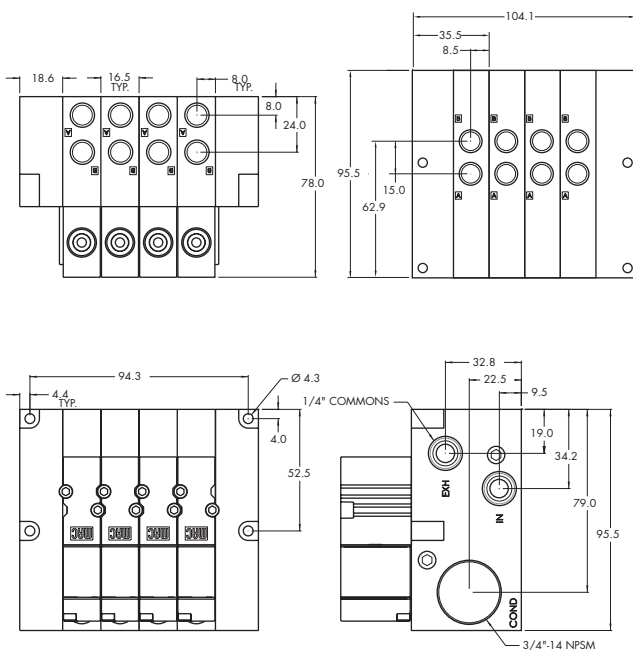
Example : base only : 46A-OSA-AC.  
 End plate kit required (port size 1/4") : M-46003-01.

**TECHNICAL DATA**

|                            |   |
|----------------------------|---|
| <b>Fluid :</b>             | Compressed air, vacuum, inert gases   |
| <b>Pressure range :</b>    | Vacuum to 120 PSI   |
| <b>Lubrication :</b>       | Not required, if used select a medium aniline point lubricant (between 180°F and 210°F)       |
| <b>Filtration :</b>        | 40 µ  |
| <b>Temperature range :</b> | 0°F to 120°F (-18°C to +50°C)   |
| <b>Orific e</b>            | 3.3 mm  |
| <b>Flow :</b>              | 1.8W : (0.20 C <sub>v</sub> ) – 2.4W : (0.20 C <sub>v</sub> ) – 5.4W : (0.30 C <sub>v</sub> ) |
| <b>Coil :</b>              | Epoxy encapsulated – Class A wires – 100% ED  |
| <b>Voltage range :</b>     | -15% to +10% of nominal voltage   |
| <b>Protection :</b>        | IP54 (electrical connection)  |
| <b>Power :</b>             | 5.4W – 2.4W – 1.8W  |
| <b>Response times :</b>    | Energize : 7.20 ms<br>De-energize : 4.20ms  |

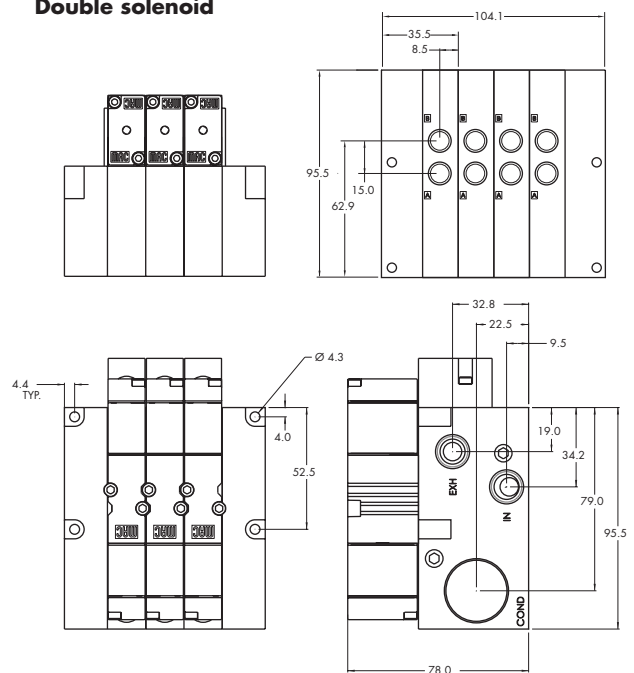
- Options :
- BSPP threads
- Spare parts :
- Inlet isolator : 28501 • Exhaust isolator : 28502 • Valve cover plate : M-46002
  - Tie rod (x2) : 79443

**DIMENSIONS**



Dimensions shown are metric (mm)

**Double solenoid**





# Direct solenoid and solenoid pilot operated valves

| Function   | Port size   | Flow [Max]               | Manifold mounting                                | Series |
|------------|---|--------------------------|--|--------|
| <b>4/2</b> | <b>1/8" - 5/32 O.D. Pressed-in tube receptacles</b> | <b>0.3 C<sub>v</sub></b> | Manifold base "plug-in" with pressure regulators |        |

### OPERATIONAL BENEFITS

1. Balanced poppet, immune to variations of pressure.
2. Patented solenoid develops high shifting forces.
3. Short stroke with high flow.
4. Higher forces result in lower wattages for given flow.
5. Powerful return spring.



- 33
- 34
- 36
- 32
- 37
- 38
- 52
- 67
- 69
- 44

### HOW TO ORDER

| Port size<br>(Bottom ports only)             | Model number                         |
|--|--------------------------------------|
| <b>Valve less base</b>                       | 46A-L00-00-J <b>XX</b> P- <b>XXX</b> |
| <b>1/8" NPTF</b>                             | 46A-LSA-AJ-J <b>XX</b> P- <b>XXX</b> |
| <b>5/32 O.D. Pressed-in tube receptacles</b> | 46A-LSF-AJ-J <b>XX</b> P- <b>XXX</b> |



- 46
- 42

### SOLENOID OPERATOR >

J **XX** P-**XXX**\* (-G) Add "G" for ground

| <b>XX</b> Voltage        | <b>X</b> Manual operator      | <b>XX</b> Electrical connection       |
|--------------------------|-------------------------------|---------------------------------------|
| <b>AA</b> 120 VAC (5.4W) | <b>1</b> Non-locking recessed | <b>FA</b> Base plug-in                |
| <b>DA</b> 24 VDC (5.4W)  | <b>2</b> Locking recessed     | <b>FB</b> Base plug-in with diode     |
| <b>DB</b> 12 VDC (5.4W)  |                               | <b>FG</b> Base plug-in with rectifier |
| <b>DC</b> 24 VDC (2.4W)  |                               |                                       |

- 47
- 48P
- 48

\* Other options available, see page 317.  
Note : AC voltage requires connector with rectifier.

### OPTIONS

46A-LSA-AJ-J**XX**P-**XXX**

- J** Regulator with adjusting knob
- E** Regulator with slotted stem
- G** Regulator with slotted stem with locknut
- O** Base only – no valve
- L** Base mount body
- M** Base mount body with gage port

Example : base only with regulator : 46A-0SA-AJ.  
End plate kit required (port size 1/4") : M-46003-01.

- 400
- 92
- 93
- ISO 01
- ISO 02
- ISO 1
- ISO 2
- ISO 3

**TECHNICAL DATA**

|                            |   |
|----------------------------|---|
| <b>Fluid :</b>             | Compressed air, vacuum, inert gases   |
| <b>Pressure range :</b>    | Vacuum to 120 PSI   |
| <b>Lubrication :</b>       | Not required, if used select a medium aniline point lubricant (between 180°F and 210°F)       |
| <b>Filtration :</b>        | 40 μ  |
| <b>Temperature range :</b> | 0°F to 120°F (-18°C to +50°C)   |
| <b>Flow :</b>              | 1.8W : (0.20 C <sub>v</sub> ) – 2.4W : (0.20 C <sub>v</sub> ) – 5.4W : (0.30 C <sub>v</sub> ) |
| <b>Coil :</b>              | Class A continuous duty, #22 AWG x 12 base leads  |
| <b>Voltage range :</b>     | -15% to +10% of nominal voltage   |
| <b>Protection :</b>        | Consult factory   |
| <b>Power :</b>             | 5.4W – 2.4W – 1.8W  |
| <b>Response times :</b>    | Energize : 7.20 ms  |
| <b>(with 5.4 W coil)</b>   | De-energize : 4.20ms  |

Options :

Spare parts :

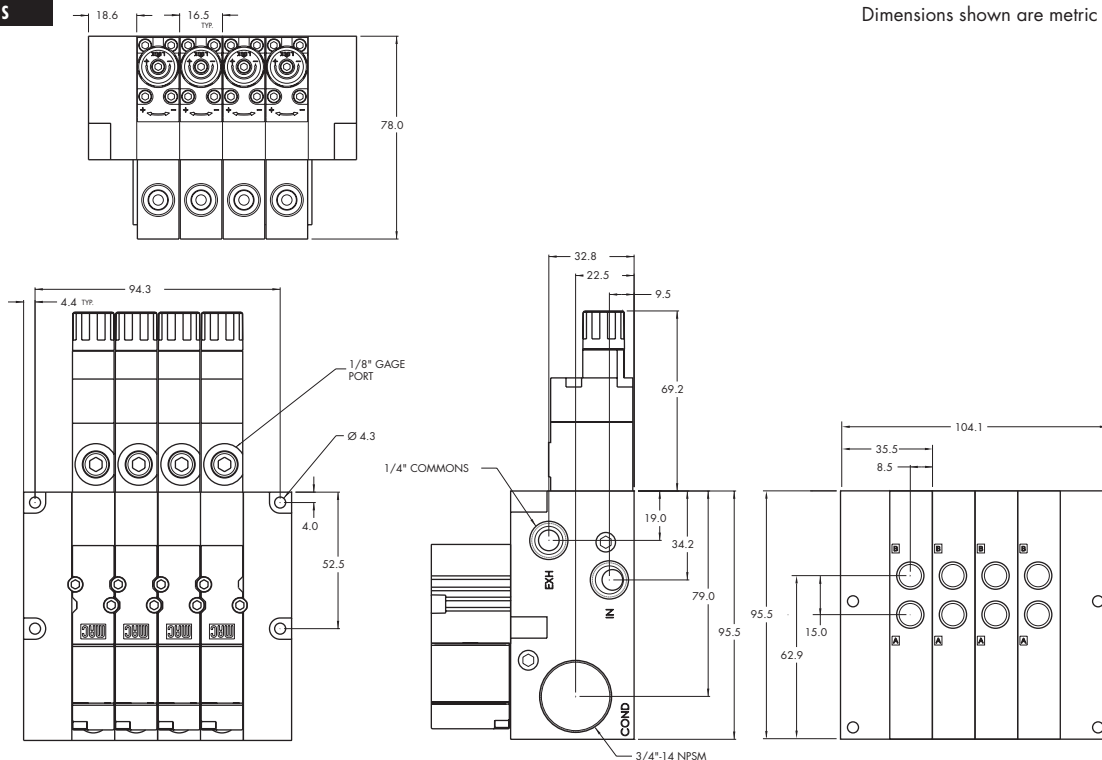
- BSPP threads
- Inlet isolator : 28501 • Exhaust isolator : 28502 • Valve cover plate : M-46002 • Tie rod (x2) : 79443
- Replacement regulators : PR46A-OAAA (slotted stem)  
PR46A-OBAA (adjusting knob)  
PR46A-OCAA (slotted stem with locknut)

Regulating range options :

- PR46A-xxx**A**
  - A** 0 to 120 PSI
  - B** 0 to 80 PSI
  - C** 0 to 30 PSI

**DIMENSIONS**

Dimensions shown are metric (mm)



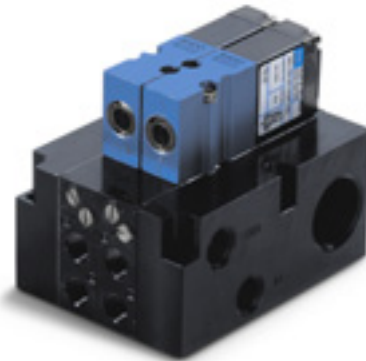


# Direct solenoid and solenoid pilot operated valves

| Function | Port size                                    | Flow [Max]         | Manifold mounting                          | Series |
|----------|--|--------------------|--|--------|
| 4/2      | 1/8" - 5/32 O.D. Pressed-in tube receptacles | 0.3 C <sub>v</sub> | Manifold base "plug-in" with flow controls |        |

### OPERATIONAL BENEFITS

1. Balanced poppet, immune to variations of pressure.
2. Patented solenoid develops high shifting forces.
3. Short stroke with high flow.
4. Higher forces result in lower wattages for given flow.
5. Powerful return spring.



33  
34  
36  
32  
37  
38  
52  
67  
69  
44

46

42

47

48P

48

400

92

93

ISO 01

ISO 02

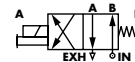
ISO 1

ISO 2

ISO 3

### HOW TO ORDER

| Port size                             | Model number                         |
|---------------------------------------|--------------------------------------|
| Valve less base                       | 46A-L00-00-J <b>XX</b> P- <b>XXX</b> |
| 1/8" NPTF                             | 46A-LSA-AD-J <b>XX</b> P- <b>XXX</b> |
| 5/32 O.D. Pressed-in tube receptacles | 46A-LSF-AD-J <b>XX</b> P- <b>XXX</b> |



### SOLENOID OPERATOR ▶

J **XX** P-**XXX**\* (-G) Add "G" for ground

| XX Voltage        | X Manual operator      | XX Electrical connection       |
|-------------------|------------------------|--------------------------------|
| AA 120 VAC (5.4W) | 1 Non-locking recessed | FA Base plug-in                |
| DA 24 VDC (5.4W)  | 2 Locking recessed     | FB Base plug-in with diode     |
| DB 12 VDC (5.4W)  |                        | FG Base plug-in with rectifier |
| DC 24 VDC (2.4W)  |                        |                                |

\* Other options available, see page 317.  
Note: AC voltage requires connector with rectifier.

### OPTIONS

46A-LSA-AD-J**XX**P-**XXX**

- D** Side cylinder ports
- M** Bottom cylinder ports
- O** Base only – no valve
- L** Base mount body
- M** Base mount body with gage port

Example: base only with flow controls: 46A-OSA-AD.  
End plate kit required (port size 1/4"): M-46003-01.

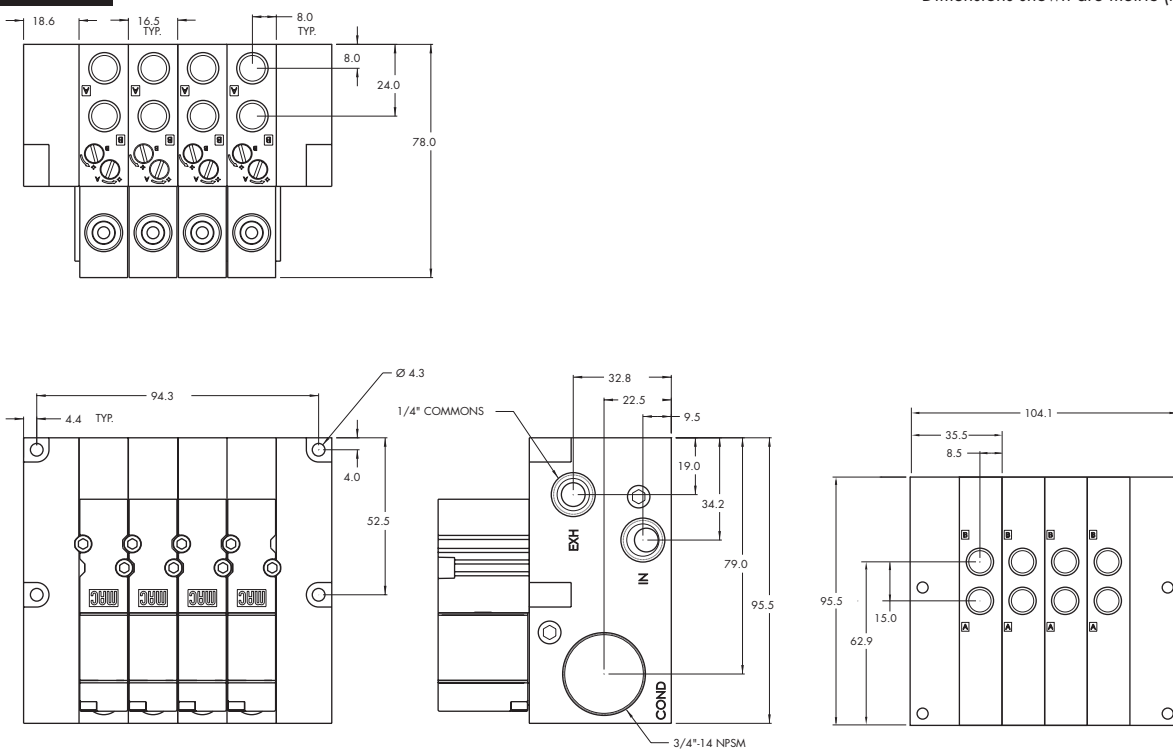
**TECHNICAL DATA**

|                            |   |
|----------------------------|---|
| <b>Fluid :</b>             | Compressed air, vacuum, inert gases   |
| <b>Pressure range :</b>    | Vacuum to 120 PSI   |
| <b>Lubrication :</b>       | Not required, if used select a medium aniline point lubricant (between 180°F and 210°F)       |
| <b>Filtration :</b>        | 40 μ  |
| <b>Temperature range :</b> | 0°F to 120°F (-18°C to +50°C)   |
| <b>Flow :</b>              | 1.8W : (0.20 C <sub>v</sub> ) – 2.4W : (0.20 C <sub>v</sub> ) – 5.4W : (0.30 C <sub>v</sub> ) |
| <b>Coil :</b>              | Class A continuous duty, #22 AWG x 12 base leads  |
| <b>Voltage range :</b>     | -15% to +10% of nominal voltage   |
| <b>Protection :</b>        | Consult factory   |
| <b>Power :</b>             | 5.4W – 2.4W – 1.8W  |
| <b>Response times :</b>    | Energize : 7.20 ms<br>De-energize : 4.20ms  |

- Options :
- BSPP threads
- Spare parts :
- Inlet isolator : 28501 • Exhaust isolator : 28502 • Valve cover plate : M-46002
  - Tie rod (x2) : 79443

**DIMENSIONS**

Dimensions shown are metric (mm)



| Function   | Port size   | Flow [Max]               | Manifold mounting                    | Series |
|------------|---|--------------------------|--------------------------------------|--------|
| <b>4/2</b> | <b>1/8" - 5/32 O.D. Pressed-in tube receptacles</b> | <b>0.3 C<sub>v</sub></b> | Manifold base "plug-in" with PR & FC |        |

### OPERATIONAL BENEFITS

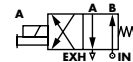
1. Balanced poppet, immune to variations of pressure.
2. Patented solenoid develops high shifting forces.
3. Short stroke with high flow.
4. Higher forces result in lower wattages for given flow.
5. Powerful return spring.



33  
34  
36  
32  
37  
38  
52  
67  
69  
44

### HOW TO ORDER

| Port size<br>(Bottom ports only)      | Model number                |
|---------------------------------------|-----------------------------|
| Valve less base                       | 46A-L00-00-J <b>XXP-XXX</b> |
| 1/8" NPTF                             | 46A-LSA-AK-J <b>XXP-XXX</b> |
| 5/32 O.D. Pressed-in tube receptacles | 46A-LSF-AK-J <b>XXP-XXX</b> |



46  
42

### SOLENOID OPERATOR >

J **XX P-XXX**\* (-G) Add "G" for ground

| XX Voltage               | X Manual operator             | XX Electrical connection              |
|--------------------------|-------------------------------|---------------------------------------|
| <b>AA</b> 120 VAC (5.4W) | <b>1</b> Non-locking recessed | <b>FA</b> Base plug-in                |
| <b>DA</b> 24 VDC (5.4W)  | <b>2</b> Locking recessed     | <b>FB</b> Base plug-in with diode     |
| <b>DB</b> 12 VDC (5.4W)  |                               | <b>FG</b> Base plug-in with rectifier |
| <b>DC</b> 24 VDC (2.4W)  |                               |                                       |

47  
48P  
48

\* Other options available, see page 317.  
Note : AC voltage requires connector with rectifier.

### OPTIONS

| 46A-LSA-AK-J <b>XXP-XXX</b> |  |
|-----------------------------|--|
| <b>K</b>                    | Regulator with adjusting knob & flow controls            |
| <b>F</b>                    | Regulator with slotted stem & flow controls              |
| <b>H</b>                    | Regulator with slotted stem with locknut & flow controls |
| <b>O</b>                    | Base only - no valve                                     |
| <b>L</b>                    | Base mount body  |
| <b>M</b>                    | Base mount body with gage port                           |

Example : base only with regulator : 46A-OSA-AK.  
End plate kit required (port size 1/4") : M-46003-01.

400  
92  
93  
ISO 01  
ISO 02  
ISO 1  
ISO 2  
ISO 3



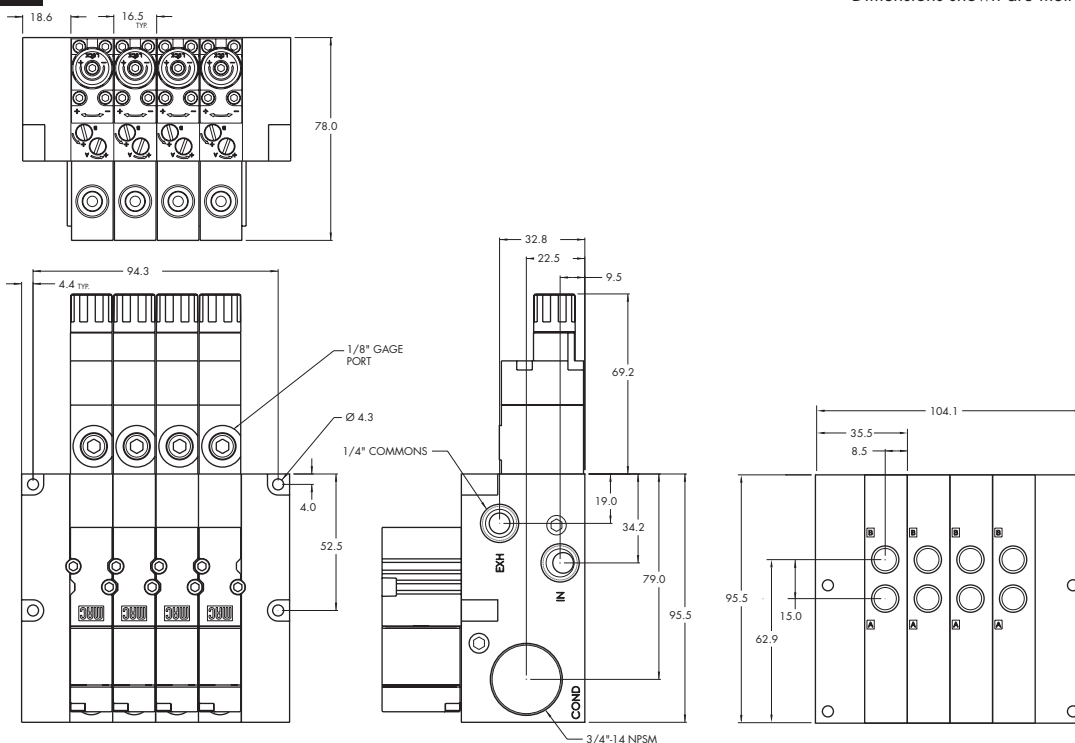
**TECHNICAL DATA**

|                            |   |
|----------------------------|---|
| <b>Fluid :</b>             | Compressed air, vacuum, inert gases   |
| <b>Pressure range :</b>    | Vacuum to 120 PSI   |
| <b>Lubrication :</b>       | Not required, if used select a medium aniline point lubricant (between 180°F and 210°F)       |
| <b>Filtration :</b>        | 40 µ  |
| <b>Temperature range :</b> | 0°F to 120°F (-18°C to +50°C)   |
| <b>Flow :</b>              | 1.8W : (0.20 C <sub>v</sub> ) – 2.4W : (0.20 C <sub>v</sub> ) – 5.4W : (0.30 C <sub>v</sub> ) |
| <b>Coil :</b>              | Class A continuous duty, #22 AWG x 12 base leads  |
| <b>Voltage range :</b>     | -15% to +10% of nominal voltage   |
| <b>Protection :</b>        | Consult factory   |
| <b>Power :</b>             | 5.4W – 2.4W – 1.8W  |
| <b>Response times :</b>    | Energize : 7.20 ms<br>De-energize : 4.20ms  |

- Options :  
Spare parts :
- BSPP threads
  - Inlet isolator : 28501 • Exhaust isolator : 28502 • Valve cover plate : M-46002 • Tie rod (x2) : 79443
  - Replacement regulators : PR46A-OAAA (slotted stem)  
PR46A-OBAA (adjusting knob)  
PR46A-OCAA (slotted stem with locknut)
- Regulating range options : • PR46A-xxx**A**
- A** 0 to 120 PSI
  - B** 0 to 80 PSI
  - C** 0 to 30 PSI

**DIMENSIONS**

Dimensions shown are metric (mm)



Individual mounting

|                        |                    |   |   |
|------------------------|--------------------|---|---|
| Sub-base non "plug-in" | Sub-base "plug-in" | Sub-base/manifold base non "plug-in" with latching solenoid | Sub-base/manifold base "plug-in" with latching solenoid |
|------------------------|--------------------|---|---|

Manifold mounting

|                             |                         |   |   |
|-----------------------------|-------------------------|---|---|
| Manifold base non "plug-in" | Manifold base "plug-in" | Sub-base/manifold base non "plug-in" with latching solenoid | Sub-base/manifold base "plug-in" with latching solenoid |
|-----------------------------|-------------------------|---|---|

Series

33

34

36

32

37

38

52

67

69

44

46

42

47

48P

48

48

48

48

48

400

92

92

93

93

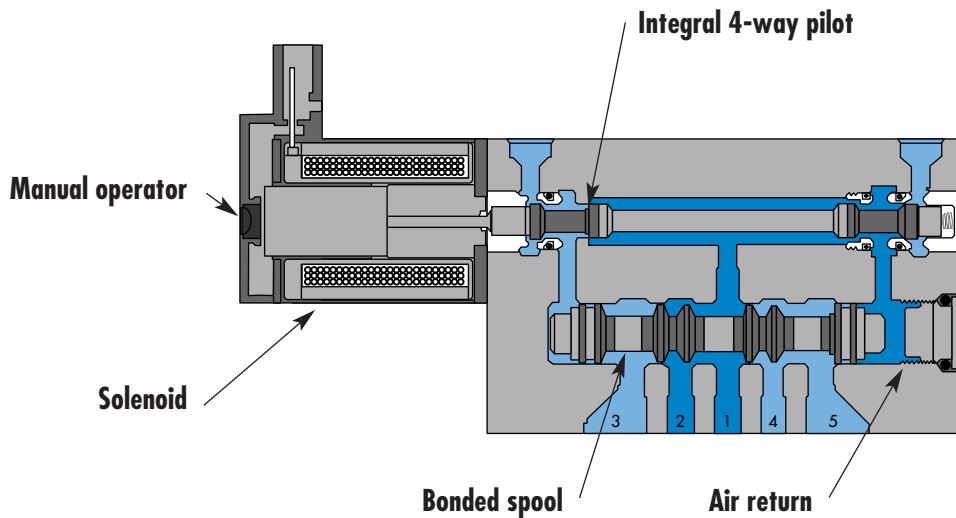
ISO 01

ISO 02

ISO 1

ISO 2

ISO 3



**SERIES FEATURES**

- High force MACSOLENOID®.
- Integral 4-way pilot design.
- Single or dual pressure.
- Internal or external pilot.
- Single or double solenoid.
- 2 or 3 position.
- Rectified AC voltage.
- Latching solenoid technology.



# Direct solenoid and solenoid pilot operated valves

| Function | Port size                              | Flow [Max]         | Individual mounting    | Series |
|----------|--|--------------------|------------------------|--------|
| 5/2, 5/3 | # 10-32 -<br>1/4" O.D. tube receptacle | 0.4 C <sub>v</sub> | Sub-base non "plug-in" |        |

### OPERATIONAL BENEFITS

1. 4-way valve with 4-way integral pilot.
2. 10 mm valve (stacks on 10.5 mm centers).
3. High flow (up to 0.4 C<sub>v</sub>).
4. Fast repeatable response times.
5. Maximum shifting forces in both directions.
6. Long life.



33  
34  
36  
32  
37  
38  
52  
67  
69  
44  
46

42  
47  
48P

### HOW TO ORDER

#### SINGLE PRESSURE MODELS (VALVE WITH BASE CODED FOR SIDE PORTS)

| Port size                  | Pilot air | 5/2 Single solenoid  | 5/2 Double solenoid  | 5/3 Closed center    | 5/3 Open center      |
|----------------------------|-----------|----------------------|----------------------|----------------------|----------------------|
|                            |           |                      |                      |                      |                      |
| Valve less base            | Internal  | 42B-AMA-000-Gxxx-xxx | 42B-BMA-000-Gxxx-xxx | 42B-EMA-000-Gxxx-xxx | 42B-FMA-000-Gxxx-xxx |
|                            | External  | 42B-AMD-000-Gxxx-xxx | 42B-BMD-000-Gxxx-xxx | 42B-EMD-000-Gxxx-xxx | 42B-FMD-000-Gxxx-xxx |
| # 10-32                    | Internal  | 42B-AMA-AAL-Gxxx-xxx | 42B-BMA-AAL-Gxxx-xxx | 42B-EMA-AAL-Gxxx-xxx | 42B-FMA-AAL-Gxxx-xxx |
|                            | External  | 42B-AMD-AAM-Gxxx-xxx | 42B-BMD-AAM-Gxxx-xxx | 42B-EMD-AAM-Gxxx-xxx | 42B-FMD-AAM-Gxxx-xxx |
| 1/4" O.D. tube receptacles | Internal  | 42B-AMA-EAL-Gxxx-xxx | 42B-BMA-EAL-Gxxx-xxx | 42B-EMA-EAL-Gxxx-xxx | 42B-FMA-EAL-Gxxx-xxx |
|                            | External  | 42B-AMD-EAM-Gxxx-xxx | 42B-BMD-EAM-Gxxx-xxx | 42B-EMD-EAM-Gxxx-xxx | 42B-FMD-EAM-Gxxx-xxx |

#### DUAL PRESSURE MODELS (VALVE WITH BASE CODED FOR SIDE PORTS)

| Port size                  | Pilot air               | 5/2 Single solenoid  | 5/2 Double solenoid  | 5/3 Pressure center  |
|----------------------------|-------------------------|----------------------|----------------------|----------------------|
|                            |                         |                      |                      |                      |
| Valve less base            | Internal Supply #3 port | 42B-CMB-000-Gxxx-xxx | 42B-DMB-000-Gxxx-xxx | 42B-HMB-000-Gxxx-xxx |
|                            | Internal Supply #5 port | 42B-CMC-000-Gxxx-xxx | 42B-DMC-000-Gxxx-xxx | 42B-HMC-000-Gxxx-xxx |
| # 10-32                    | External Supply #3 port | 42B-CMD-000-Gxxx-xxx | 42B-DMD-000-Gxxx-xxx | 42B-HMD-000-Gxxx-xxx |
|                            | External Supply #5 port | 42B-CMB-AAL-Gxxx-xxx | 42B-DMB-AAL-Gxxx-xxx | 42B-HMB-AAL-Gxxx-xxx |
| 1/4" O.D. tube receptacles | External Supply #3 port | 42B-CMC-AAL-Gxxx-xxx | 42B-DMC-AAL-Gxxx-xxx | 42B-HMC-AAL-Gxxx-xxx |
|                            | External Supply #5 port | 42B-CMD-AAM-Gxxx-xxx | 42B-DMD-AAM-Gxxx-xxx | 42B-HMD-AAM-Gxxx-xxx |
|                            | Internal Supply #3 port | 42B-CMB-EAL-Gxxx-xxx | 42B-DMB-EAL-Gxxx-xxx | 42B-HMB-EAL-Gxxx-xxx |
|                            | Internal Supply #5 port | 42B-CMC-EAL-Gxxx-xxx | 42B-DMC-EAL-Gxxx-xxx | 42B-HMC-EAL-Gxxx-xxx |
|                            | External                | 42B-CMD-EAM-Gxxx-xxx | 42B-DMD-EAM-Gxxx-xxx | 42B-HMD-EAM-Gxxx-xxx |

48  
400

92  
93

ISO 01  
ISO 02  
ISO 1  
ISO 2  
ISO 3

#### STANDARD SOLENOID OPERATOR >

G **XXX-XXX**\*

| XX Voltage        | X Wire length | X Manual operator      | XX Electrical connection                              |
|-------------------|---------------|------------------------|---|
| AA 120 VAC (2.5W) | A 18"         | 1 Non-locking recessed | BA Flying leads                                       |
| DC 24 VDC (1.8W)  | B 24"         | 2 Locking recessed     | BT Flying leads with light                            |
| DD 24 VDC (2.5W)  | C 36"         |                        | GA MAC JAC solenoid Plug-in                           |
| DF 24 VDC (4.0W)  |               |                        | KA Plug-in wire assy.                                 |
|                   |               |                        | KT Plug-in wire assy. with light                      |
|                   |               |                        | KD Plug-in wire assy. with rectifier & light & ground |

Note : AC voltage requires connector with rectifier.

\* Other options available, see page 311.

Latching solenoid available for 5/2 valves.

Other options available for the 42 series valves, see page 107.

**TECHNICAL DATA**

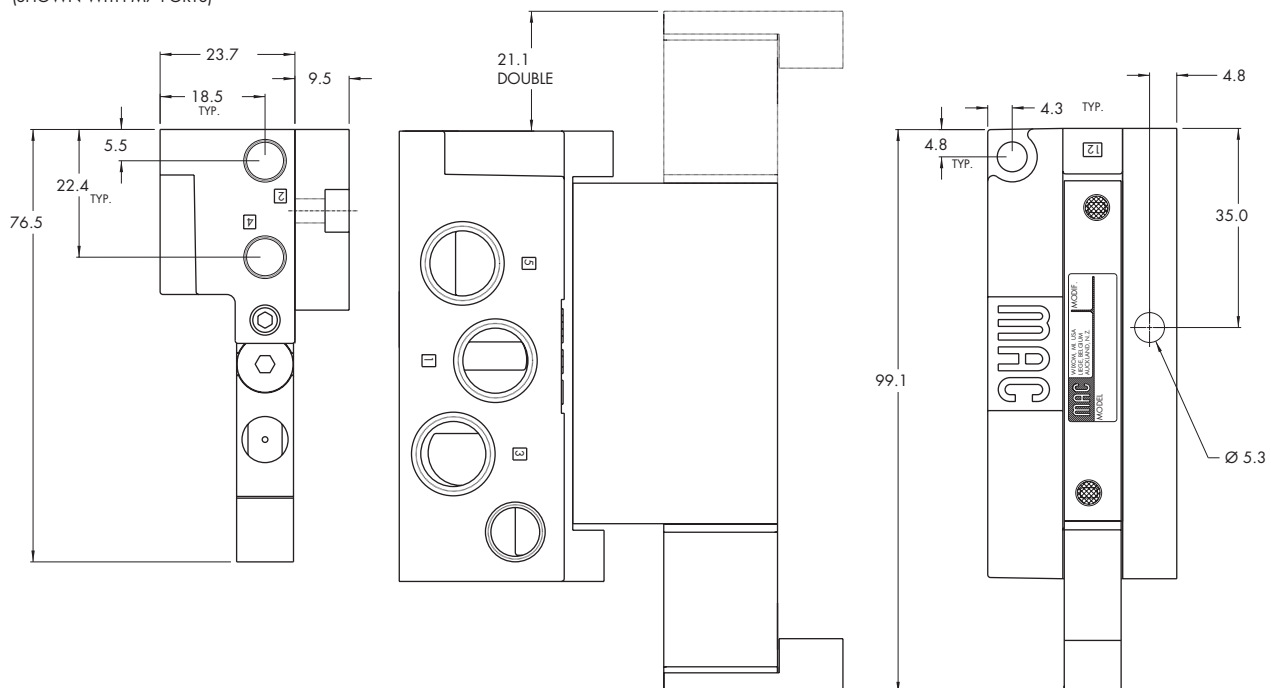
|  |   |
|--|---|
| <b>Fluid :</b>                                 | Compressed air, vacuum, inert gases   |
| <b>Pressure range :</b>                        | Internal Pilot - 2 pos. : 20 to 120 PSI      3 pos. : 40 to 120 PSI<br>External Pilot : vacuum to 120 PSI |
| <b>Pilot pressure :</b>                        | 2 position : 20 to 120 PSI      3 position : 40 to 120 PSI  |
| <b>Lubrication :</b>                           | Not required, if used select a medium aniline point lubricant (between 180°F and 210°F)                   |
| <b>Filtration :</b>                            | 40 µ  |
| <b>Temperature range :</b>                     | 0°F to 120°F (-18°C to +50°C)   |
| <b>Flow :</b>                                  | # 10-32 : (0.35 C <sub>v</sub> ) – 1/4" O.D. tube receptacle : (0.4 C <sub>v</sub> )                      |
| <b>Coil :</b>                                  | Class A wire (#22 AWG x 18), continuous duty  |
| <b>Voltage range :</b>                         | -15% to +10% of nominal voltage   |
| <b>Power :</b>                                 | 1.0 to 4.0 W  |
| <b>Response times :</b><br>(with 24V 4 W coil) | Energize : 5 ms<br>De-energize : 5 ms   |

- Options :
- M5 ports, M7 ports, 6 mm O.D. tube receptacles
  - Sandwich flow controls : FC42B-BB
  - Sandwich regulator : see 'Regulator' section

**DIMENSIONS**

Dimensions shown are metric (mm)

(SHOWN WITH M7 PORTS)





# Direct solenoid and solenoid pilot operated valves

| Function | Port size                              | Flow [Max]         | Individual mounting   | Series |
|----------|--|--------------------|-----------------------|--------|
| 5/2, 5/3 | # 10-32 -<br>1/4" O.D. tube receptacle | 0.4 C <sub>v</sub> | Sub-base<br>"plug-in" |        |

### OPERATIONAL BENEFITS

1. 4-way valve with 4-way integral pilot.
2. 10 mm valve (stacks on 10.5 mm centers).
3. High flow (up to 0.4 C<sub>v</sub>).
4. Fast repeatable response times.
5. Maximum shifting forces in both directions.
6. Long life.



- 33
- 34
- 36
- 32
- 37
- 38
- 52
- 67
- 69
- 44
- 46
- 42
- 47
- 48P
- 48
- 400
- 92
- 93
- ISO 01
- ISO 02
- ISO 1
- ISO 2
- ISO 3

### HOW TO ORDER

SINGLE PRESSURE MODELS (LED STANDARD EXCEPT FOR SINGLE SOLENOIDS) - MODELS CODED FOR SIDE PORTS

| Port size                         | Pilot air | 5/2<br>Single solenoid | 5/2<br>Double solenoid | 5/3<br>Closed center | 5/3<br>Open center   |
|-----------------------------------|-----------|------------------------|------------------------|----------------------|----------------------|
|                                   |           |                        |                        |                      |                      |
| <b>Valve less base</b>            | Internal  | 42B-AMA-000-GxxP-xxx   | 42B-BME-000-GxxP-xST   | 42B-EME-000-GxxP-xST | 42B-FME-000-GxxP-xST |
|                                   | External  | 42B-AMD-000-GxxP-xxx   | 42B-BMH-000-GxxP-xST   | 42B-EMH-000-GxxP-xST | 42B-FMH-000-GxxP-xST |
| <b># 10-32</b>                    | Internal  | 42B-AMA-AAA-GxxP-xxx   | 42B-BME-AAC-GxxP-xST   | 42B-EME-AAC-GxxP-xST | 42B-FME-AAC-GxxP-xST |
|                                   | External  | 42B-AMD-AAB-GxxP-xxx   | 42B-BMH-AAD-GxxP-xST   | 42B-EMH-AAD-GxxP-xST | 42B-FMH-AAD-GxxP-xST |
| <b>1/4" O.D. tube receptacles</b> | Internal  | 42B-AMA-EAA-GxxP-xxx   | 42B-BME-EAC-GxxP-xST   | 42B-EME-EAC-GxxP-xST | 42B-FME-EAC-GxxP-xST |
|                                   | External  | 42B-AMD-EAB-GxxP-xxx   | 42B-BMH-EAD-GxxP-xST   | 42B-EMH-EAD-GxxP-xST | 42B-FMH-EAD-GxxP-xST |

DUAL PRESSURE MODELS (LED STANDARD EXCEPT FOR SINGLE SOLENOIDS) - MODELS CODED FOR SIDE PORTS

| Port size                         | Pilot air | 5/2<br>Single solenoid                 | 5/2<br>Double solenoid | 5/3<br>Pressure center |
|-----------------------------------|-----------|--|------------------------|------------------------|
|                                   |           |  |                        |                        |
| <b>Valve less base</b>            | Internal  | Supply #3 port<br>42B-CMB-000-GxxP-xxx | 42B-DMF-000-GxxP-xST   | 42B-HMF-000-GxxP-xST   |
|                                   | Internal  | Supply #5 port<br>42B-CMC-000-GxxP-xxx | 42B-DMG-000-GxxP-xST   | 42B-HMG-000-GxxP-xST   |
|                                   | External  | 42B-CMD-000-GxxP-xxx                   | 42B-DMH-000-GxxP-xST   | 42B-HMH-000-GxxP-xST   |
| <b># 10-32</b>                    | Internal  | Supply #3 port<br>42B-CMB-AAA-GxxP-xxx | 42B-DMF-AAC-GxxP-xST   | 42B-HMF-AAC-GxxP-xST   |
|                                   | Internal  | Supply #5 port<br>42B-CMC-AAA-GxxP-xxx | 42B-DMG-AAC-GxxP-xST   | 42B-HMG-AAC-GxxP-xST   |
|                                   | External  | 42B-CMD-AAB-GxxP-xxx                   | 42B-DMH-AAD-GxxP-xST   | 42B-HMH-AAD-GxxP-xST   |
| <b>1/4" O.D. tube receptacles</b> | Internal  | Supply #3 port<br>42B-CMB-EAA-GxxP-xxx | 42B-DMF-EAC-GxxP-xST   | 42B-HMF-EAC-GxxP-xST   |
|                                   | Internal  | Supply #5 port<br>42B-CMC-EAA-GxxP-xxx | 42B-DMG-EAC-GxxP-xST   | 42B-HMG-EAC-GxxP-xST   |
|                                   | External  | 42B-CMD-EAB-GxxP-xxx                   | 42B-DMH-EAD-GxxP-xST   | 42B-HMH-EAD-GxxP-xST   |

STANDARD SOLENOID OPERATOR >

G **XX** P-**XXX**\*

| XX | Voltage        | X | Manual operator      | XX | Electrical connection                        |
|----|----------------|---|----------------------|----|--|
| AA | 120 VAC (2.5W) | 1 | Non-locking recessed | ST | Base plug-in                                 |
| DC | 24 VDC (1.8W)  | 2 | Locking recessed     | SA | Base plug-in                                 |
| DD | 24 VDC (2.5W)  |   |                      | SJ | Base plug-in with light                      |
| DF | 24 VDC (4.0W)  |   |                      | SS | Base plug-in with rectifier & light & ground |

Note : AC voltage requires connector with rectifier (for double solenoid consult factory).

\* Other options available, see page 311.

Other options available for the 42 series valves, see page 108.

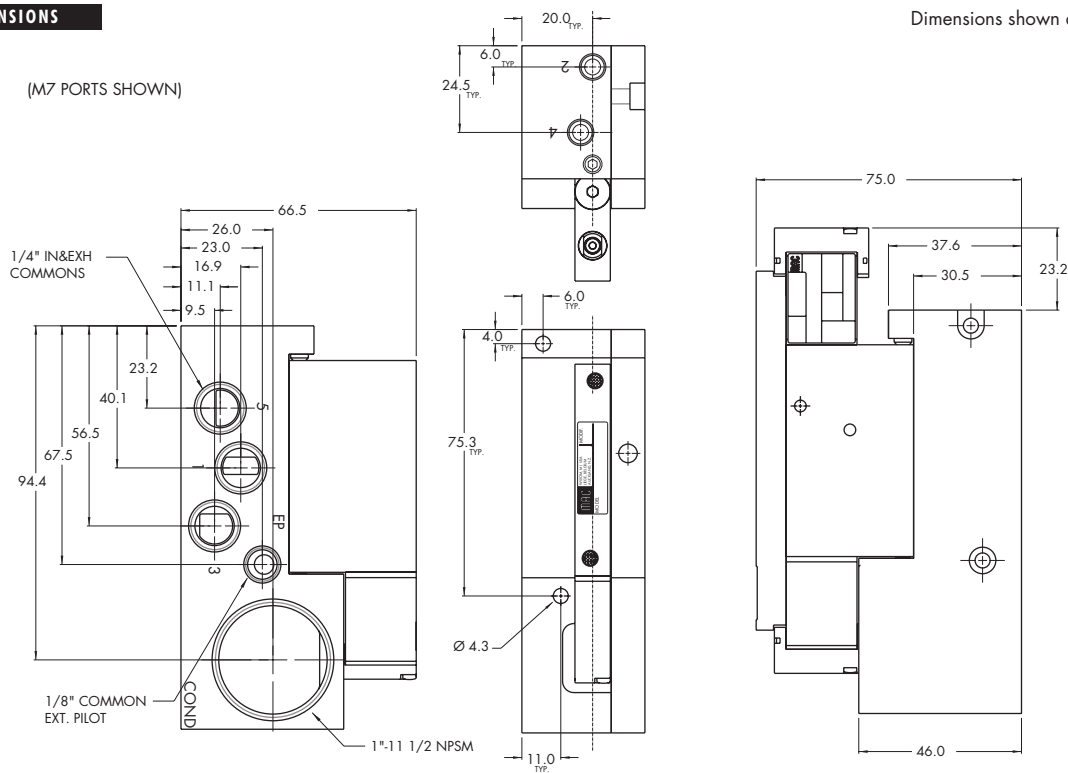
**TECHNICAL DATA**

|  |   |
|--|---|
| <b>Fluid :</b>                                 | Compressed air, vacuum, inert gases   |
| <b>Pressure range :</b>                        | Internal Pilot - 2 pos. : 20 to 120 PSI      3 pos. : 40 to 120 PSI<br>External Pilot : vacuum to 120 PSI |
| <b>Pilot pressure :</b>                        | 2 position : 20 to 120 PSI      3 position : 40 to 120 PSI  |
| <b>Lubrication :</b>                           | Not required, if used select a medium aniline point lubricant (between 180°F and 210°F)                   |
| <b>Filtration :</b>                            | 40 μ  |
| <b>Temperature range :</b>                     | 0°F to 120°F (-18°C to +50°C)   |
| <b>Flow :</b>                                  | # 10-32 : (0.35 C <sub>v</sub> ) – 1/4" O.D. tube receptacle : (0.4 C <sub>v</sub> )                      |
| <b>Coil :</b>                                  | Class A continuous duty, #22 AWG x 12 base leads  |
| <b>Voltage range :</b>                         | -15% to +10% of nominal voltage   |
| <b>Power :</b>                                 | 1.0 to 4.0 W  |
| <b>Response times :</b><br>(with 24V 4 W coil) | Energize : 5 ms<br>De-energize : 5 ms   |

- Options :
- M5 ports, M7 ports, 6 mm O.D. tube receptacles
  - Sandwich flow controls : FC42B-AB
  - Sandwich regulator : see 'Regulator' section

**DIMENSIONS**

Dimensions shown are metric (mm)



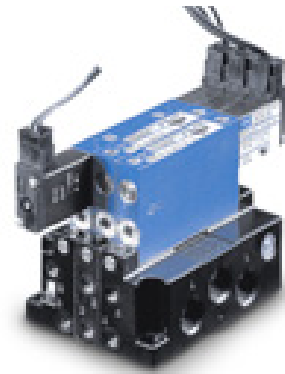


# Direct solenoid and solenoid pilot operated valves

| Function | Port size                              | Flow [Max]         | Manifold mounting           | Series |
|----------|--|--------------------|-----------------------------|--------|
| 5/2, 5/3 | # 10-32 -<br>1/4" O.D. tube receptacle | 0.4 C <sub>v</sub> | Manifold base non "plug-in" |        |

### OPERATIONAL BENEFITS

1. 4-way valve with 4-way integral pilot.
2. 10 mm valve (stacks on 10.5 mm centers).
3. High flow (up to 0.4 C<sub>v</sub>).
4. Fast repeatable response times.
5. Maximum shifting forces in both directions.
6. Long life.



33  
34  
36  
32  
37  
38  
52  
67  
69  
44  
46

### HOW TO ORDER

#### SINGLE PRESSURE MODELS (MIDDLE STATION MANIFOLDS WITH SIDE PORTS)

| Port size                  | Pilot air | 5/2 Single solenoid  | 5/2 Double solenoid  | 5/3 Closed center    | 5/3 Open center      |
|----------------------------|-----------|----------------------|----------------------|----------------------|----------------------|
|                            |           |                      |                      |                      |                      |
| Valve less base            | Internal  | 42B-AMA-000-Gxxx-xxx | 42B-BMA-000-Gxxx-xxx | 42B-EMA-000-Gxxx-xxx | 42B-FMA-000-Gxxx-xxx |
|                            | External  | 42B-AMD-000-Gxxx-xxx | 42B-BMD-000-Gxxx-xxx | 42B-EMD-000-Gxxx-xxx | 42B-FMD-000-Gxxx-xxx |
| # 10-32                    | Internal  | 42B-AMA-AJL-Gxxx-xxx | 42B-BMA-AJL-Gxxx-xxx | 42B-EMA-AJL-Gxxx-xxx | 42B-FMA-AJL-Gxxx-xxx |
|                            | External  | 42B-AMD-AJM-Gxxx-xxx | 42B-BMD-AJM-Gxxx-xxx | 42B-EMD-AJM-Gxxx-xxx | 42B-FMD-AJM-Gxxx-xxx |
| 1/4" O.D. tube receptacles | Internal  | 42B-AMA-EJL-Gxxx-xxx | 42B-BMA-EJL-Gxxx-xxx | 42B-EMA-EJL-Gxxx-xxx | 42B-FMA-EJL-Gxxx-xxx |
|                            | External  | 42B-AMD-EJM-Gxxx-xxx | 42B-BMD-EJM-Gxxx-xxx | 42B-EMD-EJM-Gxxx-xxx | 42B-FMD-EJM-Gxxx-xxx |

42  
47  
48P

#### DUAL PRESSURE MODELS (MIDDLE STATION MANIFOLDS WITH SIDE PORTS)

| Port size                  | Pilot air | 5/2 Single solenoid                    | 5/2 Double solenoid  | 5/3 Pressure center  |
|----------------------------|-----------|--|----------------------|----------------------|
|                            |           |  |                      |                      |
| Valve less base            | Internal  | Supply #3 port<br>42B-CMB-000-Gxxx-xxx | 42B-DMB-000-Gxxx-xxx | 42B-HMB-000-Gxxx-xxx |
|                            | External  | Supply #5 port<br>42B-CMC-000-Gxxx-xxx | 42B-DMC-000-Gxxx-xxx | 42B-HMC-000-Gxxx-xxx |
| # 10-32                    | Internal  | Supply #3 port<br>42B-CMB-AJL-Gxxx-xxx | 42B-DMB-AJL-Gxxx-xxx | 42B-HMB-AJL-Gxxx-xxx |
|                            | External  | Supply #5 port<br>42B-CMC-AJL-Gxxx-xxx | 42B-DMC-AJL-Gxxx-xxx | 42B-HMC-AJL-Gxxx-xxx |
| 1/4" O.D. tube receptacles | Internal  | Supply #3 port<br>42B-CMB-EJL-Gxxx-xxx | 42B-DMB-EJL-Gxxx-xxx | 42B-HMB-EJL-Gxxx-xxx |
|                            | External  | Supply #5 port<br>42B-CMC-EJL-Gxxx-xxx | 42B-DMC-EJL-Gxxx-xxx | 42B-HMC-EJL-Gxxx-xxx |

48  
400  
92  
93  
ISO 01  
ISO 02  
ISO 1  
ISO 2  
ISO 3

#### STANDARD SOLENOID OPERATOR >

G **XXX-XXX\***

| XX Voltage        | X Wire length | X Manual operator      | XX Electrical connection                              |
|-------------------|---------------|------------------------|---|
| AA 120 VAC (2.5W) | A 18"         | 1 Non-locking recessed | BA Flying leads                                       |
| DC 24 VDC (1.8W)  | B 24"         | 2 Locking recessed     | BT Flying leads with light                            |
| DD 24 VDC (2.5W)  | C 36"         |                        | GA MAC JAC solenoid plug-in                           |
| DF 24 VDC (4.0W)  |               |                        | KA Plug-in wire assy.                                 |
|                   |               |                        | KT Plug-in wire assy. with light                      |
|                   |               |                        | KD Plug-in wire assy. with rectifier & light & ground |

Note : - AC voltage requires connector with rectifier.

\* Other options available, see page 311.

Latching solenoid available for 5/2 valves.

Manifold assemblies consist of (1) left end manifold, (1) right end manifold, and middle station manifolds (options "J" or "K").

Other options available for the 42 series valves, see page 107.

**TECHNICAL DATA**

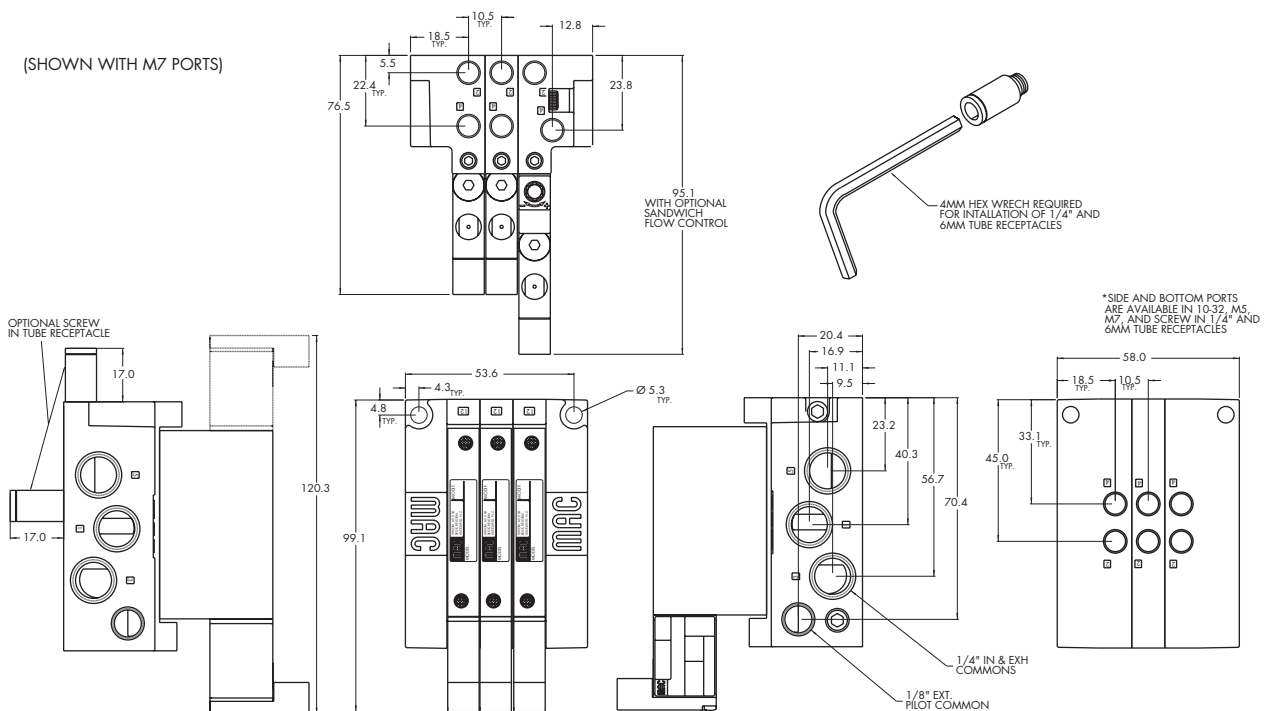
|  |   |
|--|---|
| <b>Fluid :</b>                                 | Compressed air, vacuum, inert gases   |
| <b>Pressure range :</b>                        | Internal Pilot - 2 pos. : 20 to 120 PSI      3 pos. : 40 to 120 PSI<br>External Pilot : vacuum to 120 PSI |
| <b>Pilot pressure :</b>                        | 2 position : 20 to 120 PSI      3 position : 40 to 120 PSI  |
| <b>Lubrication :</b>                           | Not required, if used select a medium aniline point lubricant (between 180°F and 210°F)                   |
| <b>Filtration :</b>                            | 40 µ  |
| <b>Temperature range :</b>                     | 0°F to 120°F (-18°C to +50°C)   |
| <b>Flow :</b>                                  | # 10-32 : (0.35 C <sub>v</sub> ) – 1/4" O.D. tube receptacle : (0.4 C <sub>v</sub> )                      |
| <b>Coil :</b>                                  | Class A wire (#22 AWG x 18), continuous duty  |
| <b>Voltage range :</b>                         | -15% to +10% of nominal voltage   |
| <b>Power :</b>                                 | 1.0 to 4.0 W  |
| <b>Response times :</b><br>(with 24V 4 W coil) | Energize : 5 ms<br>De-energize : 5 ms   |

Options :

- M5 ports, M7 ports, 6 mm O.D. tube receptacles
- Sandwich flow controls : FC42B-BB
- Sandwich regulator : see "regulators" section
- Isolator disk for inlet or exhaust: 28454
- Valve blanking plate : M-42004

**DIMENSIONS**

Dimensions shown are metric (mm)







# Direct solenoid and solenoid pilot operated valves

| Function | Port size                              | Flow [Max]         | Manifold mounting          | Series |
|----------|--|--------------------|----------------------------|--------|
| 5/2, 5/3 | # 10-32 -<br>1/4" O.D. tube receptacle | 0.4 C <sub>v</sub> | Manifold base<br>"plug-in" |        |

### OPERATIONAL BENEFITS

1. 4-way valve with 4-way integral pilot.
2. 10 mm valve (stacks on 10.5 mm centers).
3. High flow (up to 0.4 C<sub>v</sub>).
4. Fast repeatable response times.
5. Maximum shifting forces in both directions.
6. Long life.



33  
34  
36  
32  
37  
38  
52  
67  
69  
44  
46

42

47

48P

48

400

92

93

ISO 01

ISO 02

ISO 1

ISO 2

ISO 3

### HOW TO ORDER

SINGLE PRESSURE MODELS (LED STANDARD EXCEPT FOR SINGLE SOLENOIDS)

| Port size                  | Pilot air | 5/2 Single solenoid  | 5/2 Double solenoid  | 5/3 Closed center    | 5/3 Open center      |
|----------------------------|-----------|----------------------|----------------------|----------------------|----------------------|
|                            |           |                      |                      |                      |                      |
| Valve less base            | Internal  | 42B-AMA-000-GxxP-xxx | 42B-BME-000-GxxP-xST | 42B-EME-000-GxxP-xST | 42B-FME-000-GxxP-xST |
|                            | External  | 42B-AMD-000-GxxP-xxx | 42B-BMH-000-GxxP-xST | 42B-EMH-000-GxxP-xST | 42B-FMH-000-GxxP-xST |
| # 10-32                    | Internal  | 42B-AMA-AJA-GxxP-xxx | 42B-BME-AJC-GxxP-xST | 42B-EME-AJC-GxxP-xST | 42B-FME-AJC-GxxP-xST |
|                            | External  | 42B-AMD-AJB-GxxP-xxx | 42B-BMH-AJD-GxxP-xST | 42B-EMH-AJD-GxxP-xST | 42B-FMH-AJD-GxxP-xST |
| 1/4" O.D. tube receptacles | Internal  | 42B-AMA-EJA-GxxP-xxx | 42B-BME-EJC-GxxP-xST | 42B-EME-EJC-GxxP-xST | 42B-FME-EJC-GxxP-xST |
|                            | External  | 42B-AMD-EJB-GxxP-xxx | 42B-BMH-EJD-GxxP-xST | 42B-EMH-EJD-GxxP-xST | 42B-FMH-EJD-GxxP-xST |

DUAL PRESSURE MODELS (LED STANDARD EXCEPT FOR SINGLE SOLENOIDS)

| Port size                  | Pilot air | 5/2 Single solenoid                    | 5/2 Double solenoid  | 5/3 Pressure center  |
|----------------------------|-----------|--|----------------------|----------------------|
|                            |           |  |                      |                      |
| Valve less base            | Internal  | Supply #3 port<br>42B-CMB-000-GxxP-xxx | 42B-DMF-000-GxxP-xST | 42B-HMF-000-GxxP-xST |
|                            | External  | Supply #5 port<br>42B-CMC-000-GxxP-xxx | 42B-DMG-000-GxxP-xST | 42B-HMG-000-GxxP-xST |
| # 10-32                    | Internal  | Supply #3 port<br>42B-CMB-AJA-GxxP-xxx | 42B-DMF-AJC-GxxP-xST | 42B-HMF-AJC-GxxP-xST |
|                            | External  | Supply #5 port<br>42B-CMC-AJA-GxxP-xxx | 42B-DMG-AJC-GxxP-xST | 42B-HMG-AJC-GxxP-xST |
| 1/4" O.D. tube receptacles | Internal  | Supply #3 port<br>42B-CMB-EJA-GxxP-xxx | 42B-DMF-EJC-GxxP-xST | 42B-HMF-EJC-GxxP-xST |
|                            | External  | Supply #5 port<br>42B-CMC-EJA-GxxP-xxx | 42B-DMG-EJC-GxxP-xST | 42B-HMG-EJC-GxxP-xST |

STANDARD SOLENOID OPERATOR >

G **XX** P-**XXX**\*

Above numbers are middle station manifolds with side ports

| XX Voltage        | X Manual operator      | XX Electrical connection                        |
|-------------------|------------------------|---|
| AA 120 VAC (2.5W) | 1 Non-locking recessed | Double solenoid & 3 position models             |
| DC 24 VDC (1.8W)  | 2 Locking recessed     | ST Base plug-in                                 |
| DD 24 VDC (2.5W)  |                        | Single solenoid models                          |
| DF 24 VDC (4.0W)  |                        | SA Base plug-in                                 |
|                   |                        | SJ Base plug-in with light                      |
|                   |                        | SS Base plug-in with rectifier & light & ground |

\* Other options available, see page 311.

\*\* Latching solenoid available for 5/2 valves.

Note : - AC voltage requires connector with rectifier (for double solenoid consult factory).

- Manifold assemblies consist of (1) left end manifold, (1) right end manifold, and middle station manifolds (options "J" or "K").

Other options available for the 42 series valves, see page 108.

**TECHNICAL DATA**

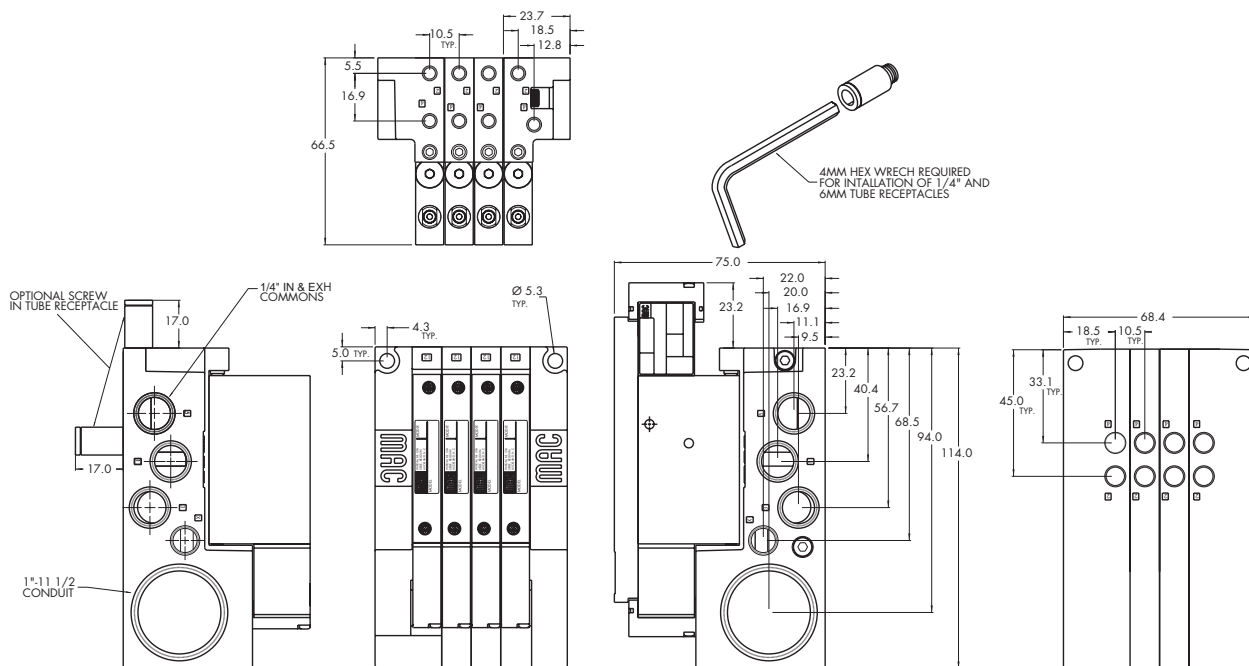
|  |   |
|--|---|
| <b>Fluid :</b>                                 | Compressed air, vacuum, inert gases   |
| <b>Pressure range :</b>                        | Internal Pilot - 2 pos. : 20 to 120 PSI      3 pos. : 40 to 120 PSI<br>External Pilot : vacuum to 120 PSI |
| <b>Pilot pressure :</b>                        | 2 position : 20 to 120 PSI      3 position : 40 to 120 PSI  |
| <b>Lubrication :</b>                           | Not required, if used select a medium aniline point lubricant (between 180°F and 210°F)                   |
| <b>Filtration :</b>                            | 40 μ  |
| <b>Temperature range :</b>                     | 0°F to 120°F (-18°C to +50°C)   |
| <b>Flow :</b>                                  | # 10-32 : (0.35 C <sub>v</sub> ) – 1/4" O.D. tube receptacle : (0.4 C <sub>v</sub> )                      |
| <b>Coil :</b>                                  | Class A continuous duty, #22 AWG x 12 base leads  |
| <b>Voltage range :</b>                         | -15% to +10% of nominal voltage   |
| <b>Power :</b>                                 | 1.0 to 4.0 W  |
| <b>Response times :</b><br>(with 24V 4 W coil) | Energize : 5 ms<br>De-energize : 5 ms   |

Options :

- M5 ports, M7 ports, 6 mm O.D. tube receptacles
- Sandwich flow controls : FC42B-AB
- Sandwich regulator : see "regulators" section
- Isolator disk for inlet or exhaust: 28454
- Valve blanking plate : M-42004
- Plug-in wire protector : 24180

**DIMENSIONS**

Dimensions shown are metric (mm)





# Direct solenoid and solenoid pilot operated valves

| Function   | Port size                                      | Flow [Max]               | Individual/Manifold mounting   | Series |
|------------|--|--------------------------|--|--------|
| <b>5/2</b> | <b># 10-32 -<br/>1/4" O.D. tube receptacle</b> | <b>0.4 C<sub>v</sub></b> | Sub-base/<br>manifold base<br>non "plug-in"<br>with latching<br>solenoid |        |

### OPERATIONAL BENEFITS

1. 4-way valve with 4-way integral pilot.
2. 10 mm valve (stacks on 10.5 mm centers).
3. High flow (up to 0.4 C<sub>v</sub>).
4. Fast repeatable response times.
5. Maximum shifting forces in both directions.
6. Long life.



Photo: Middle station manifold base

- 33
- 34
- 36
- 32
- 37
- 38
- 52
- 67
- 69
- 44
- 46
- 42
- 47
- 48P
- 48
- 400
- 92
- 93
- ISO 01
- ISO 02
- ISO 1
- ISO 2
- ISO 3

### HOW TO ORDER

#### SINGLE PRESSURE MODELS (INDIVIDUAL BASE WITH SIDE PORTS)

| Port size                             | Pilot air | 5/2 Single pressure  |  |
|---------------------------------------|-----------|----------------------|--|
|                                       |           |                      |  |
| <b>Valve less base</b>                | Internal  | 42A-AMA-000-Lxxx-xxx |  |
|                                       | External  | 42A-AMD-000-Lxxx-xxx |  |
| <b># 10-32</b>                        | Internal  | 42A-AMA-AAL-Lxxx-xxx |  |
|                                       | External  | 42A-AMD-AAM-Lxxx-xxx |  |
| <b>1/4" O.D.<br/>tube receptacles</b> | Internal  | 42A-AMA-EAL-Lxxx-xxx |  |
|                                       | External  | 42A-AMD-EAM-Lxxx-xxx |  |

#### DUAL PRESSURE MODELS (INDIVIDUAL BASE WITH SIDE PORTS)

| Port size                             | Pilot air |                | 5/2 Dual pressure    |  |
|---------------------------------------|-----------|----------------|----------------------|--|
|                                       |           |                |                      |  |
| <b>Valve less base</b>                | Internal  | Supply #3 port | 42A-CMB-000-Lxxx-xxx |  |
|                                       |           | Supply #5 port | 42A-CMC-000-Lxxx-xxx |  |
|                                       | External  |                | 42A-CMD-000-Lxxx-xxx |  |
| <b># 10-32</b>                        | Internal  | Supply #3 port | 42A-CMB-AAL-Lxxx-xxx |  |
|                                       |           | Supply #5 port | 42A-CMC-AAL-Lxxx-xxx |  |
|                                       | External  |                | 42A-CMD-AAM-Lxxx-xxx |  |
| <b>1/4" O.D.<br/>tube receptacles</b> | Internal  | Supply #3 port | 42A-CMB-EAL-Lxxx-xxx |  |
|                                       |           | Supply #5 port | 42A-CMC-EAL-Lxxx-xxx |  |
|                                       | External  |                | 42A-CMD-EAM-Lxxx-xxx |  |

#### LATCHING SOLENOID OPERATOR ➤

L **XXX-XXX\***

| XX | Voltage         | X | Wire length | X | Manual operator | XX | Electrical connection                              |
|----|-----------------|---|-------------|---|-----------------|----|--|
| DF | 24 VDC (4.0 W)  | A | 18"         | 0 | No operator     | BA | 2 Wire Flying leads                                |
| HA | 24 VDC (1.95 W) | B | 24"         |   |                 | KA | 2 Wire Plug-in Assembly                            |
|    |                 | C | 36"         |   |                 | LA | 3 wire plug-in assembly (polarity switching cover) |
|    |                 |   |             |   |                 | KE | 4-wire plug-in assembly                            |

\* Other options available, see page 319.

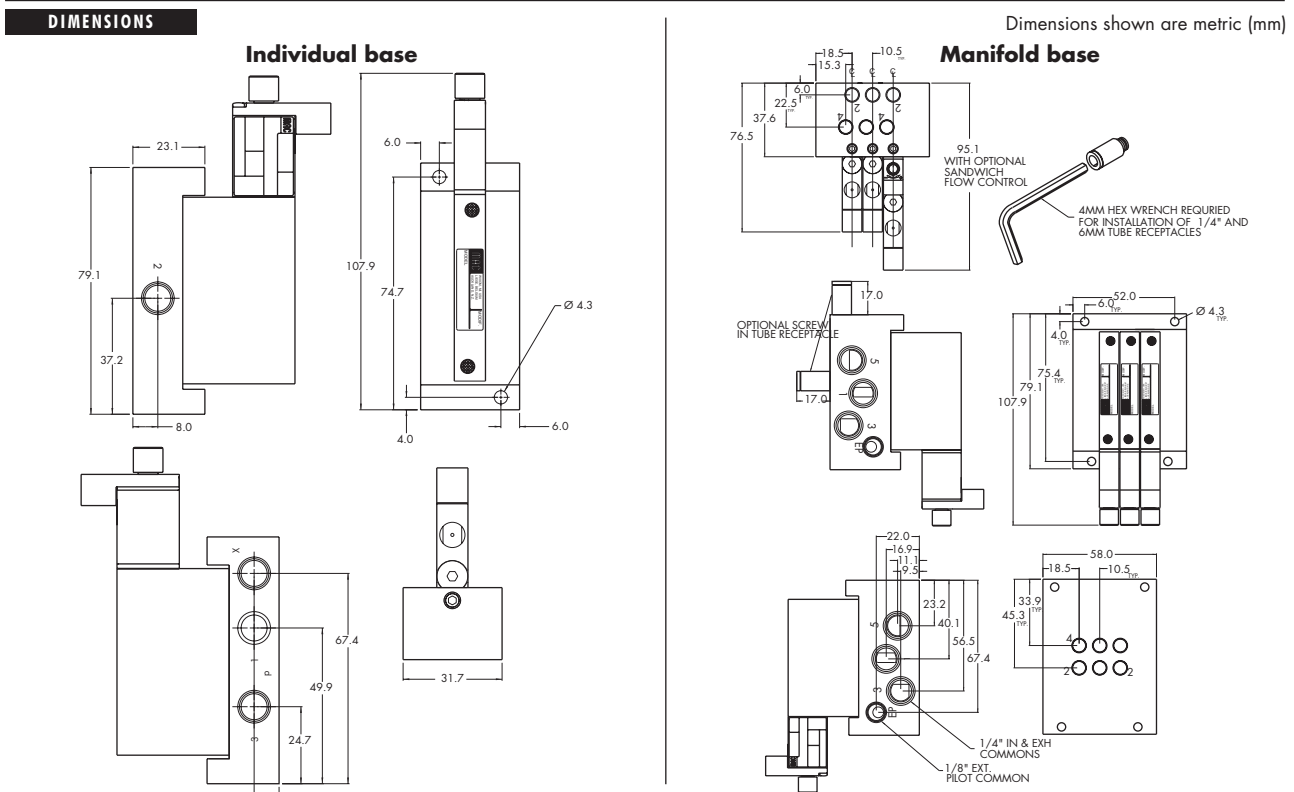
Note : Manifold assemblies consist of (1) left end manifold, (1) right end manifold, and middle station manifolds (options "J" or "K").

Other options available for the 42 series valves, see page 107.

| TECHNICAL DATA      |   |
|---------------------|---|
| Fluid :             | Compressed air, vacuum, inert gases   |
| Pressure range :    | Internal Pilot : 20 to 120 PSI<br>External Pilot : vacuum to 120 PSI                    |
| Pilot pressure :    | 20 to 120 PSI   |
| Lubrication :       | Not required, if used select a medium aniline point lubricant (between 180°F and 210°F) |
| Filtration :        | 40 $\mu$  |
| Temperature range : | 0°F to 120°F (-18°C to +50°C)   |
| Flow :              | # 10-32 : (0.35 C <sub>v</sub> ) – 1/4" O.D. tube receptacle : (0.4 C <sub>v</sub> )    |
| Coil :              | Class A wire (#22 AWG x 18), continuous duty  |
| Voltage range :     | -15% to +10% of nominal voltage   |
| Power :             | 1.95 to 4.0 W   |
| Response times :    | Energize : 5 ms<br>(with 24V 4 W coil)<br>De-energize : 5 ms                            |

Options :

- M5 ports, M7 ports, 6 mm O.D. tube receptacles • Sandwich flow controls : FC42B-BB
- Sandwich regulator : see "regulators" section • Isolator disk for inlet or exhaust: 28454
- Valve blanking plate : M-42004





# Direct solenoid and solenoid pilot operated valves

| Function   | Port size                                      | Flow [Max]               | Individual/Manifold mounting   | Series |
|------------|--|--------------------------|--|--------|
| <b>5/2</b> | <b># 10-32 -<br/>1/4" O.D. tube receptacle</b> | <b>0.4 C<sub>v</sub></b> | Sub-base/<br>manifold base<br>"plug-in"<br>with latching<br>solenoid |        |

### OPERATIONAL BENEFITS

1. 4-way valve with 4-way integral pilot.
2. 10 mm valve (stacks on 10.5 mm centers).
3. High flow (up to 0.4 C<sub>v</sub>).
4. Fast repeatable response times.
5. Maximum shifting forces in both directions.
6. Long life.



- 33
- 34
- 36
- 32
- 37
- 38
- 52
- 67
- 69
- 44
- 46
- 42**
- 47
- 48P

### HOW TO ORDER

#### SINGLE PRESSURE MODELS (2-WIRE INDIVIDUAL BASE WITH SIDE PORTS)

| Port size                             | Pilot air | 5/2 Single pressure  |
|---------------------------------------|-----------|----------------------|
|                                       |           |                      |
| <b>Valve less base</b>                | Internal  | 42A-AMA-000-LxxP-xxx |
|                                       | External  | 42A-AMD-000-LxxP-xxx |
| <b># 10-32</b>                        | Internal  | 42A-AMA-AAA-LxxP-xxx |
|                                       | External  | 42A-AMD-AAB-LxxP-xxx |
| <b>1/4" O.D.<br/>tube receptacles</b> | Internal  | 42A-AMA-EAA-LxxP-xxx |
|                                       | External  | 42A-AMD-EAB-LxxP-xxx |

#### DUAL PRESSURE MODELS (2-WIRE INDIVIDUAL BASE WITH SIDE PORTS)

| Port size                             | Pilot air               | 5/2 Dual pressure    |
|---------------------------------------|-------------------------|----------------------|
|                                       |                         |                      |
| <b>Valve less base</b>                | Internal Supply #3 port | 42A-CMB-000-LxxP-xxx |
|                                       | Internal Supply #5 port | 42A-CMC-000-LxxP-xxx |
|                                       | External                | 42A-CMD-000-LxxP-xxx |
| <b># 10-32</b>                        | Internal Supply #3 port | 42A-CMB-AAA-LxxP-xxx |
|                                       | Internal Supply #5 port | 42A-CMC-AAA-LxxP-xxx |
|                                       | External                | 42A-CMD-AAB-LxxP-xxx |
| <b>1/4" O.D.<br/>tube receptacles</b> | Internal Supply #3 port | 42A-CMB-EAA-LxxP-xxx |
|                                       | Internal Supply #5 port | 42A-CMC-EAA-LxxP-xxx |
|                                       | External                | 42A-CMD-EAB-LxxP-xxx |

- 48
- 400
- 92
- 93
- ISO 01
- ISO 02
- ISO 1
- ISO 2
- ISO 3

#### LATCHING SOLENOID OPERATOR >

L **XX** P-**XXX**\*

| XX Voltage               | X Manual operator    | XX Electrical connection**                         |
|--------------------------|----------------------|--|
| <b>DF</b> 24 VDC (4.0W)  | <b>0</b> No operator | <b>DA</b> Plug-in                                  |
| <b>HA</b> 24 VDC (1.95W) |                      | <b>EA</b> Plug-in 3 pin (polarity switching cover) |

\* Other options available, see page 319.

\*\* For latching solenoid 2 and 4 wire, use electrical connector DA, DB, DC or DD. For 3 wire latching, use the "EA" connector.

Other options available for the 42 series valves, see page 108.

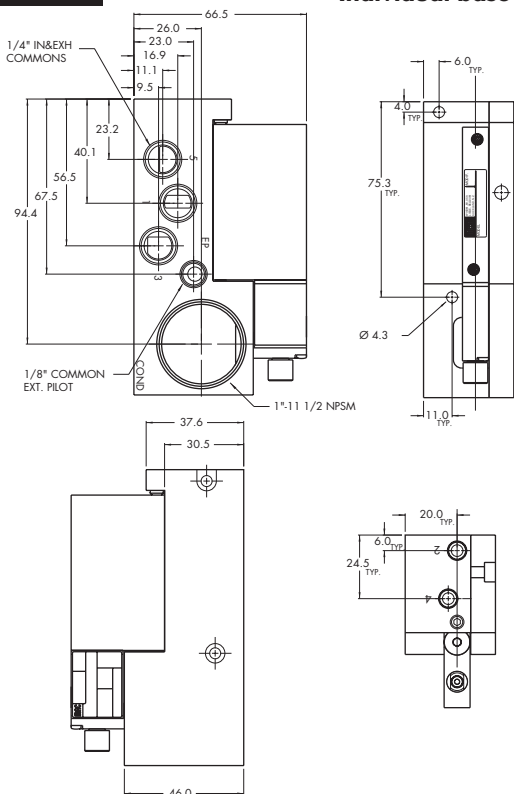
**TECHNICAL DATA**

|  |   |
|--|---|
| <b>Fluid :</b>                                 | Compressed air, vacuum, inert gases   |
| <b>Pressure range :</b>                        | Internal Pilot : 20 to 120 PSI<br>External Pilot : vacuum to 120 PSI                    |
| <b>Pilot pressure :</b>                        | 20 to 120 PSI   |
| <b>Lubrication :</b>                           | Not required, if used select a medium aniline point lubricant (between 180°F and 210°F) |
| <b>Filtration :</b>                            | 40 µ  |
| <b>Temperature range :</b>                     | 0°F to 120°F (-18°C to +50°C)   |
| <b>Flow :</b>                                  | # 10-32 : (0.35 C <sub>v</sub> ) – 1/4" O.D. tube receptacle : (0.4 C <sub>v</sub> )    |
| <b>Coil :</b>                                  | Class A continuous duty, #22 AWG x 12 base leads  |
| <b>Voltage range :</b>                         | -15% to +10% of nominal voltage   |
| <b>Power :</b>                                 | 1.95 to 4.0 W   |
| <b>Response times :</b><br>(with 24V 4 W coil) | Energize : 5 ms<br>De-energize : 5 ms   |

Options :

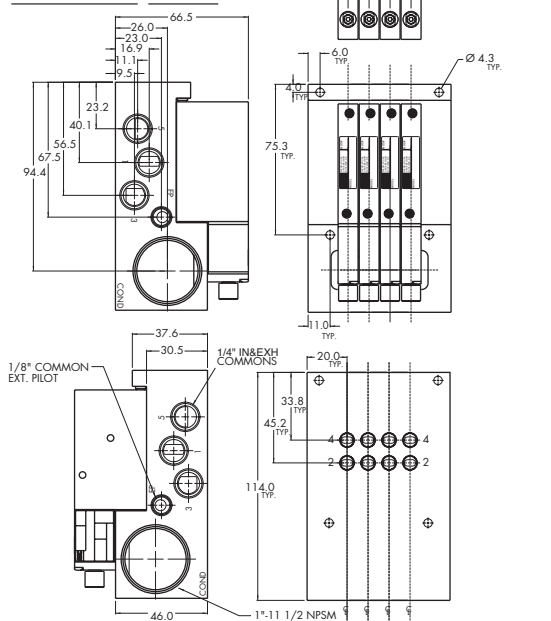
- M5 ports, M7 ports, 6 mm O.D. tube receptacles
- Sandwich flow controls : FC42B-AB
- Sandwich regulator : see "regulators" section
- Isolator disk for inlet or exhaust: 28454
- Valve blanking plate : M-42004
- Plug-in wire protector : 24180

**DIMENSIONS**



Dimensions shown are metric (mm)

| Port            | A Dim. |
|-----------------|--------|
| M4 Tube Fitting | 2.70   |
| M5 or 10-32     | 3.20   |
| M7              | 3.40   |



|  |               |
|--|---------------|
| <b>OPTIONS FOR NON PLUG-IN VALVES</b>                              | <b>33</b>     |
| <b>Base type :</b>   | <b>34</b>     |
| <b>Individual base</b>   | <b>36</b>     |
| 42B-XXX- <b>AX</b> -Gxxx-xxx                                       |               |
| <b>A</b> Individual base – Side ports                              |               |
| <b>B</b> Individual base – Bottom ports                            |               |
| <b>Manifold base</b>   | <b>32</b>     |
| 42B-XXX- <b>XJX</b> -Gxxx-xxx                                      |               |
| <b>J</b> Manifold base – Side ports                                |               |
| <b>K</b> Manifold base – Bottom ports                              |               |
| <b>L</b> Left end manifold base – Side ports                       | <b>37</b>     |
| <b>M</b> Left end manifold base – Bottom ports                     | <b>38</b>     |
| <b>N</b> Right end manifold base – Side ports                      | <b>52</b>     |
| <b>P</b> Right end manifold base – Bottom ports                    | <b>67</b>     |
| <b>Universal spool</b>   | <b>69</b>     |
| 42B- <b>RXX</b> -XXX-Gxxx-xxx                                      |               |
| <b>R</b> 2 position single solenoid universal spool                |               |
| <b>S</b> 2 position double solenoid universal spool                | <b>44</b>     |
| <b>Base only :</b>   | <b>46</b>     |
| 42B-000-XXX (i.e. 42B-000-AAL) - Individual base                   |               |
| 42B-000-XXX (i.e. 42B-000-AJL) - Manifold base                     |               |
| <b>Pilot style :</b>   | <b>42</b>     |
| 42B- <b>XX</b> X-XXX-Gxxx-xxx                                      |               |
| <b>M</b> Pilot exhaust muffled                                     | <b>47</b>     |
| <b>P</b> Pilot exhaust piped (# 10-32)                             | <b>48P</b>    |
| <b>U</b> Pilot exhaust to main exhaust                             |               |
| <b>Base/Manifold configurations for LATCHING SOLENOID VALVES :</b> | <b>48</b>     |
| 42A-xxx-x <b>A</b> x-Lxxx-xxx                                      |               |
| <b>A</b> Individual base – Side ports                              | <b>400</b>    |
| <b>B</b> Individual base – Bottom ports                            |               |
| <b>J</b> Manifold base – Side ports                                | <b>92</b>     |
| <b>K</b> Manifold base – Bottom ports                              |               |
| <b>L</b> Left end manifold base – Side ports                       |               |
| <b>M</b> Left end manifold base – Bottom ports                     | <b>93</b>     |
| <b>N</b> Right end manifold base – Side ports                      |               |
| <b>P</b> Right end manifold base – Bottom ports                    |               |
|  | <b>ISO 01</b> |
|  | <b>ISO 02</b> |
|  | <b>ISO 1</b>  |
|  | <b>ISO 2</b>  |
|  | <b>ISO 3</b>  |

## OPTIONS FOR PLUG-IN VALVES

### Base type :

#### Individual base

42B-XXX-**XAX**-GxxP-xxx

- A** Individual base – Side ports
- B** Individual base – Bottom ports

#### Manifold base

42B-XXX-**XJX**-GxxP-xxx

- J** Manifold base – Side ports
- K** Manifold base – Bottom ports
- L** Left end manifold base – Side ports
- M** Left end manifold base – Bottom ports
- N** Right end manifold base – Side ports
- P** Right end manifold base – Bottom ports

### Universal spool

42B-**RXX**-XXX-GxxP-xxx

- R** 2 position single solenoid universal spool
- S** 2 position double solenoid universal spool

### Base only :

42B-000-XXX (i.e. 42B-000-AAC)

- Individual base wired for a double solenoid

42B-000-XXX (i.e. 42B-000-AJA)

- Manifold base wired for a single solenoid

### For LED with diode (2 & 3 position double solenoid valves)

42B-XX**J**-XXX-GxxP-xST

- J** Internal pilot single pressure
- K** Internal pilot dual pressure supply from #3 port
- L** Internal pilot dual pressure supply from #5 port
- M** External pilot

### Pilot style :

42B-**XXM**-XXX-GxxP-xxx

- M** Pilot exhaust muffled
- P** Pilot exhaust piped (# 10-32)
- U** Pilot exhaust to main exhaust

### Base/Manifold configurations for LATCHING SOLENOID VALVES :

42A-xxx-x**AX**-LxxP-xxx

- A** Individual base – Side ports
- B** Individual base – Bottom ports
- J** Manifold base – Side ports
- K** Manifold base – Bottom ports
- L** Left end manifold base – Side ports
- M** Left end manifold base – Bottom ports
- N** Right end manifold base – Side ports
- P** Right end manifold base – Bottom ports

### Base/Manifold options for int./ext. pilot for LATCHING SOLENOID VALVES :

42A-xxx-xx**A**-LxxP-xxx

- A** Plug-in Int. Pilot – 2 Wire Latching
- B** Plug-in Ext. Pilot – 2 Wire Latching
- C** Plug-in Int. Pilot – 3 Wire Latching
- D** Plug-in Ext. Pilot – 3 Wire Latching
- E** Plug-in Int. Pilot – 4 Wire Latching
- F** Plug-in Ext. Pilot – 4 Wire Latching



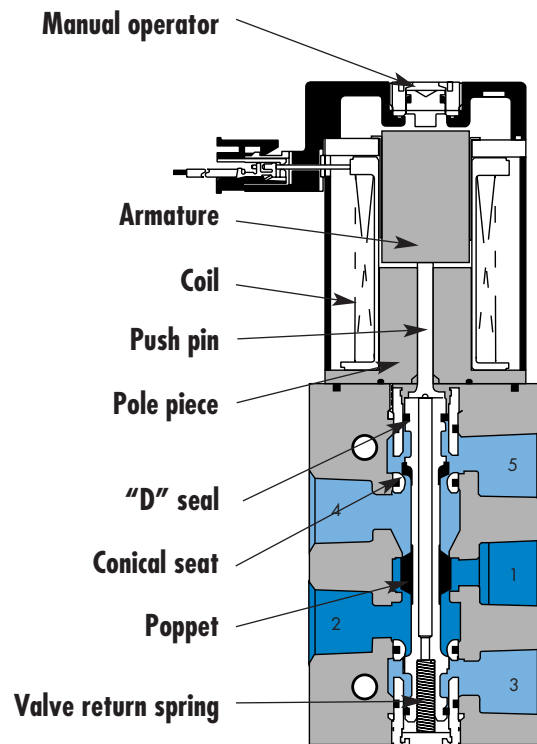
Individual mounting

|        |                        |
|--------|------------------------|
| Inline | Sub-base non "plug-in" |
|--------|------------------------|

Series

Manifold mounting

|          |                         |
|----------|-------------------------|
| Stacking | Manifold base "plug-in" |
|----------|-------------------------|



33

34

36

32

37

38

52

67

69

44

46

46

42

42

**47**

48P

48

48

48

400

92

92

**SERIES FEATURES**

- Short stroke solenoid produces high energization shifting force.
- High force return spring due to high force solenoid maximizes both energization and de-energization shifting forces.
- Built-in wear compensation - valve stroke is shorter than solenoid stroke.
- Four (4) bonded balanced poppets on a one-piece valve stem.
- End poppets seal first on conical seats and cushion inlet poppet, eliminating cutting.
- Exhaust seals are not under inlet pressure thus reducing friction.
- Short stroking balanced poppet allows for direct solenoid operation with high shifting forces, minimized friction, fast response and high flow in a small package.

93

ISO 01

ISO 02

ISO 1

ISO 2

ISO 3



# Direct solenoid and solenoid pilot operated valves

| Function   | Port size          | Flow [Max]               | Individual Mounting | Series |
|------------|--------------------|--------------------------|---------------------|--------|
| <b>5/2</b> | <b>1/8" - 1/4"</b> | <b>0.5 C<sub>v</sub></b> | Inline              |        |

### OPERATIONAL BENEFITS

- Short stroke solenoid produces high energization shifting force.
- High force return spring due to high force solenoid maximizes both energization and de-energization shifting forces.
- Built-in wear compensation – valve stroke is shorter than solenoid stroke.
- Four bonded balanced poppets on a one-piece valve stem.
- End poppets seal first on conical seats and cushion inlet poppet, eliminating cutting.
- Exhaust seals are not under inlet pressure thus reducing friction.
- Integral non-rising flow controls available on inline models.
- Short stroking balanced poppet allows for direct solenoid operation with high shifting forces, minimized friction, fast response and high flow in a small package.



- 33
- 34
- 36
- 32
- 37
- 38
- 52
- 67
- 69
- 44
- 46
- 42

### HOW TO ORDER

| Port size        | Without flow controls    | With flow controls       |
|------------------|--------------------------|--------------------------|
|                  |                          |                          |
| <b>1/8" NPTF</b> | 47A-AA0-H <b>XXX-XXX</b> | 47A-BA0-H <b>XXX-XXX</b> |
| <b>1/4" NPTF</b> | 47A-AB0-H <b>XXX-XXX</b> | 47A-BB0-H <b>XXX-XXX</b> |

### SOLENOID OPERATOR >

H **XXX-XXX\***

| XX Voltage               | X Lead Wire length | X Manual operator             | XX Electrical connection                               |
|--------------------------|--------------------|-------------------------------|--|
| <b>DA</b> 24 VDC (5.2W)  | <b>A</b> 18"       | <b>1</b> Non-locking recessed | <b>MA</b> Plug-in wire assembly                        |
| <b>DB</b> 24 VDC (2.4W)  | <b>B</b> 24"       | <b>2</b> Locking recessed     | <b>MC</b> Plug-in wire assembly with light             |
| <b>DC</b> 24 VDC (1.8W)  | <b>C</b> 36"       |                               | <b>BA</b> Flying leads                                 |
| <b>DD</b> 24 VDC (1.0W)  |                    |                               | <b>BC</b> Flying leads with light                      |
| <b>AA</b> 120 VAC (6.7W) |                    |                               | <b>MT</b> Plug-in wire assembly with rectifier & light |

\* Other options available, see page 315.  
Note: AC voltage requires connector with rectifier.

### LATCHING OPERATOR >

L **XXX-XXX\***

| XX Voltage              | X Lead Wire length | X Manual operator    | XX Electrical connection                            |
|-------------------------|--------------------|----------------------|---|
| <b>DA</b> 24 VDC (5.2W) | <b>A</b> 18"       | <b>0</b> No operator | <b>BA</b> 2 Wire Flying leads                       |
| <b>DF</b> 12 VDC (5.2W) | <b>B</b> 24"       |                      | <b>BJ</b> 4 Wire Flying leads                       |
|                         | <b>C</b> 36"       |                      | <b>LA</b> 3 Wire Plug-in (Polarity switching cover) |
|                         |                    |                      | <b>MA</b> 2 Wire Plug-in                            |
|                         |                    |                      | <b>ME</b> 4 Wire Plug-in                            |

\* Other options available, see page 319.

### OPTIONS

#### Namur Mount Option (w/o flow controls)

- 47A-CXO-H**XXX-XXX**
- A** 1/8" NPTF
  - B** 1/4" NPTF

- 47
- 48P
- 48
- 400
- 92
- 93
- ISO 01
- ISO 02
- ISO 1
- ISO 2
- ISO 3

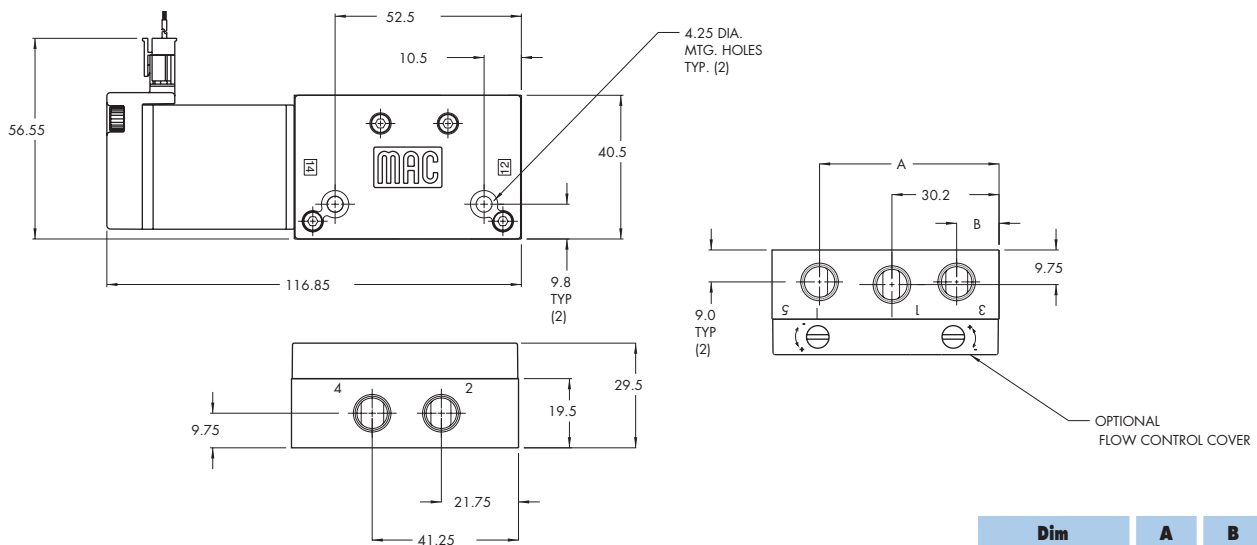
**TECHNICAL DATA**

|  |   |
|--|---|
| <b>Fluid :</b>                               | Compressed air, vacuum, inert gases   |
| <b>Pressure range :</b>                      | Vacuum to 120 PSI   |
| <b>Lubrication :</b>                         | Not required, if used select a medium aniline point lubricant (between 180°F and 210°F)       |
| <b>Filtration :</b>                          | 40 μ  |
| <b>Temperature range :</b>                   | 0°F to 120°F (-18°C to +50°C)   |
| <b>Flow :</b>                                | 5.2W : (0.50 C <sub>v</sub> ) – 2.4W : (0.35 C <sub>v</sub> ) – 1.0W : (0.30 C <sub>v</sub> ) |
| <b>Coil :</b>                                | Class A wire (#22 AWG x 18), continuous duty  |
| <b>Voltage range :</b>                       | -15% to +10% of nominal voltage   |
| <b>Power :</b>                               | 5.2W – 2.4W – 1.0W  |
| <b>Response times :</b><br>(with 5.2 W coil) | Energize : 17.4 ms<br>De-energize : 3.8 ms  |

- Options :                   • BSPP threads
- Spare parts :             • Flow control assembly : N-47004

**DIMENSIONS**

Dimensions shown are metric (mm)



| Dim  | A    | B     |
|------|------|-------|
| 1/8" | 50.6 | 11.95 |
| 1/4" | 49.2 | 11.2  |

| Function   | Port size          | Flow [Max]               | Individual Mounting    | Series |
|------------|--------------------|--------------------------|------------------------|--------|
| <b>5/2</b> | <b>1/8" - 1/4"</b> | <b>0.5 C<sub>v</sub></b> | Sub-base non "plug-in" |        |



### OPERATIONAL BENEFITS

- Short stroke solenoid produces high energization shifting force.
- High force return spring due to high force solenoid maximizes both energization and de-energization shifting forces.
- Built-in wear compensation – valve stroke is shorter than solenoid stroke.
- Four bonded balanced poppets on a one-piece valve stem.
- End poppets seal first on conical seats and cushion inlet poppet, eliminating cutting.
- Exhaust seals are not under inlet pressure thus reducing friction.
- Integral non-rising flow controls available on inline models.
- Short stroking balanced poppet allows for direct solenoid operation with high shifting forces, minimized friction, fast response and high flow in a small package.



- 33
- 34
- 36
- 32
- 37
- 38
- 52
- 67
- 69
- 44
- 46
- 42

### HOW TO ORDER

| Port size              | Without flow controls   | With flow controls  |
|------------------------|---|---|
|                        |  |  |
| <b>Valve less base</b> | 47A-L10-H <b>XXX-XXX</b>  | 47A-L10-H <b>XXX-XXX</b>  |
| <b>1/8" NPTF</b>       | 47A-LAA-H <b>XXX-XXX</b>  | 47A-LAB-H <b>XXX-XXX</b>  |
| <b>1/4" NPTF</b>       | 47A-LBA-H <b>XXX-XXX</b>  | 47A-LBB-H <b>XXX-XXX</b>  |

### SOLENOID OPERATOR >

H **XXX-XXX\***

| XX Voltage               | X Lead Wire length | X Manual operator             | XX Electrical connection                               |
|--------------------------|--------------------|-------------------------------|--|
| <b>DA</b> 24 VDC (5.2W)  | <b>A</b> 18"       | <b>1</b> Non-locking recessed | <b>MA</b> Plug-in wire assembly                        |
| <b>DB</b> 24 VDC (2.4W)  | <b>B</b> 24"       | <b>2</b> Locking recessed     | <b>MC</b> Plug-in wire assembly with light             |
| <b>DC</b> 24 VDC (1.8W)  | <b>C</b> 36"       |                               | <b>BA</b> Flying leads                                 |
| <b>DD</b> 24 VDC (1.0W)  |                    |                               | <b>BC</b> Flying leads with light                      |
| <b>AA</b> 120 VAC (6.7W) |                    |                               | <b>MT</b> Plug-in wire assembly with rectifier & light |

- 47
- 48P
- 48
- 400
- 92

\* Other options available, see page 315.  
Note: AC voltage requires connector with rectifier.

### LATCHING OPERATOR >

L **XXX-XXX\***

| XX Voltage              | X Lead Wire length | X Manual operator    | XX Electrical connection                            |
|-------------------------|--------------------|----------------------|---|
| <b>DA</b> 24 VDC (5.2W) | <b>A</b> 18"       | <b>0</b> No operator | <b>BA</b> 2 Wire Flying leads                       |
| <b>DF</b> 12 VDC (5.2W) | <b>B</b> 24"       |                      | <b>BJ</b> 4 Wire Flying leads                       |
|                         | <b>C</b> 36"       |                      | <b>LA</b> 3 Wire Plug-in (Polarity switching cover) |
|                         |                    |                      | <b>MA</b> 2 Wire Plug-in                            |
|                         |                    |                      | <b>ME</b> 4 Wire Plug-in                            |

- 93
- ISO 01
- ISO 02
- ISO 1
- ISO 2
- ISO 3

\* Other options available, see page 319.

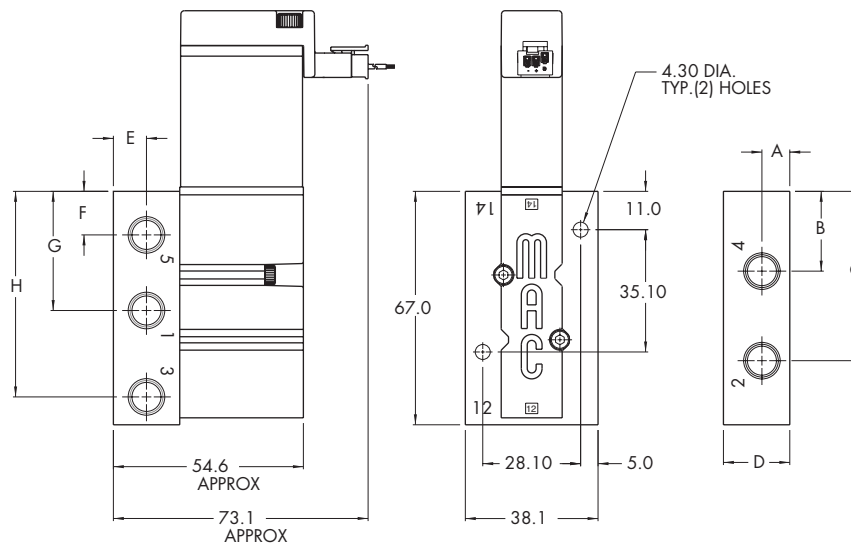
**TECHNICAL DATA**

|  |   |
|--|---|
| <b>Fluid :</b>                               | Compressed air, vacuum, inert gases   |
| <b>Pressure range :</b>                      | Vacuum to 120 PSI   |
| <b>Lubrication :</b>                         | Not required, if used select a medium aniline point lubricant (between 180°F and 210°F)       |
| <b>Filtration :</b>                          | 40 μ  |
| <b>Temperature range :</b>                   | 0°F to 120°F (-18°C to +50°C)   |
| <b>Flow :</b>                                | 5.2W : (0.50 C <sub>v</sub> ) – 2.4W : (0.35 C <sub>v</sub> ) – 1.0W : (0.30 C <sub>v</sub> ) |
| <b>Coil :</b>                                | Class A wire (#22 AWG x 18), continuous duty  |
| <b>Voltage range :</b>                       | -15% to +10% of nominal voltage   |
| <b>Power :</b>                               | 5.2W – 2.4W – 1.0W  |
| <b>Response times :</b><br>(with 5.2 W coil) | Energize : 17.4 ms<br>De-energize : 3.8 ms  |

- Options :
- BSPP threads
- Spare parts :
- Pressure seal body to base: 16628
  - Mounting screw (x2): 35043
  - Flow control assembly (x2): N-04001

**DIMENSIONS**

Dimensions shown are metric (mm)



| DIM. | A   | B    | C    | D     | E    | F    | G    | H    |
|------|-----|------|------|-------|------|------|------|------|
| 1/8" | 8.0 | 22.9 | 48.6 | 19.05 | 9.5  | 12.5 | 34.2 | 59.0 |
| 1/4" | 9.5 | 24.0 | 48.8 | 23.0  | 12.5 | 12.8 | 34.2 | 57.2 |

| Function   | Port size          | Flow [Max]               | Manifold Mounting | Series |
|------------|--------------------|--------------------------|-------------------|--------|
| <b>5/2</b> | <b>1/8" - 1/4"</b> | <b>0.5 C<sub>v</sub></b> | Stacking          |        |

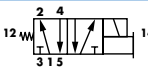
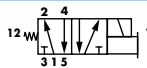
### OPERATIONAL BENEFITS

- Short stroke solenoid produces high energization shifting force.
- High force return spring due to high force solenoid maximizes both energization and de-energization shifting forces.
- Built-in wear compensation – valve stroke is shorter than solenoid stroke.
- Four bonded balanced poppets on a one-piece valve stem.
- End poppets seal first on conical seats and cushion inlet poppet, eliminating cutting.
- Exhaust seals are not under inlet pressure thus reducing friction.
- Integral non-rising flow controls available on inline models.
- Short stroking balanced poppet allows for direct solenoid operation with high shifting forces, minimized friction, fast response and high flow in a small package.



33  
34  
36  
32  
37  
38  
52  
67  
69  
44  
46  
42

### HOW TO ORDER

| Port size        | Without flow controls   | With flow controls  |
|------------------|---|---|
|                  |  |  |
| <b>1/8" NPTF</b> | 47A-SA0-H <b>XXX-XXX</b>  | 47A-TA0-H <b>XXX-XXX</b>  |
| <b>1/4" NPTF</b> | 47A-SB0-H <b>XXX-XXX</b>  | 47A-TB0-H <b>XXX-XXX</b>  |

### SOLENOID OPERATOR >

H **XXX-XXX\***

| XX Voltage               | X Lead Wire length | X Manual operator             | XX Electrical connection                               |
|--------------------------|--------------------|-------------------------------|--|
| <b>DA</b> 24 VDC (5.2W)  | <b>A</b> 18"       | <b>1</b> Non-locking recessed | <b>MA</b> Plug-in wire assembly                        |
| <b>DB</b> 24 VDC (2.4W)  | <b>B</b> 24"       | <b>2</b> Locking recessed     | <b>MC</b> Plug-in wire assembly with light             |
| <b>DC</b> 24 VDC (1.8W)  | <b>C</b> 36"       |                               | <b>BA</b> Flying leads                                 |
| <b>DD</b> 24 VDC (1.0W)  |                    |                               | <b>BC</b> Flying leads with light                      |
| <b>AA</b> 120 VAC (6.7W) |                    |                               | <b>MT</b> Plug-in wire assembly with rectifier & light |

\* Other options available, see page 315.  
Note: AC voltage requires connector with rectifier.

### LATCHING OPERATOR >

L **XXX-XXX\***

| XX Voltage              | X Lead Wire length | X Manual operator    | XX Electrical connection                            |
|-------------------------|--------------------|----------------------|---|
| <b>DA</b> 24 VDC (5.2W) | <b>A</b> 18"       | <b>0</b> No operator | <b>BA</b> 2 Wire Flying leads                       |
| <b>DF</b> 12 VDC (5.2W) | <b>B</b> 24"       |                      | <b>BJ</b> 4 Wire Flying leads                       |
|                         | <b>C</b> 36"       |                      | <b>LA</b> 3 Wire Plug-in (Polarity switching cover) |
|                         |                    |                      | <b>MA</b> 2 Wire Plug-in                            |
|                         |                    |                      | <b>ME</b> 4 Wire Plug-in                            |

\* Other options available, see page 319.  
End plate kit required: M-47013-01 (1/4" NPTF).

47  
48P  
48  
400  
92  
93  
ISO 01  
ISO 02  
ISO 1  
ISO 2  
ISO 3

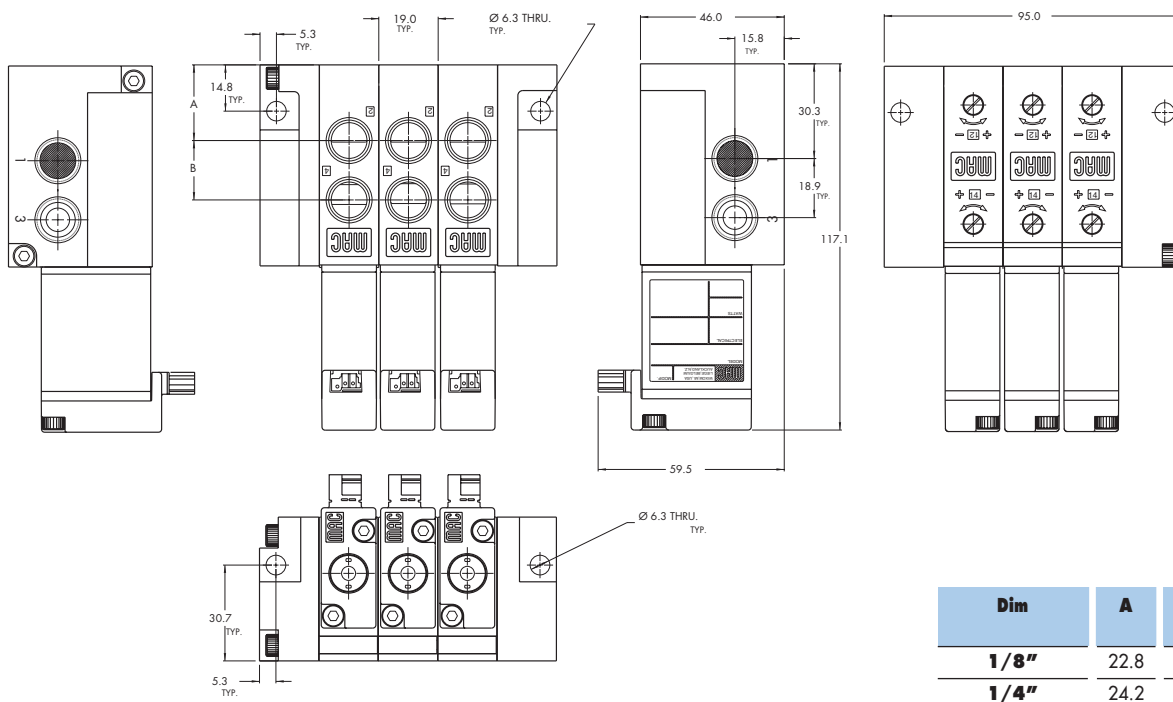
**TECHNICAL DATA**

|  |   |
|--|---|
| <b>Fluid :</b>                               | Compressed air, vacuum, inert gases   |
| <b>Pressure range :</b>                      | Vacuum to 120 PSI   |
| <b>Lubrication :</b>                         | Not required, if used select a medium aniline point lubricant (between 180°F and 210°F)       |
| <b>Filtration :</b>                          | 40 μ  |
| <b>Temperature range :</b>                   | 0°F to 120°F (-18°C to +50°C)   |
| <b>Flow :</b>                                | 5.2W : (0.50 C <sub>v</sub> ) – 2.4W : (0.35 C <sub>v</sub> ) – 1.0W : (0.30 C <sub>v</sub> ) |
| <b>Coil :</b>                                | Class A wires (#22 AWG x 18), continuous duty   |
| <b>Voltage range :</b>                       | -15% to +10% of nominal voltage   |
| <b>Power :</b>                               | 5.2W – 2.4W – 1.0W  |
| <b>Response times :</b><br>(with 5.2 W coil) | Energize : 17.4 ms<br>De-energize : 3.8 ms  |

- Options : • BSPP threads
- Spare parts : • Inlet isolator: 28451 • Exhaust isolator: N-47009 • Tie Rod (x2): 79057

**DIMENSIONS**

Dimensions shown are metric (mm)



| Function   | Port size          | Flow [Max]               | Manifold Mounting       | Series |
|------------|--------------------|--------------------------|-------------------------|--------|
| <b>5/2</b> | <b>1/8" - 1/4"</b> | <b>0.5 C<sub>v</sub></b> | Manifold base "plug-in" |        |

### OPERATIONAL BENEFITS

- Short stroke solenoid produces high energization shifting force.
- High force return spring due to high force solenoid maximizes both energization and de-energization shifting forces.
- Built-in wear compensation – valve stroke is shorter than solenoid stroke.
- Four bonded balanced poppets on a one-piece valve stem.
- End poppets seal first on conical seats and cushion inlet poppet, eliminating cutting.
- Exhaust seals are not under inlet pressure thus reducing friction.
- Integral non-rising flow controls available on inline models.
- Short stroking balanced poppet allows for direct solenoid operation with high shifting forces, minimized friction, fast response and high flow in a small package.

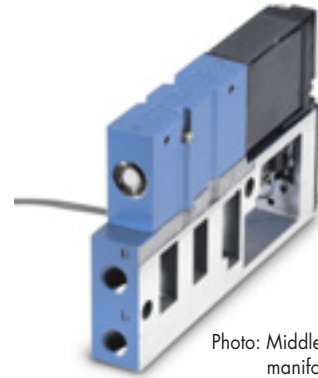


Photo: Middle station manifold base

33  
34  
36  
32  
37  
38  
52  
67  
69  
44  
46  
42

### HOW TO ORDER

| Port size              | Model number                      |
|------------------------|-----------------------------------|
| <b>Valve less base</b> |                                   |
| <b>1/8" NPTF</b>       | 47A-L10-H <b>XX</b> P- <b>XXX</b> |
| <b>1/4" NPTF</b>       | 47A-LAJ-H <b>XX</b> P- <b>XXX</b> |
|                        | 47A-LBJ-H <b>XX</b> P- <b>XXX</b> |



### SOLENOID OPERATOR >

H **XX** P-**XXX**\*

| XX Voltage               | X Manual operator             | XX Electrical connection                      |
|--------------------------|-------------------------------|---|
| <b>DA</b> 24 VDC (5.2W)  | <b>1</b> Non-locking recessed | <b>FA</b> Base plug-in                        |
| <b>DB</b> 24 VDC (2.4W)  | <b>2</b> Locking recessed     | <b>FB</b> Base plug-in w/ ground              |
| <b>DC</b> 24 VDC (1.8W)  |                               | <b>FC</b> Base plug-in w/ LED light           |
| <b>DD</b> 24 VDC (1.0W)  |                               | <b>FD</b> Base plug-in w/ LED light w/ ground |
| <b>AA</b> 120 VAC (6.7W) |                               | <b>FT</b> Base plug-in w/ rectifier and light |

\* Other options available, see page 315.  
Note : AC voltage requires connector with rectifier.

### LATCHING SOLENOID >

L **XX** P-**XXX**\*

| XX Voltage              | X Manual operator    | XX Electrical connection                      |
|-------------------------|----------------------|---|
| <b>DA</b> 24 VDC (5.2W) | <b>0</b> No operator | <b>FA</b> Base plug-in w/ ground              |
| <b>DF</b> 12 VDC (5.2W) |                      | <b>FB</b> Base plug-in w/ ground & LED        |
|                         |                      | <b>FC</b> Base plug-in 4 wire w/ ground       |
|                         |                      | <b>FD</b> Base Plug-in 4 wire w/ LED & ground |

\* Other options available, see page 319.

### OPTIONS

47A-**xxJ**-**xxx**P-**xxx**

- J** Manifold base, side cylinders (middle station)
- K** Manifold base, bottom cylinders (middle station)
- L** Right end manifold base, side cylinders
- M** Right end manifold base, bottom cylinders
- N** Left end manifold base, side cylinders
- P** Left end manifold base, bottom cylinders

Note: Manifold assemblies consist of (1) left end manifold, (1) right end manifold, and middle station manifolds.

47  
48P  
48  
400  
92  
93  
ISO 01  
ISO 02  
ISO 1  
ISO 2  
ISO 3



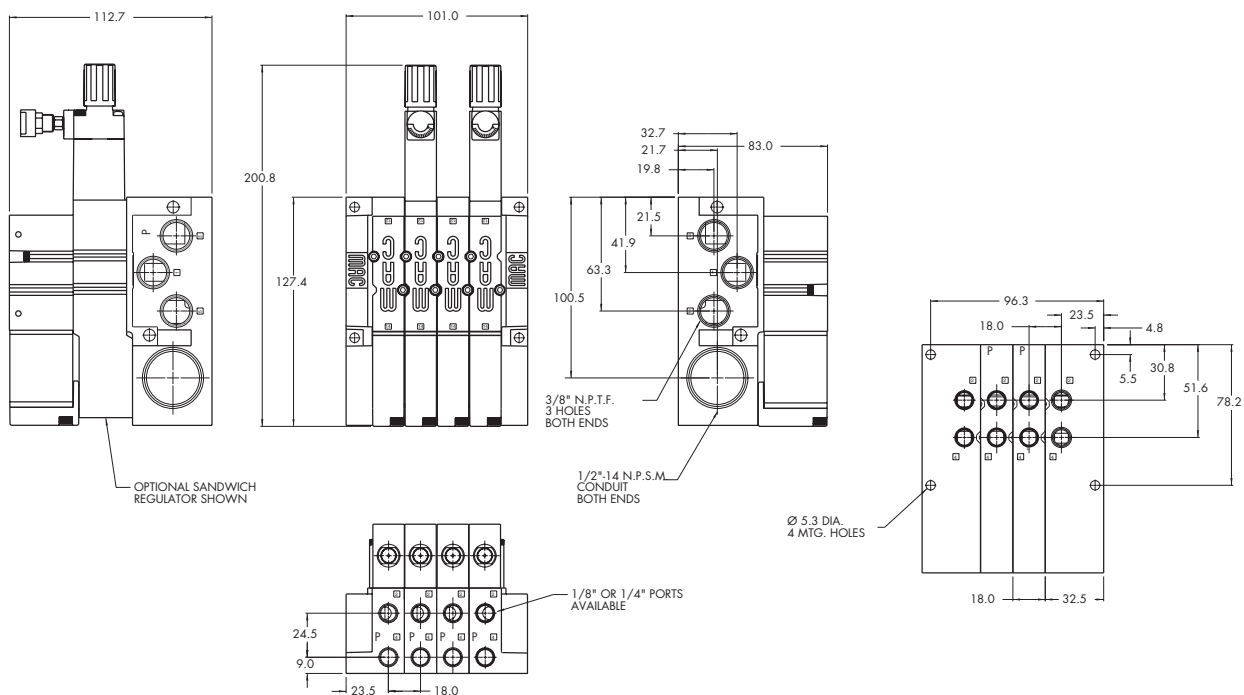
**TECHNICAL DATA**

|  |   |
|--|---|
| <b>Fluid :</b>                               | Compressed air, vacuum, inert gases   |
| <b>Pressure range :</b>                      | Vacuum to 120 PSI   |
| <b>Lubrication :</b>                         | Not required, if used select a medium aniline point lubricant (between 180°F and 210°F)       |
| <b>Filtration :</b>                          | 40 μ  |
| <b>Temperature range :</b>                   | 0°F to 120°F (-18°C to +50°C)   |
| <b>Flow (at 6 bar, ΔP=1bar) :</b>            | 5.2W : (0.50 C <sub>v</sub> ) – 2.4W : (0.35 C <sub>v</sub> ) – 1.0W : (0.30 C <sub>v</sub> ) |
| <b>Coil :</b>                                | Class A continuous duty, #22 AWG x 12 base leads  |
| <b>Voltage range :</b>                       | -15% to +10% of nominal voltage   |
| <b>Power :</b>                               | 5.2W – 2.4W – 1.0W  |
| <b>Response times :</b><br>(with 5,2 W coil) | Energize : 17.4 ms<br>De-energize : 3.8 ms  |

- Options :                   • BSPP threads • Sandwich flow control: FC47A-AA • Sandwich regulator: see "Regulator" section
- Spare parts :             • Inlet/exhaust isolator: 28447 • Valve cover plate: M-47001

**DIMENSIONS**

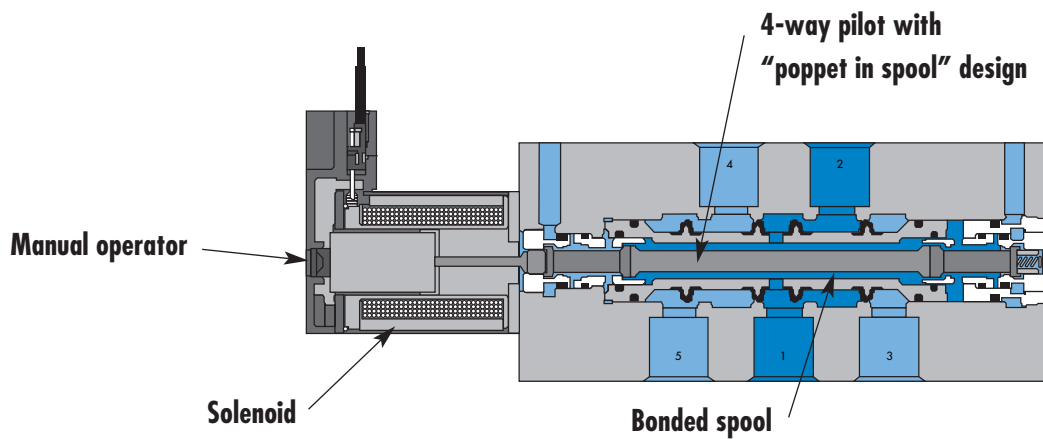
Dimensions shown are metric (mm)



Individual mounting

Series

Inline



33

34

36

32

37

38

52

67

69

44

46

42

47

**48P**

48

400

92

**SERIES FEATURES**

- High force MACSOLENOID®.
- Integral 4-way pilot with poppet inside the spool.
- Large flow in compact package.
- Single or dual pressure.
- Rectified AC voltage.

93

ISO 01

ISO 02

ISO 1

ISO 2

ISO 3



# Direct solenoid and solenoid pilot operated valves

| Function   | Port size   | Flow [Max]    | Individual mounting | Series |
|------------|-------------|---------------|---------------------|--------|
| <b>5/2</b> | <b>1/8"</b> | <b>1.0 Cv</b> | Inline              |        |

### OPERATIONAL BENEFITS

1. 4-way valve with 4-way pilot.
2. Poppet in spool design
3. 16 mm valve (stacks on 16.5 mm centers).
4. High flow (up to 1.0 Cv).
5. Fast repeatable response times.
6. Maximum shifting forces in both directions.
7. Long life.
8. Compact design.



- 33
- 34
- 36
- 32
- 37
- 38
- 52
- 67
- 69
- 44
- 46
- 42
- 47
- 48P**

### HOW TO ORDER

| Port size   | Pilot                | 5/2 Single operator<br>Single pressure | 5/2 Single operator<br>Dual pressure |
|-------------|----------------------|--|--------------------------------------|
| <b>1/8"</b> | Internal             | 48PB-AAA-A00-G-XXX-XXX                 |                                      |
|             | Internal from port 3 | -                                      | 48PB-CAB-A00-G-XXX-XXX               |
|             | Internal from port 5 | -                                      | 48PB-CAC-A00-G-XXX-XXX               |

### STANDARD SOLENOID OPERATOR >

G **XXX-XXX\***

| XX | Voltage        | X | Wire length | X | Manual operator | XX | Electrical connection                              |
|----|----------------|---|-------------|---|-----------------|----|--|
| AA | 120 VAC (2.5W) | A | 18"         | 1 | Non-locking     | BA | Flying leads                                       |
| DC | 24 VDC (1.8W)  | B | 24"         | 2 | Locking         | BT | Flying leads with light                            |
| DD | 24 VDC (2.5W)  | C | 36"         |   |                 | GA | MAC JAC solenoid plug-in                           |
| DF | 24 VDC (4.0W)  |   |             |   |                 | KA | Plug-in wire assy.                                 |
|    |                |   |             |   |                 | KT | Plug-in wire assy. with light                      |
|    |                |   |             |   |                 | KD | Plug-in wire assy. with rectifier & light & ground |

\* Other options available, see page 311.  
Note : AC voltage requires connector with rectifier.

### OPTIONS

48PB-X X X-X00-G-xx-xxx

- A Pilot exhaust muffled
- C Pilot exhaust piped M5
- D Pilot exhaust out main exhaust

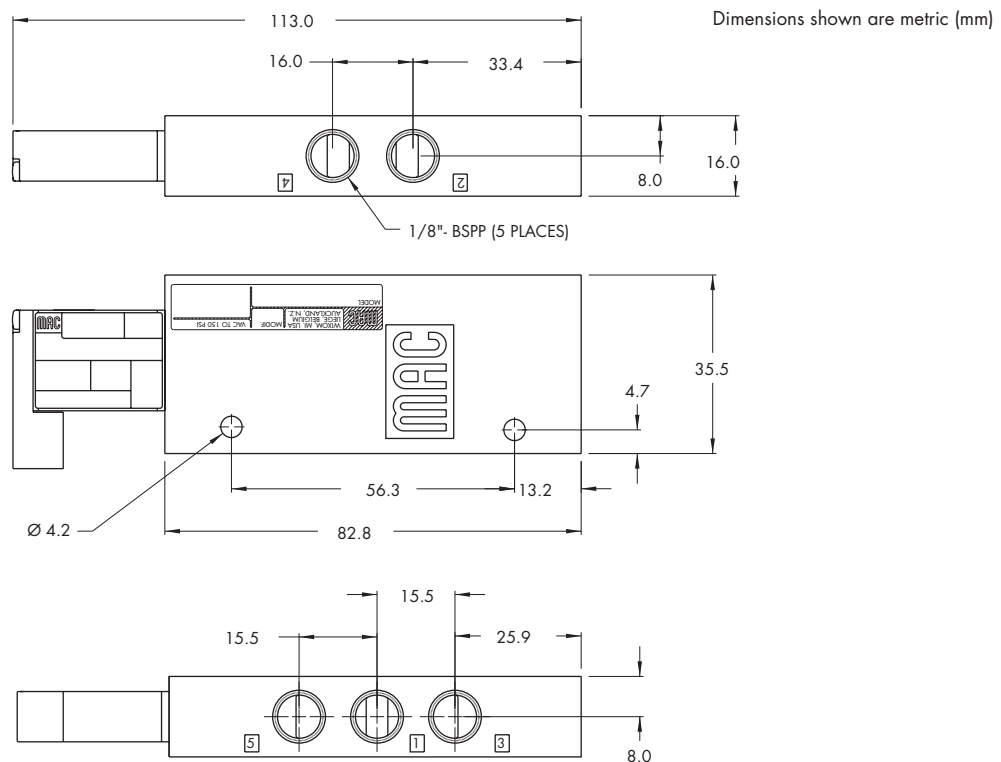
- 48
- 400
- 92
- 93
- ISO 01
- ISO 02
- ISO 1
- ISO 2
- ISO 3

**TECHNICAL DATA**

|                            |   |
|----------------------------|---|
| <b>Fluid :</b>             | Compressed air, vacuum, inert gases   |
| <b>Pressure range :</b>    | 25 to 120 PSI   |
| <b>Lubrication :</b>       | Not required, if used select a medium aniline point lubricant (between 180°F and 210°F) |
| <b>Filtration :</b>        | 40 µ  |
| <b>Temperature range :</b> | 0°F to 120°F (18°C to +50°C)  |
| <b>Flow :</b>              | Cv 1,0  |
| <b>Coil :</b>              | Class A wire continuous duty, #22 AWG x 18 leads  |
| <b>Voltage range :</b>     | -15% to +10% of nominal voltage   |
| <b>Power :</b>             | 1.0 to 4.0 W  |

Options : • BSPP threads

**DIMENSIONS**

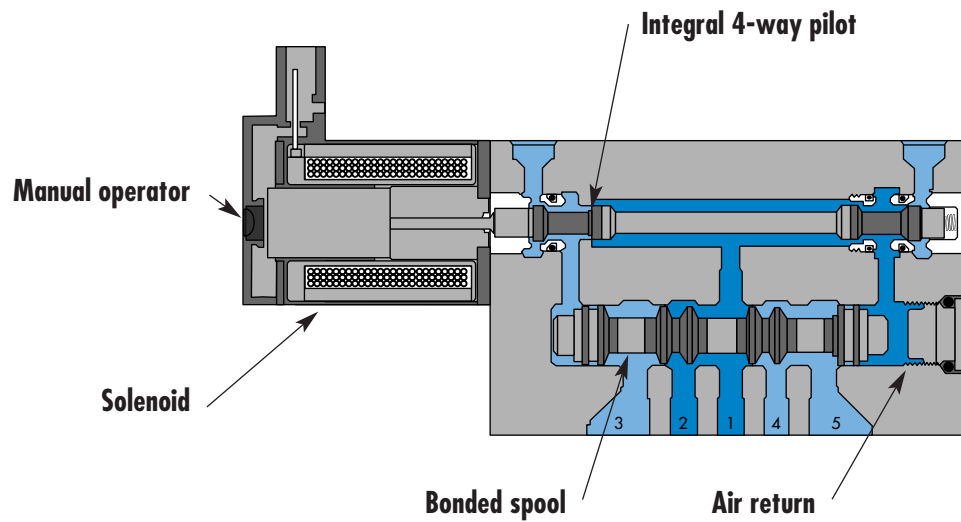


Individual mounting

|                        |                    |   |   |
|------------------------|--------------------|---|---|
| Sub-base non "plug-in" | Sub-base "plug-in" | Sub-base/manifold base non "plug-in" with latching solenoid | Sub-base/manifold base "plug-in" with latching solenoid |
|------------------------|--------------------|---|---|

Manifold mounting

|                             |                         |   |   |
|-----------------------------|-------------------------|---|---|
| Manifold base non "plug-in" | Manifold base "plug-in" | Sub-base/manifold base non "plug-in" with latching solenoid | Sub-base/manifold base "plug-in" with latching solenoid |
|-----------------------------|-------------------------|---|---|



**SERIES FEATURES**

- High force MACSOLENOID®.
- Integral 4-way pilot design.
- Single or dual pressure.
- Internal or external pilot.
- Single or double solenoid.
- 2 or 3 position.
- Rectified AC voltage.
- Latching solenoid technology.

Series

33

34

36

32

37

38

52

67

69

44

46

42

47

48P

48

400

92

93

ISO 01

ISO 02

ISO 1

ISO 2

ISO 3



# Direct solenoid and solenoid pilot operated valves

| Function        | Port size   | Flow [Max]               | Individual mounting    | Series |
|-----------------|-------------|--------------------------|------------------------|--------|
| <b>5/2, 5/3</b> | <b>1/8"</b> | <b>1.1 C<sub>v</sub></b> | Sub-base non "plug-in" |        |

### OPERATIONAL BENEFITS

1. 4-way valve with 4-way integral pilot.
2. 16 mm valve (stacks on 16.5 mm centers).
3. High flow (up to 1.1 C<sub>v</sub>).
4. Fast repeatable response times.
5. Maximum shifting forces in both directions.
6. Long life.



- 33
- 34
- 36
- 32
- 37
- 38
- 52
- 67
- 69
- 44
- 46
- 42
- 47
- 48P

### HOW TO ORDER

SINGLE PRESSURE MODELS (VALVE WITH BASE CODED FOR SIDE PORTS)

| Port size              | Pilot air | 5/2 Single solenoid  | 5/2 Double solenoid  | 5/3 Closed center    | 5/3 Open center      |
|------------------------|-----------|----------------------|----------------------|----------------------|----------------------|
|                        |           |                      |                      |                      |                      |
| <b>Valve less base</b> | Internal  | 48B-AMA-000-Gxxx-xxx | 48B-BMA-000-Gxxx-xxx | 48B-EMA-000-Gxxx-xxx | 48B-FMA-000-Gxxx-xxx |
|                        | External  | 48B-AMD-000-Gxxx-xxx | 48B-BMD-000-Gxxx-xxx | 48B-EMD-000-Gxxx-xxx | 48B-FMD-000-Gxxx-xxx |
| <b>1/8" NPTF</b>       | Internal  | 48B-AMA-AAL-Gxxx-xxx | 48B-BMA-AAL-Gxxx-xxx | 48B-EMA-AAL-Gxxx-xxx | 48B-FMA-AAL-Gxxx-xxx |
|                        | External  | 48B-AMD-AAM-Gxxx-xxx | 48B-BMD-AAM-Gxxx-xxx | 48B-EMD-AAM-Gxxx-xxx | 48B-FMD-AAM-Gxxx-xxx |

DUAL PRESSURE MODELS (VALVE WITH BASE CODED FOR SIDE PORTS)

| Port size              | Pilot air        | 5/2 Single solenoid  | 5/2 Double solenoid  | 5/3 Pressure center  |
|------------------------|------------------|----------------------|----------------------|----------------------|
|                        |                  |                      |                      |                      |
| <b>Valve less base</b> | Internal         | Supply #3 port       | 48B-CMB-000-Gxxx-xxx | 48B-DMB-000-Gxxx-xxx |
|                        |                  | Supply #5 port       | 48B-CMC-000-Gxxx-xxx | 48B-DMC-000-Gxxx-xxx |
|                        | External         |                      | 48B-CMD-000-Gxxx-xxx | 48B-DMD-000-Gxxx-xxx |
|                        | <b>1/8" NPTF</b> | Internal             | Supply #3 port       | 48B-CMB-AAL-Gxxx-xxx |
| Supply #5 port         |                  |                      | 48B-CMC-AAL-Gxxx-xxx | 48B-DMC-AAL-Gxxx-xxx |
| External               |                  | 48B-CMD-AAM-Gxxx-xxx | 48B-DMD-AAM-Gxxx-xxx |                      |

- 48
- 400
- 92
- 93

STANDARD SOLENOID OPERATOR >

G **xxx-xxx\***

| XX Voltage               | X Wire length | X Manual operator             | XX Electrical connection                                     |
|--------------------------|---------------|-------------------------------|--|
| <b>AA</b> 120 VAC (2.5W) | <b>A</b> 18"  | <b>1</b> Non-locking recessed | <b>BA</b> Flying leads                                       |
| <b>DC</b> 24 VDC (1.8W)  | <b>B</b> 24"  | <b>2</b> Locking recessed     | <b>BT</b> Flying leads with light                            |
| <b>DD</b> 24 VDC (2.5W)  | <b>C</b> 36"  |                               | <b>GA</b> MAC JAC solenoid plug-in                           |
| <b>DF</b> 24 VDC (4.0W)  |               |                               | <b>KA</b> Plug-in wire Assy.                                 |
|                          |               |                               | <b>KT</b> Plug-in wire Assy. with light                      |
|                          |               |                               | <b>KD</b> Plug-in wire Assy. with rectifier & light & ground |

- ISO 01
- ISO 02
- ISO 1
- ISO 2
- ISO 3

\* Other options available, see page 311.  
 Latching solenoid also available, see page 133.  
 Note : AC voltage requires connector with rectifier.  
**Other options available for the 48 series valves, see page 137.**

**TECHNICAL DATA**

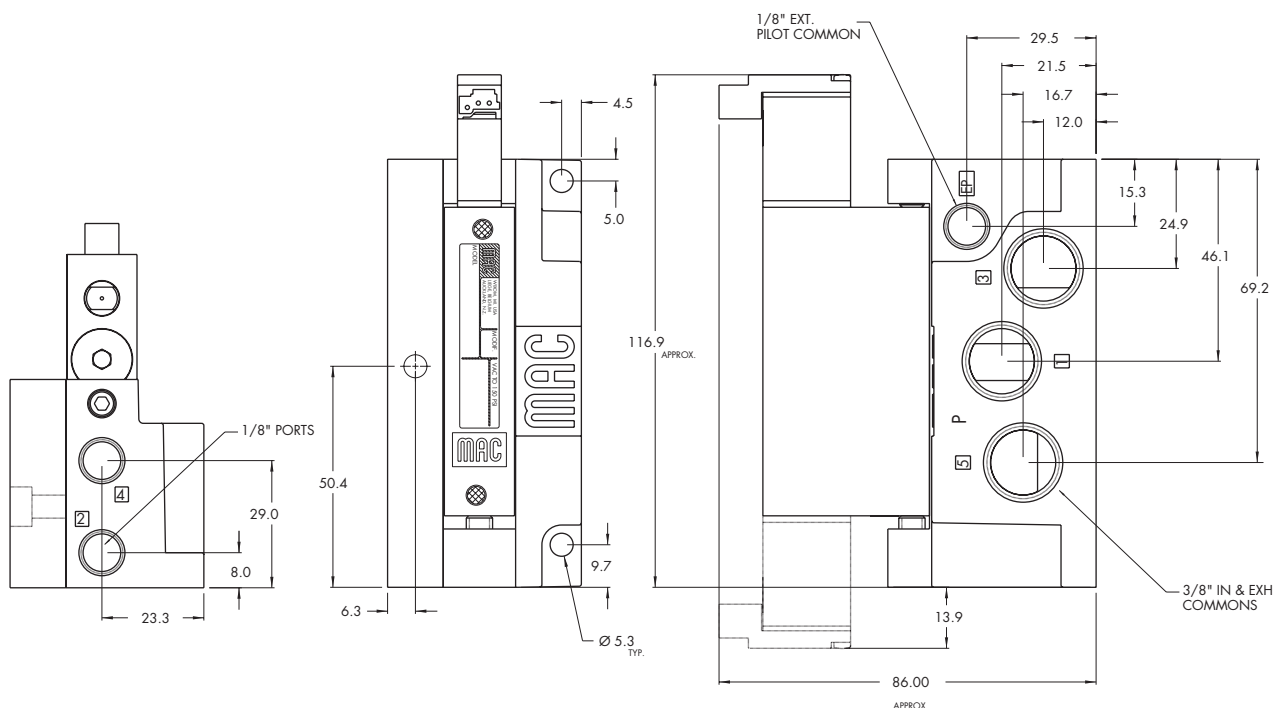
|  |  |
|--|--|
| <b>Fluid :</b>                             | Compressed air, vacuum, inert gases  |
| <b>Pressure range :</b>                    | Internal pilot: 2 pos.: 20 to 120 PSI - 3 pos.: 35 to 120 PSI<br>External pilot: vacuum to 120 PSI |
| <b>Pilot pressure :</b>                    | 2 position : 20 to 120 PSI - 3 position : 35 to 120 PSI  |
| <b>Lubrication :</b>                       | Not required, if used select a medium aniline point lubricant (between 180°F and 210°F)            |
| <b>Filtration :</b>                        | 40 μ   |
| <b>Temperature range :</b>                 | 0°F to 120°F (-18°C to +50°C)  |
| <b>Flow :</b>                              | 1/8" side ports: (1.0 C <sub>v</sub> ) – 1/8" bottom ports : (1.1 C <sub>v</sub> )                 |
| <b>Coil :</b>                              | Class A wire (#22 AWG x 18), continuous duty   |
| <b>Voltage range :</b>                     | -15% to +10% of nominal voltage  |
| <b>Power :</b>                             | 1.0 to 4.0 W   |
| <b>Response times :</b><br>(with 4 W coil) | Energize : 6 ms<br>De-energize : 6 ms  |

Options :

- BSPP threads • 1/4" O.D. pressed in tube receptacles • Sandwich Flow controls: FC48B-BB
- Sandwich regulator: see "regulators" section

**DIMENSIONS**

Dimensions shown are metric (mm)





# Direct solenoid and solenoid pilot operated valves

| Function        | Port size   | Flow [Max]               | Individual mounting | Series |
|-----------------|-------------|--------------------------|---------------------|--------|
| <b>5/2, 5/3</b> | <b>1/8"</b> | <b>1.1 C<sub>v</sub></b> | Sub-base "plug-in"  |        |

## OPERATIONAL BENEFITS

1. 4-way valve with 4-way integral pilot.
2. 16 mm valve (stacks on 16.5 mm centers).
3. High flow (up to 1.1 C<sub>v</sub>).
4. Fast repeatable response times.
5. Maximum shifting forces in both directions.
6. Long life.



33  
34  
36  
32  
37  
38  
52  
67  
69  
44  
46  
42  
47  
48P

## HOW TO ORDER

SINGLE PRESSURE MODELS (LED STANDARD EXCEPT FOR SINGLE SOLENOIDS) - VALVE WITH BASE CODED FOR SIDE PORTS

| Port size              | Pilot air | 5/2 Single solenoid  | 5/3 Double solenoid  | 5/3 Closed center    | 5/3 Open center      |
|------------------------|-----------|----------------------|----------------------|----------------------|----------------------|
|                        |           |                      |                      |                      |                      |
| <b>Valve less base</b> | Internal  | 48B-AMA-000-GxxP-xxx | 48B-BME-000-GxxP-xST | 48B-EME-000-GxxP-xST | 48B-FME-000-GxxP-xST |
|                        | External  | 48B-AMD-000-GxxP-xxx | 48B-BMH-000-GxxP-xST | 48B-EMH-000-GxxP-xST | 48B-FMH-000-GxxP-xST |
| <b>1/8" NPTF</b>       | Internal  | 48B-AMA-AAA-GxxP-xxx | 48B-BME-AAC-GxxP-xST | 48B-EME-AAC-GxxP-xST | 48B-FME-AAC-GxxP-xST |
|                        | External  | 48B-AMD-AAB-GxxP-xxx | 48B-BMH-AAD-GxxP-xST | 48B-EMH-AAD-GxxP-xST | 48B-FMH-AAD-GxxP-xST |

DUAL PRESSURE MODELS (LED STANDARD EXCEPT FOR SINGLE SOLENOIDS) - VALVE WITH BASE CODED FOR SIDE PORTS

| Port size              | Pilot air | 5/2 Single solenoid | 5/2 Double solenoid  | 5/3 Pressure center  |
|------------------------|-----------|---------------------|----------------------|----------------------|
|                        |           |                     |                      |                      |
| <b>Valve less base</b> | Internal  | Supply #3 port      | 48B-CMB-000-GxxP-xxx | 48B-DMF-000-GxxP-xST |
|                        |           | Supply #5 port      | 48B-CMC-000-GxxP-xxx | 48B-DMG-000-GxxP-xST |
|                        | External  |                     | 48B-CMD-000-GxxP-xxx | 48B-DMH-000-GxxP-xST |
|                        |           |                     | 48B-CMH-000-GxxP-xST | 48B-HMH-000-GxxP-xST |
| <b>1/8" NPTF</b>       | Internal  | Supply #3 port      | 48B-CMB-AAA-GxxP-xxx | 48B-DMF-AAC-GxxP-xST |
|                        |           | Supply #5 port      | 48B-CMC-AAA-GxxP-xxx | 48B-DMG-AAC-GxxP-xST |
|                        | External  |                     | 48B-CMD-AAB-GxxP-xxx | 48B-DMH-AAD-GxxP-xST |
|                        |           |                     | 48B-CMH-AAD-GxxP-xST | 48B-HMH-AAD-GxxP-xST |

48  
400  
92  
93

STANDARD SOLENOID OPERATOR >

G **XX P-XXX**\*

| XX Voltage        | X Manual operator      | XX Electrical connection                        |
|-------------------|------------------------|---|
| AA 120 VAC (2.5W) | 1 Non-locking recessed | Double solenoid & 3 position models             |
| DC 24 VDC (1.8W)  | 2 Locking recessed     | ST Base plug-in                                 |
| DD 24 VDC (2.5W)  |                        | Single solenoid models                          |
| DF 24 VDC (4.0W)  |                        | SA Base plug-in                                 |
|                   |                        | SJ Base plug-in with LED light                  |
|                   |                        | SS Base plug-in with rectifier & light & ground |

ISO 01  
ISO 02  
ISO 1  
ISO 2  
ISO 3

\* Other options available, see page 311.  
Latching solenoid also available, see page 135.  
Note : AC voltage requires connector with rectifier (For double solenoid consult factory).  
**Other options available for the 48 series valves, see page 138.**



**TECHNICAL DATA**

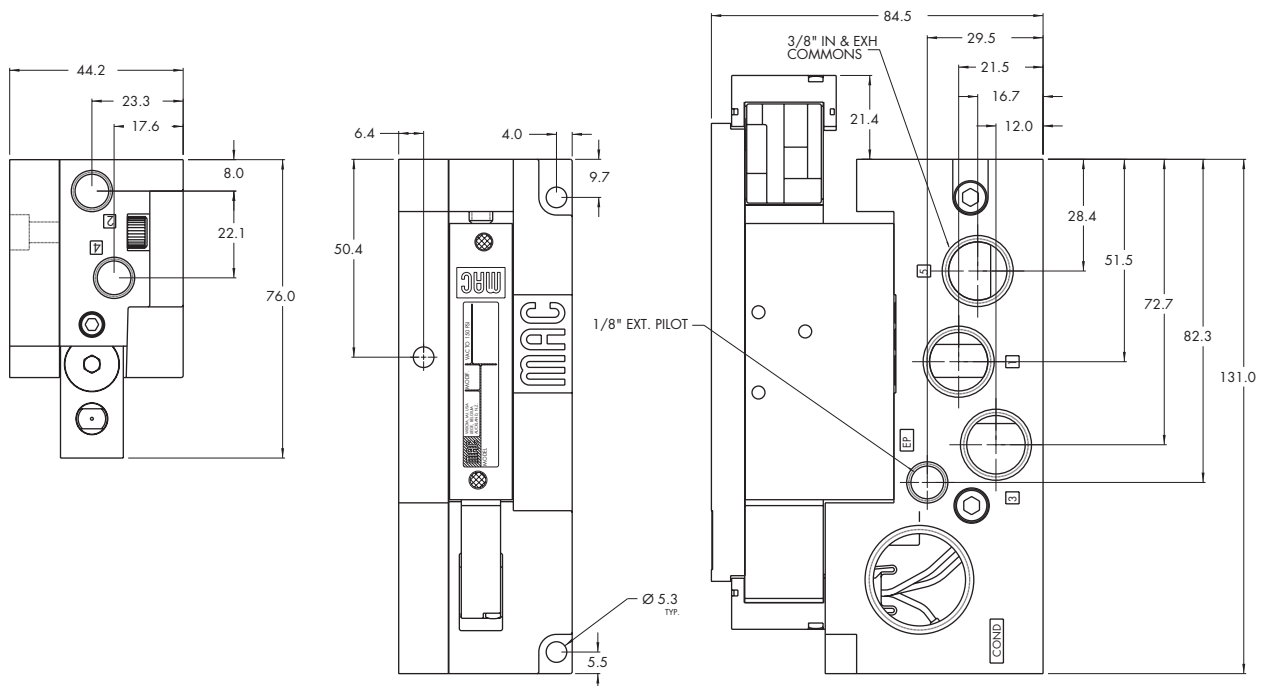
|  |  |
|--|--|
| <b>Fluid :</b>                             | Compressed air, vacuum, inert gases  |
| <b>Pressure range :</b>                    | Internal pilot: 2 pos.: 20 to 120 PSI - 3 pos.: 35 to 120 PSI<br>External pilot: vacuum to 120 PSI |
| <b>Pilot pressure :</b>                    | 2 position : 20 to 120 PSI - 3 position : 35 to 120 PSI  |
| <b>Lubrication :</b>                       | Not required, if used select a medium aniline point lubricant (between 180°F and 210°F)            |
| <b>Filtration :</b>                        | 40 μ   |
| <b>Temperature range :</b>                 | 0°F to 120°F (-18°C to +50°C)  |
| <b>Flow :</b>                              | 1/8" side ports: (1.0 C <sub>v</sub> ) – 1/8" bottom ports : (1.1 C <sub>v</sub> )                 |
| <b>Coil :</b>                              | Class A continuous duty, #22 AWG x 12 base leads   |
| <b>Voltage range :</b>                     | -15% to +10% of nominal voltage  |
| <b>Power :</b>                             | 1.0 to 4.0 W   |
| <b>Response times :</b><br>(with 4 W coil) | Energize : 6 ms<br>De-energize : 6 ms  |

Options :

- BSPP threads • 1/4" O.D. pressed in tube receptacles • Sandwich Flow controls: FC48B-AB
- Sandwich regulator: see "regulators" section

**DIMENSIONS**

Dimensions shown are metric (mm)





# Direct solenoid and solenoid pilot operated valves

| Function        | Port size   | Flow [Max]               | Manifold mounting           | Series |
|-----------------|-------------|--------------------------|-----------------------------|--------|
| <b>5/2, 5/3</b> | <b>1/8"</b> | <b>1.1 C<sub>v</sub></b> | Manifold base non "plug-in" |        |

## OPERATIONAL BENEFITS

1. 4-way valve with 4-way integral pilot.
2. 16 mm valve (stacks on 16.5 mm centers).
3. High flow (up to 1.1 C<sub>v</sub>).
4. Fast repeatable response times.
5. Maximum shifting forces in both directions.
6. Long life.



- 33
- 34
- 36
- 32
- 37
- 38
- 52
- 67
- 69
- 44
- 46
- 42
- 47
- 48P

## HOW TO ORDER

### SINGLE PRESSURE MODELS (MIDDLE STATION MANIFOLDS WITH SIDE PORTS)

| Port size              | Pilot air | 5/2 Single solenoid  | 5/2 Double solenoid  | 5/3 Closed center    | 5/3 Open center      |
|------------------------|-----------|----------------------|----------------------|----------------------|----------------------|
|                        |           |                      |                      |                      |                      |
| <b>Valve less base</b> | Internal  | 48B-AMA-000-Gxxx-xxx | 48B-BMA-000-Gxxx-xxx | 48B-EMA-000-Gxxx-xxx | 48B-FMA-000-Gxxx-xxx |
|                        | External  | 48B-AMD-000-Gxxx-xxx | 48B-BMD-000-Gxxx-xxx | 48B-EMD-000-Gxxx-xxx | 48B-FMD-000-Gxxx-xxx |
| <b>1/8" NPTF</b>       | Internal  | 48B-AMA-AJL-Gxxx-xxx | 48B-BMA-AJL-Gxxx-xxx | 48B-EMA-AJL-Gxxx-xxx | 48B-FMA-AJL-Gxxx-xxx |
|                        | External  | 48B-AMD-AJM-Gxxx-xxx | 48B-BMD-AJM-Gxxx-xxx | 48B-EMD-AJM-Gxxx-xxx | 48B-FMD-AJM-Gxxx-xxx |

### DUAL PRESSURE MODELS (MIDDLE STATION MANIFOLDS WITH SIDE PORTS)

| Port size              | Pilot air        | 5/2 Single solenoid  | 5/2 Double solenoid  | 5/3 Pressure center  |
|------------------------|------------------|----------------------|----------------------|----------------------|
|                        |                  |                      |                      |                      |
| <b>Valve less base</b> | Internal         | Supply #3 port       | 48B-CMB-000-Gxxx-xxx | 48B-HMB-000-Gxxx-xxx |
|                        |                  | Supply #5 port       | 48B-CMC-000-Gxxx-xxx | 48B-HMC-000-Gxxx-xxx |
|                        | External         |                      | 48B-CMD-000-Gxxx-xxx | 48B-HMD-000-Gxxx-xxx |
|                        | <b>1/8" NPTF</b> | Internal             | Supply #3 port       | 48B-CMB-AJL-Gxxx-xxx |
| Supply #5 port         |                  |                      | 48B-CMC-AJL-Gxxx-xxx | 48B-HMC-AJL-Gxxx-xxx |
| External               |                  | 48B-CMD-AJM-Gxxx-xxx | 48B-HMD-AJM-Gxxx-xxx |                      |

- 48
- 400
- 92
- 93

### STANDARD SOLENOID OPERATOR >

G **XXX-XXX\***

| XX Voltage               | X Wire length | X Manual operator             | XX Electrical connection                                     |
|--------------------------|---------------|-------------------------------|--|
| <b>AA</b> 120 VAC (2.5W) | <b>A</b> 18"  | <b>1</b> Non-locking recessed | <b>BA</b> Flying leads                                       |
| <b>DC</b> 24 VDC (1.8W)  | <b>B</b> 24"  | <b>2</b> Locking recessed     | <b>BT</b> Flying leads with light                            |
| <b>DD</b> 24 VDC (2.5W)  | <b>C</b> 36"  |                               | <b>GA</b> MAC JAC solenoid plug-in                           |
| <b>DF</b> 24 VDC (4.0W)  |               |                               | <b>KA</b> Plug-in wire Assy.                                 |
|                          |               |                               | <b>KT</b> Plug-in wire Assy. with light                      |
|                          |               |                               | <b>KD</b> Plug-in wire Assy. with rectifier & light & ground |

\* Other options available, see page 311.  
 Latching solenoid also available, see page 133.  
 Note : - AC voltage requires connector with rectifier.  
 - Manifold assemblies consist of (1) left end manifold, (1) right end manifold, and middle station manifolds (options "J" or "K").  
**Other options available for the 48 series valves, see page 137.**

- ISO 01
- ISO 02
- ISO 1
- ISO 2
- ISO 3

**TECHNICAL DATA**

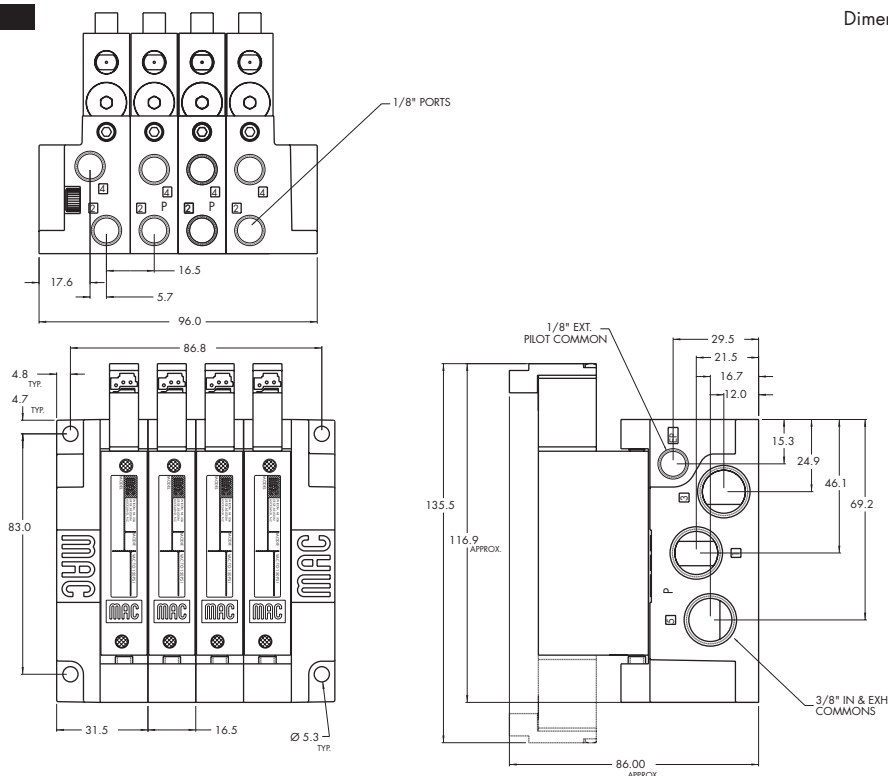
|  |  |
|--|--|
| <b>Fluid :</b>                             | Compressed air, vacuum, inert gases  |
| <b>Pressure range :</b>                    | Internal pilot: 2 pos.: 20 to 120 PSI - 3 pos.: 35 to 120 PSI<br>External pilot: vacuum to 120 PSI |
| <b>Pilot pressure :</b>                    | 2 position : 20 to 120 PSI - 3 position : 35 to 120 PSI  |
| <b>Lubrication :</b>                       | Not required, if used select a medium aniline point lubricant (between 180°F and 210°F)            |
| <b>Filtration :</b>                        | 40 µ   |
| <b>Temperature range :</b>                 | 0°F to 120°F (-18°C to +50°C)  |
| <b>Flow :</b>                              | 1/8" side ports: (1.0 C <sub>v</sub> ) – 1/8" bottom ports : (1.1 C <sub>v</sub> )                 |
| <b>Coil :</b>                              | Class A wire (#22 AWG x 18), continuous duty   |
| <b>Voltage range :</b>                     | -15% to +10% of nominal voltage  |
| <b>Power :</b>                             | 1.0 to 4.0 W   |
| <b>Response times :</b><br>(with 4 W coil) | Energize : 6 ms<br>De-energize : 6 ms  |

Options :

- BSPP threads • 1/4" O.D. pressed in tube receptacles • Sandwich flow controls: FC48B-BB
- Sandwich regulator: see "regulators" section
- Valve blanking plate: M-48004 • Isolator disk for inlet/exhaust: 28471

**DIMENSIONS**

Dimensions shown are metric (mm)



| Function        | Port size   | Flow (Max)               | Manifold mounting       | Series |
|-----------------|-------------|--------------------------|-------------------------|--------|
| <b>5/2, 5/3</b> | <b>1/8"</b> | <b>1.1 C<sub>v</sub></b> | Manifold base "plug-in" |        |

### OPERATIONAL BENEFITS

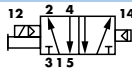
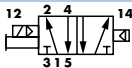
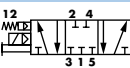
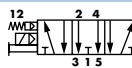
1. 4-way valve with 4-way integral pilot.
2. 16 mm valve (stacks on 16.5 mm centers).
3. High flow (up to 1.1 C<sub>v</sub>).
4. Fast repeatable response times.
5. Maximum shifting forces in both directions.
6. Long life.



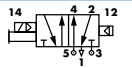
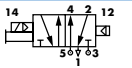
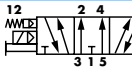
33  
34  
36  
32  
37  
38  
52  
67  
69  
44  
46  
42  
47  
48P

### HOW TO ORDER

SINGLE PRESSURE MODELS (LED STANDARD EXCEPT FOR SINGLE SOLENOIDS)

| Port size              | Pilot air | 5/2 Single solenoid   | 5/2 Double solenoid   | 5/3 Closed center  | 5/3 Open center   |
|------------------------|-----------|---|---|--|---|
|                        |           |  |  |  |  |
| <b>Valve less base</b> | Internal  | 48B-AMA-000-GxxP-xxx  | 48B-BME-000-GxxP-xST  | 48B-EME-000-GxxP-xST   | 48B-FME-000-GxxP-xST  |
|                        | External  | 48B-AMD-000-GxxP-xxx  | 48B-BMH-000-GxxP-xST  | 48B-EMH-000-GxxP-xST   | 48B-FMH-000-GxxP-xST  |
| <b>1/8" NPTF</b>       | Internal  | 48B-AMA-AJA-GxxP-xxx  | 48B-BME-AJC-GxxP-xST  | 48B-EME-AJC-GxxP-xST   | 48B-FME-AJC-GxxP-xST  |
|                        | External  | 48B-AMD-AJB-GxxP-xxx  | 48B-BMH-AJD-GxxP-xST  | 48B-EMH-AJD-GxxP-xST   | 48B-FMH-AJD-GxxP-xST  |

DUAL PRESSURE MODELS (LED STANDARD EXCEPT FOR SINGLE SOLENOIDS)

| Port size              | Pilot air | 5/2 Single solenoid   | 5/2 Double solenoid  | 5/3 Pressure center   |
|------------------------|-----------|---|--|---|
|                        |           |  |  |  |
| <b>Valve less base</b> | Internal  | Supply #3 port  | 48B-CMB-000-GxxP-xxx   | 48B-DMF-000-GxxP-xST  |
|                        |           | Supply #5 port  | 48B-CMC-000-GxxP-xxx   | 48B-DMG-000-GxxP-xST  |
|                        | External  | 48B-CMD-000-GxxP-xxx  | 48B-DMH-000-GxxP-xST   | 48B-HMH-000-GxxP-xST  |
| <b>1/8" NPTF</b>       | Internal  | Supply #3 port  | 48B-CMB-AJA-GxxP-xxx   | 48B-DMF-AJC-GxxP-xST  |
|                        |           | Supply #5 port  | 48B-CMC-AJA-GxxP-xxx   | 48B-DMG-AJC-GxxP-xST  |
|                        | External  | 48B-CMD-AJB-GxxP-xxx  | 48B-DMH-AJD-GxxP-xST   | 48B-HMH-AJD-GxxP-xST  |

48  
400  
92  
93

STANDARD SOLENOID OPERATOR >

G **XX P-XXX\***

Above numbers are middle station manifolds with side ports

| XX Voltage               | X Manual operator             | XX Electrical connection                               |
|--------------------------|-------------------------------|--|
| <b>AA</b> 120 VAC (2.5W) | <b>1</b> Non-locking recessed | <b>Double solenoid &amp; 3 position models</b>         |
| <b>DC</b> 24 VDC (1.8W)  | <b>2</b> Locking recessed     | <b>ST</b> Base plug-in                                 |
| <b>DD</b> 24 VDC (2.5W)  |                               | <b>Single solenoid models</b>                          |
| <b>DF</b> 24 VDC (4.0W)  |                               | <b>SA</b> Base plug-in                                 |
|                          |                               | <b>SJ</b> Base plug-in with LED light                  |
|                          |                               | <b>SS</b> Base plug-in with rectifier & light & ground |

ISO 01  
ISO 02  
ISO 1  
ISO 2  
ISO 3

\* Other options available, see page 311.  
Latching solenoid also available, see page 135.  
Note : - AC voltage requires connector with rectifier. (For double solenoid consult factory).  
- Manifold assemblies consist of (1) left end manifold, (1) right end manifold, and middle station manifolds (options "J" or "K").

Other options available for the 48 series valves, see page 138.

**TECHNICAL DATA**

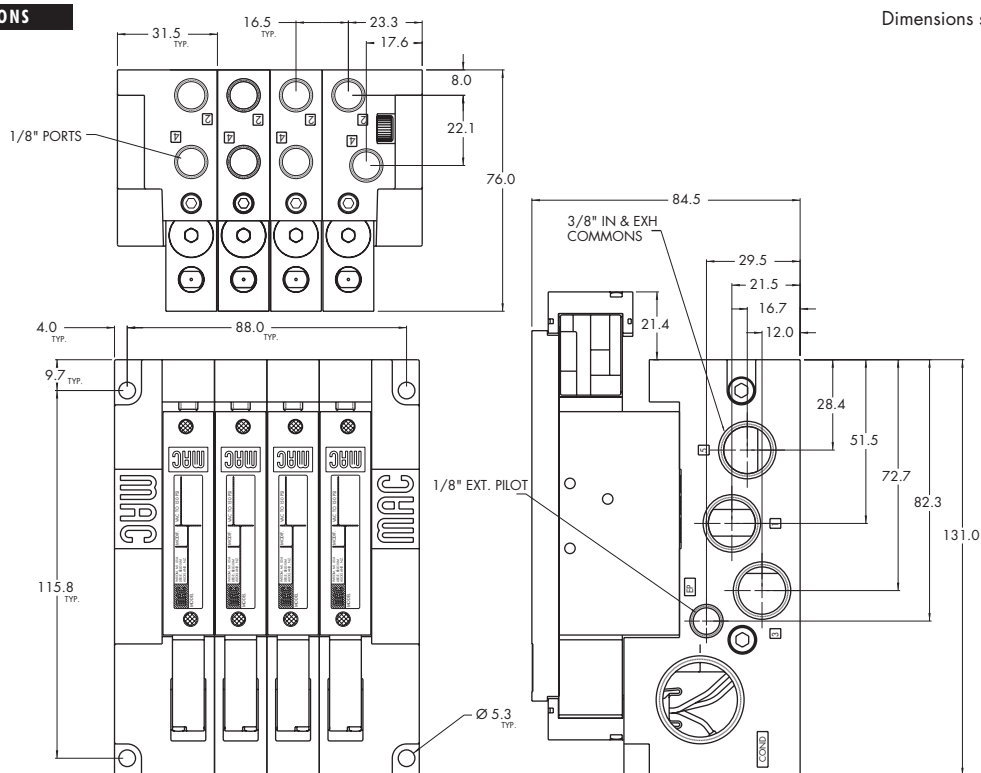
|  |  |
|--|--|
| <b>Fluid :</b>                             | Compressed air, vacuum, inert gases  |
| <b>Pressure range :</b>                    | Internal pilot: 2 pos.: 20 to 120 PSI - 3 pos.: 35 to 120 PSI<br>External pilot: vacuum to 120 PSI |
| <b>Pilot pressure :</b>                    | 2 position : 20 to 120 PSI - 3 position : 35 to 120 PSI  |
| <b>Lubrication :</b>                       | Not required, if used select a medium aniline point lubricant (between 180°F and 210°F)            |
| <b>Filtration :</b>                        | 40 μ   |
| <b>Temperature range :</b>                 | 0°F to 120°F (-18°C to +50°C)  |
| <b>Flow :</b>                              | 1/8" side ports: (1.0 C <sub>v</sub> ) – 1/8" bottom ports : (1.1 C <sub>v</sub> )                 |
| <b>Coil :</b>                              | Class A wire (#22 AWG x 18), continuous duty   |
| <b>Voltage range :</b>                     | -15% to +10% of nominal voltage  |
| <b>Power :</b>                             | 1.0 to 4.0 W   |
| <b>Response times :</b><br>(with 4 W coil) | Energize : 6 ms<br>De-energize : 6 ms  |

Options :

- BSPP threads • 1/4" O.D. pressed in tube receptacles • Sandwich flow controls: FC48B-AB
- Sandwich regulator: see "regulators" section
- Valve blanking plate: M-48004 • Isolator disk for inlet/exhaust: 28471
- Plug-in wire protector: 24180

**DIMENSIONS**

Dimensions shown are metric (mm)





# Direct solenoid and solenoid pilot operated valves

| Function   | Port size   | Flow [Max]               | Individual/Manifold mounting   | Series |
|------------|-------------|--------------------------|--|--------|
| <b>5/2</b> | <b>1/8"</b> | <b>1.1 C<sub>v</sub></b> | Sub-base/<br>manifold base<br>non "plug-in"<br>with latching<br>solenoid |        |

### OPERATIONAL BENEFITS

1. 4-way valve with 4-way integral pilot.
2. 16 mm valve (stacks on 16.5 mm centers).
3. High flow (up to 1.1 C<sub>v</sub>).
4. Fast repeatable response times.
5. Maximum shifting forces in both directions.
6. Long life.



- 33
- 34
- 36
- 32
- 37
- 38
- 52
- 67
- 69
- 44
- 46
- 42
- 47
- 48P

### HOW TO ORDER

#### SINGLE PRESSURE MODELS (INDIVIDUAL BASE WITH SIDE PORTS)

| Port size              | Pilot air | 5/2<br>Single pressure |  |
|------------------------|-----------|------------------------|--|
|                        |           |                        |  |
| <b>Valve less base</b> | Internal  | 48A-AMA-000-Lxxx-xxx   |  |
|                        | External  | 48A-AMD-000-Lxxx-xxx   |  |
| <b>1/8" NPTF</b>       | Internal  | 48A-AMA-AAL-Lxxx-xxx   |  |
|                        | External  | 48A-AMD-AAM-Lxxx-xxx   |  |

#### DUAL PRESSURE MODELS (INDIVIDUAL BASE WITH SIDE PORTS)

| Port size              | Pilot air |                | 5/2<br>Dual pressure |
|------------------------|-----------|----------------|----------------------|
|                        |           |                |                      |
| <b>Valve less base</b> | Internal  | Supply #3 port | 48A-CMB-000-Lxxx-xxx |
|                        |           | Supply #5 port | 48A-CMC-000-Lxxx-xxx |
|                        | External  |                | 48A-CMD-000-Lxxx-xxx |
| <b>1/8" NPTF</b>       | Internal  | Supply #3 port | 48A-CMB-AAL-Lxxx-xxx |
|                        |           | Supply #5 port | 48A-CMC-AAL-Lxxx-xxx |
|                        | External  |                | 48A-CMD-AAM-Lxxx-xxx |

- 48
- 400
- 92
- 93

#### LATCHING SOLENOID >

| L <b>XXX-XXX*</b>        |               |                      |  |
|--------------------------|---------------|----------------------|--|
| XX Voltage               | X Wire length | X Manual operator    | XX Electrical connection                                     |
| <b>DF</b> 24 VDC (4.0W)  | <b>A</b> 18"  | <b>0</b> No operator | <b>BA</b> 2 Wire flying leads                                |
| <b>HA</b> 24 VDC (1.95W) | <b>B</b> 24"  |                      | <b>BJ</b> 4 Wire flying leads                                |
|                          | <b>C</b> 36"  |                      | <b>KA</b> 2 Wire Plug-in assembly                            |
|                          |               |                      | <b>KE</b> 4 Wire Plug-in assembly                            |
|                          |               |                      | <b>LA</b> 3 Wire Plug-in assembly (Polarity Switching Cover) |

- ISO 01
- ISO 02
- ISO 1
- ISO 2
- ISO 3

\* Other options available, see page 319.  
 Note : Manifold assemblies consist of (1) left end manifold, (1) right end manifold, and middle station manifolds (options "J" or "K").  
**Other options available for the 48 series valves, see page 137.**

**TECHNICAL DATA**

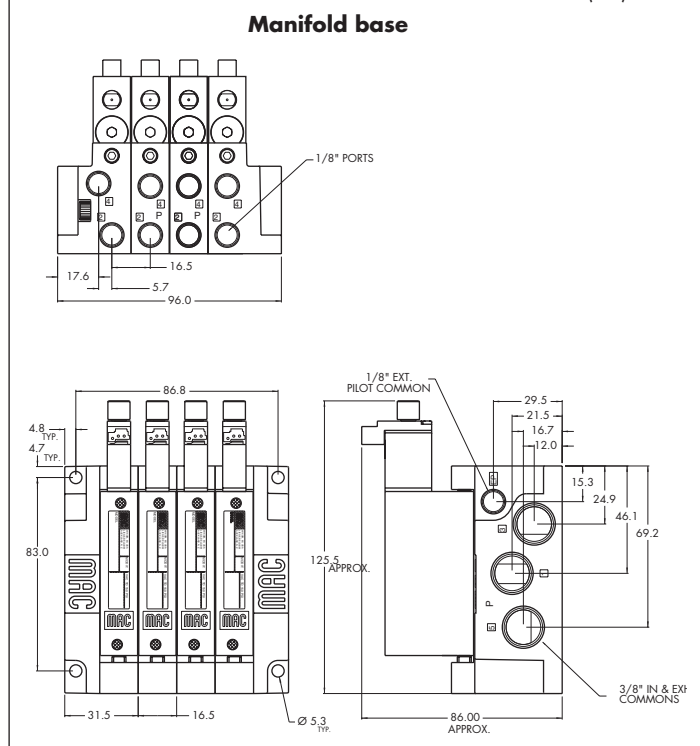
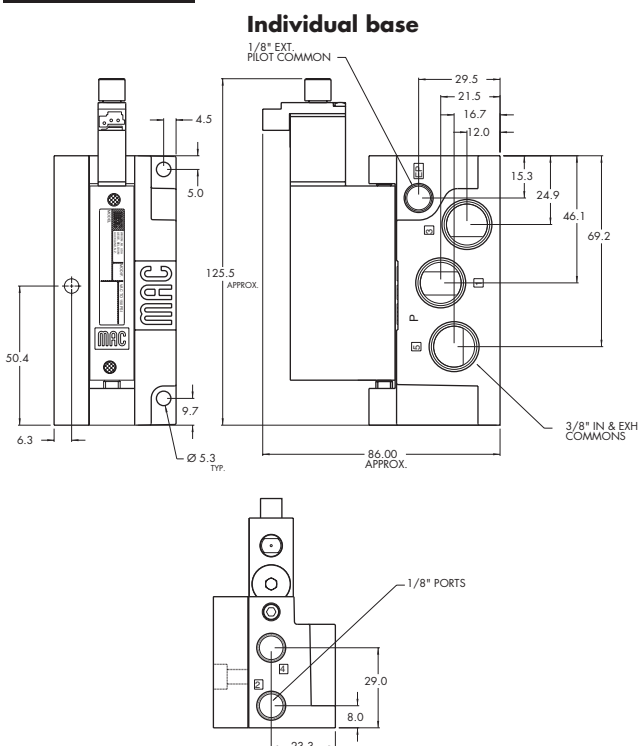
|  |   |
|--|---|
| <b>Fluid :</b>                             | Compressed air, vacuum, inert gases   |
| <b>Pressure range :</b>                    | Internal pilot: 20 to 120 PSI<br>External pilot: vacuum to 120 PSI                      |
| <b>Pilot pressure :</b>                    | 20 to 120 PSI   |
| <b>Lubrication :</b>                       | Not required, if used select a medium aniline point lubricant (between 180°F and 210°F) |
| <b>Filtration :</b>                        | 40 μ  |
| <b>Temperature range :</b>                 | 0°F to 120°F (-18°C to +50°C)   |
| <b>Flow :</b>                              | 1/8" side ports: (1.0 C <sub>v</sub> ) – 1/8" bottom ports : (1.1 C <sub>v</sub> )      |
| <b>Coil :</b>                              | Class A wire (#22 AWG x 18), continuous duty  |
| <b>Voltage range :</b>                     | -15% to +10% of nominal voltage   |
| <b>Power :</b>                             | 1.0 to 4.0 W  |
| <b>Response times :</b><br>(with 4 W coil) | Energize : 6 ms<br>De-energize : 6 ms   |

Options :

- BSPP threads • 1/4" O.D. pressed in tube receptacles • Sandwich flow controls: FC48B-BB
- Sandwich regulator: see "regulators" section
- Valve blanking plate: M-48004 • Isolator disk for inlet/exhaust: 28471

**DIMENSIONS**

Dimensions shown are metric (mm)





# Direct solenoid and solenoid pilot operated valves

| Function   | Port size   | Flow [Max]               | Individual/Manifold mounting   | Series |
|------------|-------------|--------------------------|--|--------|
| <b>5/2</b> | <b>1/8"</b> | <b>1.1 C<sub>v</sub></b> | Sub-base/<br>manifold base<br>"plug-in"<br>with latching<br>solenoid |        |

### OPERATIONAL BENEFITS

1. 4-way valve with 4-way integral pilot.
2. 16 mm valve (stacks on 16.5 mm centers).
3. High flow (up to 1.1 C<sub>v</sub>).
4. Fast repeatable response times.
5. Maximum shifting forces in both directions.
6. Long life.



- 33
- 34
- 36
- 32
- 37
- 38
- 52
- 67
- 69
- 44
- 46
- 42
- 47
- 48P

### HOW TO ORDER

#### SINGLE PRESSURE MODELS (2-WIRE INDIVIDUAL BASE WITH SIDE PORTS)

| Port size              | Pilot air | 5/2<br>Single pressure |  |
|------------------------|-----------|------------------------|--|
|                        |           |                        |  |
| <b>Valve less base</b> | Internal  | 48A-AMA-000-LxxP-xxx   |  |
|                        | External  | 48A-AMD-000-LxxP-xxx   |  |
| <b>1/8" NPTF</b>       | Internal  | 48A-AMA-AAA-LxxP-xxx   |  |
|                        | External  | 48A-AMD-AAB-LxxP-xxx   |  |

#### DUAL PRESSURE MODELS (2-WIRE INDIVIDUAL BASE WITH SIDE PORTS)

| Port size              | Pilot air |                | 5/2<br>Dual pressure |
|------------------------|-----------|----------------|----------------------|
|                        |           |                |                      |
| <b>Valve less base</b> | Internal  | Supply #3 port | 48A-CMB-000-LxxP-xxx |
|                        |           | Supply #5 port | 48A-CMC-000-LxxP-xxx |
|                        | External  |                | 48A-CMD-000-LxxP-xxx |
| <b>1/8" NPTF</b>       | Internal  | Supply #3 port | 48A-CMB-AAA-LxxP-xxx |
|                        |           | Supply #5 port | 48A-CMC-AAA-LxxP-xxx |
|                        | External  |                | 48A-CMD-AAB-LxxP-xxx |

- 48
- 400
- 92
- 93

#### LATCHING SOLENOID >

L **XX** P-**XXX**\*

| <b>XX</b> Voltage        | <b>X</b> Manual operator | <b>XX</b> Electrical connection**                  |
|--------------------------|--------------------------|--|
| <b>DF</b> 24 VDC (4.0W)  | <b>0</b> No operator     | <b>DA</b> Plug-in                                  |
| <b>DN</b> 12 VDC (4.0W)  |                          | <b>EA</b> Plug-in 3 PIN (Polarity Switching Cover) |
| <b>HA</b> 24 VDC (1.95W) |                          |  |
| <b>HE</b> 12 VDC (1.95W) |                          |  |

- ISO 01
- ISO 02
- ISO 1
- ISO 2
- ISO 3

\* Other options available, see page 319.

\*\* For latching solenoid 2 and 4 wire, use electrical connector DA, DB, DC or DD. For 3 wire latching, use the "EA" connector.

**Other options available for the 48 series valves, see page 138.**



**TECHNICAL DATA**

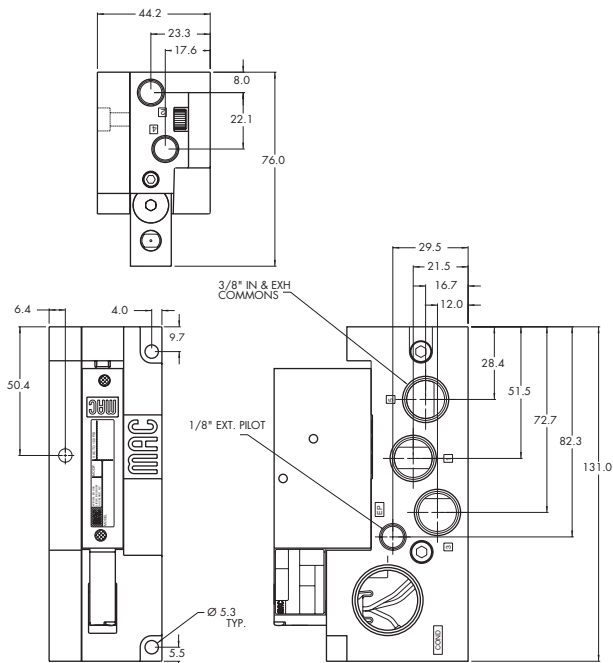
|   |   |
|---|---|
| <b>Fluid :</b>                              | Compressed air, vacuum, inert gases   |
| <b>Pressure range :</b>                     | Internal pilot: 20 to 120 PSI<br>External pilot: vacuum to 120 PSI                      |
| <b>Pilot pressure :</b>                     | 20 to 120 PSI   |
| <b>Lubrication :</b>                        | Not required, if used select a medium aniline point lubricant (between 180°F and 210°F) |
| <b>Filtration :</b>                         | 40 μ  |
| <b>Temperature range :</b>                  | 0°F to 120°F (-18°C to +50°C)   |
| <b>Flow :</b>                               | 1/8" side ports: (1.0 C <sub>v</sub> ) – 1/8" bottom ports: (1.1 C <sub>v</sub> )       |
| <b>Coil :</b>                               | Class A continuous duty, #22 AWG x 12 base leads  |
| <b>Voltage range :</b>                      | -15% to +10% of nominal voltage   |
| <b>Power :</b>                              | 1.0 to 4.0 W  |
| <b>Response times :<br/>(with 4 W coil)</b> | Energize : 6 ms<br>De-energize : 6 ms   |

Options :

- BSPP threads • 1/4" O.D. pressed in tube receptacles • Sandwich flow controls: FC48B-AB
- Sandwich regulator: see "regulators" section
- Valve blanking plate: M-48004 • Isolator disk for inlet/exhaust: 28471
- Plug-in wire protector : 24180

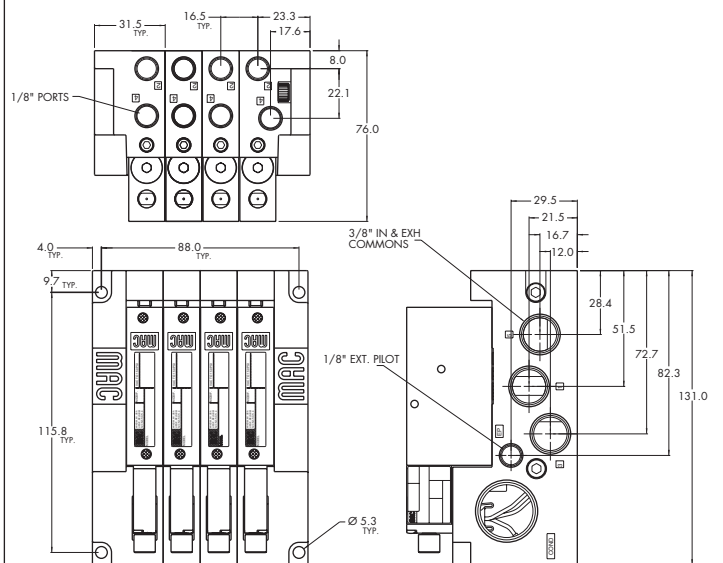
**DIMENSIONS**

**Individual base**



Dimensions shown are metric (mm)

**Manifold base**



|  |               |
|--|---------------|
| <b>OPTIONS FOR NON PLUG-IN VALVES</b>                              | <b>33</b>     |
| <b>Base type :</b>   | <b>34</b>     |
| <b>Individual base</b>   | <b>36</b>     |
| 48B-XXX- <b>AX</b> -Gxxx-xxx                                       |               |
| <b>A</b> Individual base – Side ports                              |               |
| <b>B</b> Individual base – Bottom ports                            |               |
| <b>Manifold base</b>   | <b>32</b>     |
| 48B-XXX- <b>XJX</b> -Gxxx-xxx                                      |               |
| <b>J</b> Manifold base – Side ports                                |               |
| <b>K</b> Manifold base – Bottom ports                              |               |
| <b>L</b> Left end manifold base – Side ports                       |               |
| <b>M</b> Left end manifold base – Bottom ports                     |               |
| <b>N</b> Right end manifold base – Side ports                      |               |
| <b>P</b> Right end manifold base – Bottom ports                    |               |
| <b>Universal spool</b>   | <b>37</b>     |
| 48B- <b>RXX</b> -XXX-Gxxx-xxx                                      | <b>38</b>     |
| <b>R</b> 2 position single solenoid universal spool                | <b>52</b>     |
| <b>S</b> 2 position double solenoid universal spool                | <b>67</b>     |
| <b>Base only :</b>   | <b>69</b>     |
| 48B-000-XXX (i.e. 48B-000-AAL) - Individual base                   | <b>44</b>     |
| 48B-000-XXX (i.e. 48B-000-AJL) - Manifold base                     | <b>46</b>     |
| <b>Pilot style :</b>   | <b>42</b>     |
| 48B- <b>XXM</b> -XXX-Gxxx-xxx                                      | <b>47</b>     |
| <b>M</b> Pilot exhaust muffled                                     |               |
| <b>P</b> Pilot exhaust piped (# 10-32)                             |               |
| <b>U</b> Pilot exhaust to main exhaust                             | <b>48P</b>    |
| <b>Base/Manifold configurations for LATCHING SOLENOID VALVES :</b> | <b>48</b>     |
| 48A-xxx- <b>AX</b> -Lxxx-xxx                                       | <b>400</b>    |
| <b>A</b> Individual base – Side ports                              |               |
| <b>B</b> Individual base – Bottom ports                            |               |
| <b>J</b> Manifold base – Side ports                                |               |
| <b>K</b> Manifold base – Bottom ports                              |               |
| <b>L</b> Left end manifold base – Side ports                       | <b>92</b>     |
| <b>M</b> Left end manifold base – Bottom ports                     |               |
| <b>N</b> Right end manifold base – Side ports                      |               |
| <b>P</b> Right end manifold base – Bottom ports                    | <b>93</b>     |
|  | <b>ISO 01</b> |
|  | <b>ISO 02</b> |
|  | <b>ISO 1</b>  |
|  | <b>ISO 2</b>  |
|  | <b>ISO 3</b>  |

## OPTIONS FOR PLUG-IN VALVES

### Base type :

#### Individual base

48B-XXX-XAX-GxxP-xxx

- A Individual base – Side ports
- B Individual base – Bottom ports

#### Manifold base

48B-XXX-XJX-GxxP-xxx

- J Manifold base – Side ports
- K Manifold base – Bottom ports
- L Left end manifold base – Side ports
- M Left end manifold base – Bottom ports
- N Right end manifold base – Side ports
- P Right end manifold base – Bottom ports

### Universal spool

48B-RXX-XXX-GxxP-xxx

- R 2 position single solenoid universal spool
- S 2 position double solenoid universal spool

### Base only :

48B-000-XXX (i.e. 48B-000-AAA)

- Individual base wired for a single solenoid valve

48B-000-XXX (i.e. 48B-000-AJC)

- Manifold base wired for a double solenoid valve

### For LED with diode (2 & 3 position double solenoid valves)

48B-XXJ-XXX-GxxP-xST

- J Internal pilot single pressure
- K Internal pilot dual pressure supply from #3 port
- L Internal pilot dual pressure supply from #5 port
- M External pilot

### Pilot style :

48B-XXM-XXX-GxxP-xxx

- M Pilot exhaust muffled
- P Pilot exhaust piped (# 10-32)
- U Pilot exhaust to main exhaust

### Base/Manifold configurations for LATCHING SOLENOID VALVES :

48A-xxx-xAx-LxxP-xxx

- A Individual base – Side ports
- B Individual base – Bottom ports
- J Manifold base – Side ports
- K Manifold base – Bottom ports
- L Left end manifold base – Side ports
- M Left end manifold base – Bottom ports
- N Right end manifold base – Side ports
- P Right end manifold base – Bottom ports

### Base/Manifold options for int./ext. pilot for LATCHING SOLENOID VALVES :

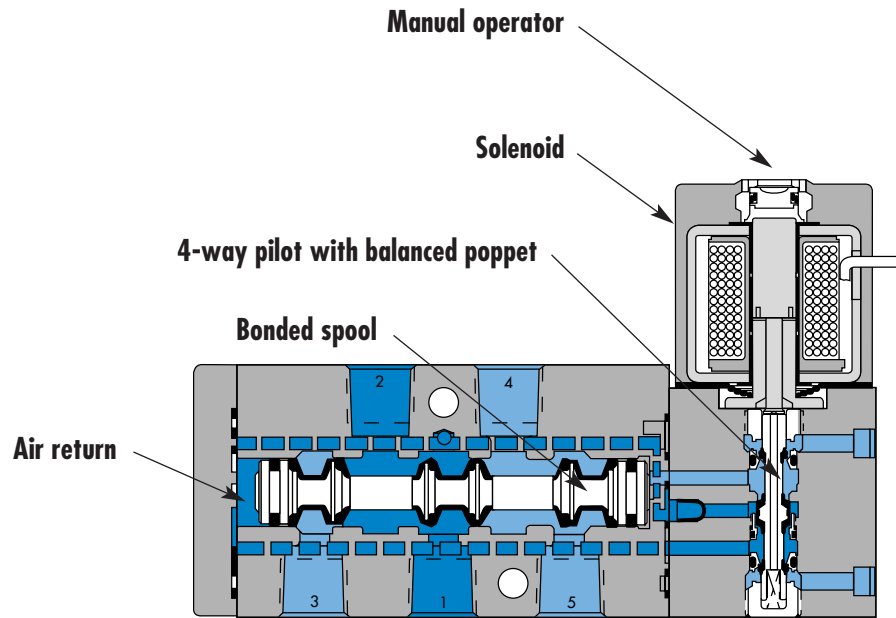
48A-xxx-xxA-LxxP-xxx

- A Plug-in Int. Pilot – 2 Wire Latching
- B Plug-in Ext. Pilot – 2 Wire Latching
- C Plug-in Int. Pilot – 3 Wire Latching
- D Plug-in Ext. Pilot – 3 Wire Latching
- E Plug-in Int. Pilot – 4 Wire Latching
- F Plug-in Ext. Pilot – 4 Wire Latching

Individual mounting

|        |                        |
|--------|------------------------|
| Inline | Sub-base non "plug-in" |
|--------|------------------------|

Series



33

34

36

32

37

38

52

67

69

44

46

42

47

48P

48

48

**400**

92

**SERIES FEATURES**

- Patented MACSOLENOID® for fastest possible response times and virtually burn-out proof AC solenoid operation.
- Optional low watt DC solenoids.
- Various manual operators.
- Optional memory spring.
- 2 position or 3 position valve configurations.
- Internal or external pilot.

93

ISO 01

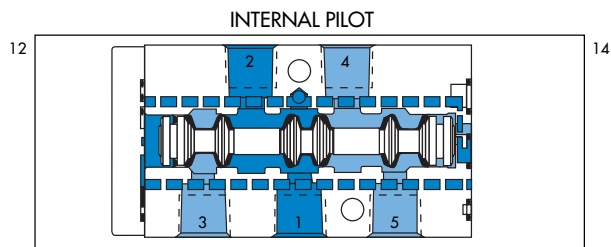
ISO 02

ISO 1

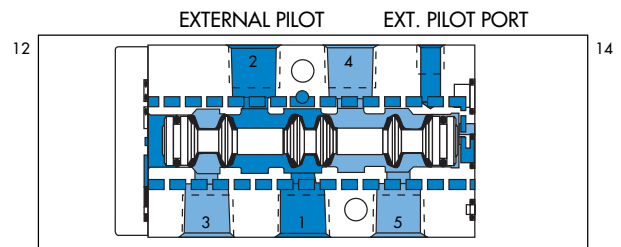
ISO 2

ISO 3

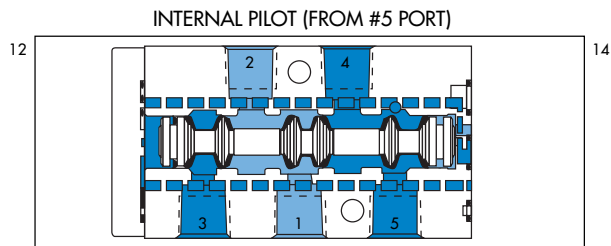
**SPOOL CONFIGURATIONS**



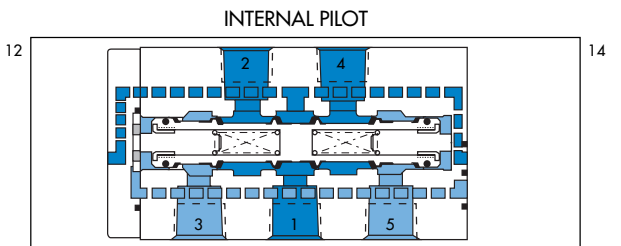
SINGLE OPERATOR - SINGLE INLET  
 SHOWN WITH 12 OPERATOR ENERGIZED



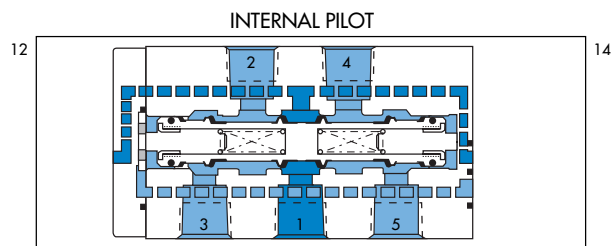
SINGLE OPERATOR - SINGLE INLET  
 SHOWN WITH 12 OPERATOR ENERGIZED



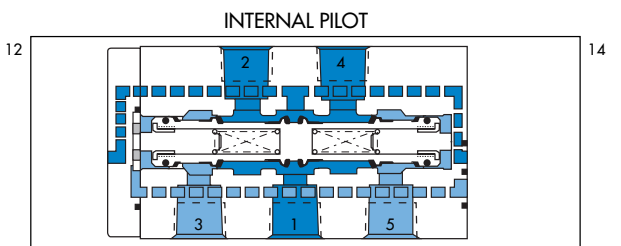
SINGLE OPERATOR - DUAL INLET  
 SHOWN WITH 12 OPERATOR ENERGIZED



3 POSITION CLOSED CENTER



3 POSITION OPEN CENTER



3 POSITION PRESSURE CENTER



# Direct solenoid and solenoid pilot operated valves

| Function        | Port size          | Flow [Max]               | Individual mounting | Series |
|-----------------|--------------------|--------------------------|---------------------|--------|
| <b>5/2, 5/3</b> | <b>1/8" - 1/4"</b> | <b>1.0 C<sub>v</sub></b> | Inline              |        |

### OPERATIONAL BENEFITS

1. The 4-way pilot develops maximum shifting forces both ways.
2. Memory spring available.
3. Balanced spool, immune to variations of pressure, also provides high flow.
4. Short stroke with high flow.
5. Bonded spool with minimum friction, shifting in a glass-like finished bore.
6. Wiping effect eliminates sticking.
7. Long service life.



33  
34  
36  
32  
37  
38  
52  
67  
69  
44  
46  
42  
47  
48P

### HOW TO ORDER

#### SINGLE PRESSURE MODELS

| Port size        | Pilot air | 5/2 Single operator  | 5/2 Double operator  | 5/3 Closed center    | 5/3 Open center      | 5/3 Pressure center  |
|------------------|-----------|----------------------|----------------------|----------------------|----------------------|----------------------|
|                  |           |                      |                      |                      |                      |                      |
| <b>1/8" NPTF</b> | Internal  | 411A-A0A-XX-XXXX-XXX | 421A-A0A-XX-XXXX-XXX | 451A-A0A-XX-XXXX-XXX | 461A-A0A-XX-XXXX-XXX | 471A-A0A-XX-XXXX-XXX |
| <b>1/4" NPTF</b> | Internal  | 411A-B0A-XX-XXXX-XXX | 421A-B0A-XX-XXXX-XXX | 451A-B0A-XX-XXXX-XXX | 461A-B0A-XX-XXXX-XXX | 471A-B0A-XX-XXXX-XXX |
| <b>1/8" NPTF</b> | External  | 411A-A0B-XX-XXXX-XXX | 421A-A0B-XX-XXXX-XXX | 451A-A0B-XX-XXXX-XXX | 461A-A0B-XX-XXXX-XXX | 471A-A0B-XX-XXXX-XXX |
| <b>1/4" NPTF</b> | External  | 411A-B0B-XX-XXXX-XXX | 421A-B0B-XX-XXXX-XXX | 451A-B0B-XX-XXXX-XXX | 461A-B0B-XX-XXXX-XXX | 471A-B0B-XX-XXXX-XXX |

#### DUAL PRESSURE MODELS (INTERNAL PILOT – PILOT PRESSURE SUPPLY FROM #5 PORT)

| Port size        | Pilot air | 5/2 Single operator  | 5/2 Double operator  |
|------------------|-----------|----------------------|----------------------|
|                  |           |                      |                      |
| <b>1/8" NPTF</b> | Internal  | 431A-A0A-XX-XXXX-XXX | 441A-A0A-XX-XXXX-XXX |
| <b>1/4" NPTF</b> | Internal  | 431A-B0A-XX-XXXX-XXX | 441A-B0A-XX-XXXX-XXX |
| <b>1/8" NPTF</b> | External  | 431A-A0B-XX-XXXX-XXX | 441A-A0B-XX-XXXX-XXX |
| <b>1/4" NPTF</b> | External  | 431A-B0B-XX-XXXX-XXX | 441A-B0B-XX-XXXX-XXX |

48  
400  
92  
93

#### SOLENOID OPERATOR >

### DM-D XXX-XXX\*

| XX Voltage                      | X Wire length               | X Manual operator             | XX Electrical connection                   |
|---------------------------------|-----------------------------|-------------------------------|--|
| <b>JA</b> 110/50, 120/60 (2.9W) | <b>A</b> 18" (Flying leads) | <b>1</b> Non-locking recessed | <b>KA</b> Square connector                 |
| <b>JB</b> 220/50, 240/60 (2.9W) | <b>B</b> 24" (Flying leads) | <b>2</b> Locking recessed     | <b>KD</b> Square connector with light      |
| <b>JC</b> 24/60 (2.9W)          | <b>J</b> Connector          |                               | <b>JB</b> Rectangular connector            |
| <b>FB</b> 24 VDC (1.8W)         |                             |                               | <b>JD</b> Rectangular connector with light |
| <b>DA</b> 24 VDC (5.4W)         |                             |                               | <b>BA</b> Flying leads                     |
| <b>DF</b> 24 VDC (12.7W)        |                             |                               |  |

ISO 01  
ISO 02  
ISO 1  
ISO 2  
ISO 3

#### SOLENOID OPERATOR >

### GM-G XXX-XXX\*\*

| XX Voltage             | X Wire length | X Manual operator             | XX Electrical connection                |
|------------------------|---------------|-------------------------------|---|
| <b>DC</b> 24VDC (1.8W) | <b>A</b> 18"  | <b>1</b> Non-locking recessed | <b>BA</b> Flying leads                  |
| <b>DD</b> 24VDC (2.5W) | <b>B</b> 24"  | <b>2</b> Locking recessed     | <b>BT</b> Flying leads with light       |
| <b>DF</b> 24VDC (4.0W) | <b>C</b> 36"  |                               | <b>KA</b> Plug-in wire assy.            |
|                        |               |                               | <b>KT</b> Plug-in wire assy. with light |

\* Other options available, see page 309.  
\*\* Other options available, see page 313.

**TECHNICAL DATA**

|                            |   |
|----------------------------|---|
| <b>Fluid :</b>             | Compressed air, vacuum, inert gases   |
| <b>Pressure range :</b>    | Internal pilot – 2 pos. : 20 to 120 PSI (with memory spring: 30 to 120 PSI) 3 pos.: 35 to 120 PSI<br>External pilot : vacuum to 120 PSI |
| <b>Pilot pressure :</b>    | 2 position: 20 to 120 PSI (with memory spring: 30 to 120 PSI) 3 position: 35 to 120 PSI   |
| <b>Lubrication :</b>       | Not required, if used select a medium aniline point lubricant (between 180°F and 210°F)   |
| <b>Filtration :</b>        | 40 µ  |
| <b>Temperature range :</b> | 0°F to 120°F (-18°C to +50°C)   |
| <b>Flow :</b>              | 1.0 C <sub>v</sub>  |
| <b>Coil :</b>              | Class A continuous duty, #22 AWG x 12 leads wires   |
| <b>Voltage range :</b>     | -15% to +10% of nominal voltage   |
| <b>Protection :</b>        | Consult factory   |
| <b>Power :</b>             | ~Inrush : 10.9 VA      Holding : 7.7 VA<br>= 1.8 to 12.7 W  |
| <b>Response times :</b>    | 24 V= /5.4W      Energize : 7.3 ms      De-energize : 5.3 ms<br>120/60      Energize : 8-12 ms      De-energize : 7-11 ms               |

Options :

- BSPP threads • Namur interface (specify mod. 1080 after model)

**411A-A0A-XX-XXX-XXX**

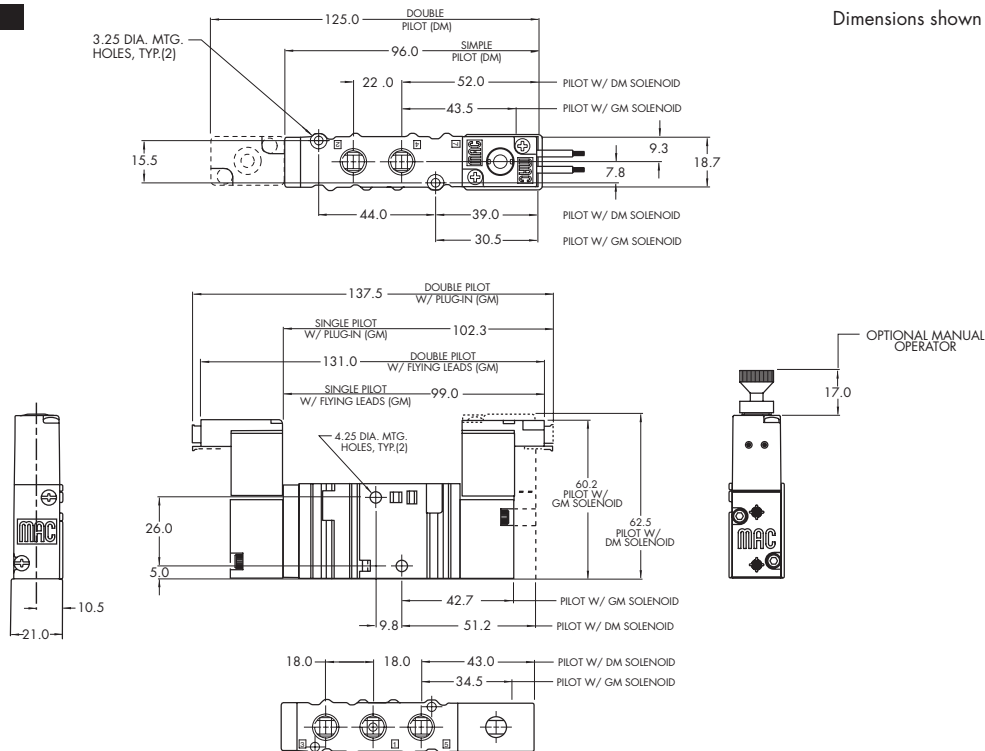
- Dual pressure models, replace by **C** for pilot supply from #3 port
- For memory spring, replace by **4** (single operator models only)
- Replace by **8** for 3 position dual pressure, pressure center

Spare parts :

- DM pilot body pressure seal: 16542 • DM pilot spacer plate: 24168-01.

**DIMENSIONS**

Dimensions shown are metric (mm)





# Direct solenoid and solenoid pilot operated valves

| Function        | Port size          | Flow [Max]               | Individual mounting    | Series |
|-----------------|--------------------|--------------------------|------------------------|--------|
| <b>5/2, 5/3</b> | <b>1/8" - 1/4"</b> | <b>1.0 C<sub>v</sub></b> | Sub-base non "plug-in" |        |

### OPERATIONAL BENEFITS

1. The 4-way pilot develops maximum shifting forces both ways.
2. Memory spring available.
3. Balanced spool, immune to variations of pressure, also provides high flow.
4. Short stroke with high flow.
5. Bonded spool with minimum friction, shifting in a glass-like finished bore.
6. Wiping effect eliminates sticking.
7. Long service life.



33  
34  
36  
32  
37  
38  
52  
67  
69  
44  
46  
42  
47  
48P

### HOW TO ORDER

#### SINGLE PRESSURE MODELS

| Port size         | Pilot air | 5/2 Single operator  | 5/2 Double operator  | 5/3 Closed center    | 5/3 Open center      | 5/3 Pressure center  |
|-------------------|-----------|----------------------|----------------------|----------------------|----------------------|----------------------|
|                   |           |                      |                      |                      |                      |                      |
| <b>Valve only</b> | Internal  | 413A-00A-XX-XXXX-XXX | 423A-00A-XX-XXXX-XXX | 453A-00A-XX-XXXX-XXX | 463A-00A-XX-XXXX-XXX | 473A-00A-XX-XXXX-XXX |
|                   | External  | 413A-00D-XX-XXXX-XXX | 423A-00D-XX-XXXX-XXX | 453A-00D-XX-XXXX-XXX | 463A-00D-XX-XXXX-XXX | 473A-00D-XX-XXXX-XXX |
| <b>1/8" NPTF</b>  | Internal  | 413A-AAA-XX-XXXX-XXX | 423A-AAA-XX-XXXX-XXX | 453A-AAA-XX-XXXX-XXX | 463A-AAA-XX-XXXX-XXX | 473A-AAA-XX-XXXX-XXX |
| <b>1/4" NPTF</b>  |           | 413A-BAA-XX-XXXX-XXX | 423A-BAA-XX-XXXX-XXX | 453A-BAA-XX-XXXX-XXX | 463A-BAA-XX-XXXX-XXX | 473A-BAA-XX-XXXX-XXX |
| <b>1/8" NPTF</b>  | External  | 413A-AAD-XX-XXXX-XXX | 423A-AAD-XX-XXXX-XXX | 453A-AAD-XX-XXXX-XXX | 463A-AAD-XX-XXXX-XXX | 473A-AAD-XX-XXXX-XXX |
| <b>1/4" NPTF</b>  |           | 413A-BAD-XX-XXXX-XXX | 423A-BAD-XX-XXXX-XXX | 453A-BAD-XX-XXXX-XXX | 463A-BAD-XX-XXXX-XXX | 473A-BAD-XX-XXXX-XXX |

#### DUAL PRESSURE MODELS (INTERNAL PILOT – PILOT PRESSURE SUPPLY FROM #5 PORT)

| Port size         | Pilot air | 5/2 Single operator  | 5/2 Double operator  |
|-------------------|-----------|----------------------|----------------------|
|                   |           |                      |                      |
| <b>Valve only</b> | Internal  | 433A-00A-XX-XXXX-XXX | 443A-00A-XX-XXXX-XXX |
|                   | External  | 433A-00D-XX-XXXX-XXX | 443A-00D-XX-XXXX-XXX |
| <b>1/8" NPTF</b>  | Internal  | 433A-AAA-XX-XXXX-XXX | 443A-AAA-XX-XXXX-XXX |
| <b>1/4" NPTF</b>  |           | 433A-BAA-XX-XXXX-XXX | 443A-BAA-XX-XXXX-XXX |
| <b>1/8" NPTF</b>  | External  | 433A-AAD-XX-XXXX-XXX | 443A-AAD-XX-XXXX-XXX |
| <b>1/4" NPTF</b>  |           | 433A-BAD-XX-XXXX-XXX | 443A-BAD-XX-XXXX-XXX |

48  
400  
92  
93

#### SOLENOID OPERATOR >

### DM-D XXX-XXX\*

| XX Voltage                      | X Wire length               | X Manual operator             | XX Electrical connection                   |
|---------------------------------|-----------------------------|-------------------------------|--|
| <b>JA</b> 110/50, 120/60 (2.9W) | <b>A</b> 18" (Flying leads) | <b>1</b> Non-locking recessed | <b>KA</b> Square connector                 |
| <b>JB</b> 220/50, 240/60 (2.9W) | <b>B</b> 24" (Flying leads) | <b>2</b> Locking recessed     | <b>KD</b> Square connector with light      |
| <b>JC</b> 24/60 (2.9W)          | <b>J</b> Connector          |                               | <b>JB</b> Rectangular connector            |
| <b>FB</b> 24 VDC (1.8W)         |                             |                               | <b>JD</b> Rectangular connector with light |
| <b>DA</b> 24 VDC (5.4W)         |                             |                               | <b>BA</b> Flying leads                     |
| <b>DF</b> 24 VDC (12.7W)        |                             |                               |  |

ISO 01  
ISO 02  
ISO 1  
ISO 2  
ISO 3

#### SOLENOID OPERATOR >

### GM-G XXX-XXX\*\*

| XX Voltage             | X Wire length | X Manual operator             | XX Electrical connection                |
|------------------------|---------------|-------------------------------|---|
| <b>DC</b> 24VDC (1.8W) | <b>A</b> 18"  | <b>1</b> Non-locking recessed | <b>BA</b> Flying leads                  |
| <b>DD</b> 24VDC (2.5W) | <b>B</b> 24"  | <b>2</b> Locking recessed     | <b>BT</b> Flying leads with light       |
| <b>DF</b> 24VDC (4.0W) | <b>C</b> 36"  |                               | <b>KA</b> Plug-in wire assy.            |
|                        |               |                               | <b>KT</b> Plug-in wire assy. with light |

\* Other options available, see page 309.  
\*\* Other options available, see page 313.



**TECHNICAL DATA**

|                            |   |
|----------------------------|---|
| <b>Fluid :</b>             | Compressed air, vacuum, inert gases   |
| <b>Pressure range :</b>    | Internal pilot – 2 pos. : 20 to 120 PSI (with memory spring: 30 to 120 PSI) 3 pos.: 35 to 120 PSI<br>External pilot : vacuum to 120 PSI |
| <b>Pilot pressure :</b>    | 2 position: 20 to 120 PSI (with memory spring: 30 to 120 PSI) 3 position: 35 to 120 PSI   |
| <b>Lubrication :</b>       | Not required, if used select a medium aniline point lubricant (between 180°F and 210°F)   |
| <b>Filtration :</b>        | 40 µ  |
| <b>Temperature range :</b> | 0°F to 120°F (-18°C to +50°C)   |
| <b>Flow :</b>              | 1.0 C <sub>v</sub>  |
| <b>Coil :</b>              | Class A continuous duty, #22 AWG x 12 leads wires   |
| <b>Voltage range :</b>     | -15% to +10% of nominal voltage   |
| <b>Protection :</b>        | Consult factory   |
| <b>Power :</b>             | ~Inrush : 10.9 VA    Holding : 7.7 VA<br>= 1.8 to 12.7 W  |
| <b>Response times :</b>    | 24 V= /5.4W    Energize : 7.3 ms    De-energize : 5.3 ms<br>120/60    Energize : 8-12 ms    De-energize : 7-11 ms                       |

Options :

- BSPP threads

413A-AAA-XX-XXXX-XXX

- Dual pressure models, replace by **C** for pilot supply from #3 port
- For flow control, replace by **B**
- For memory spring, replace by **6**

Base only :

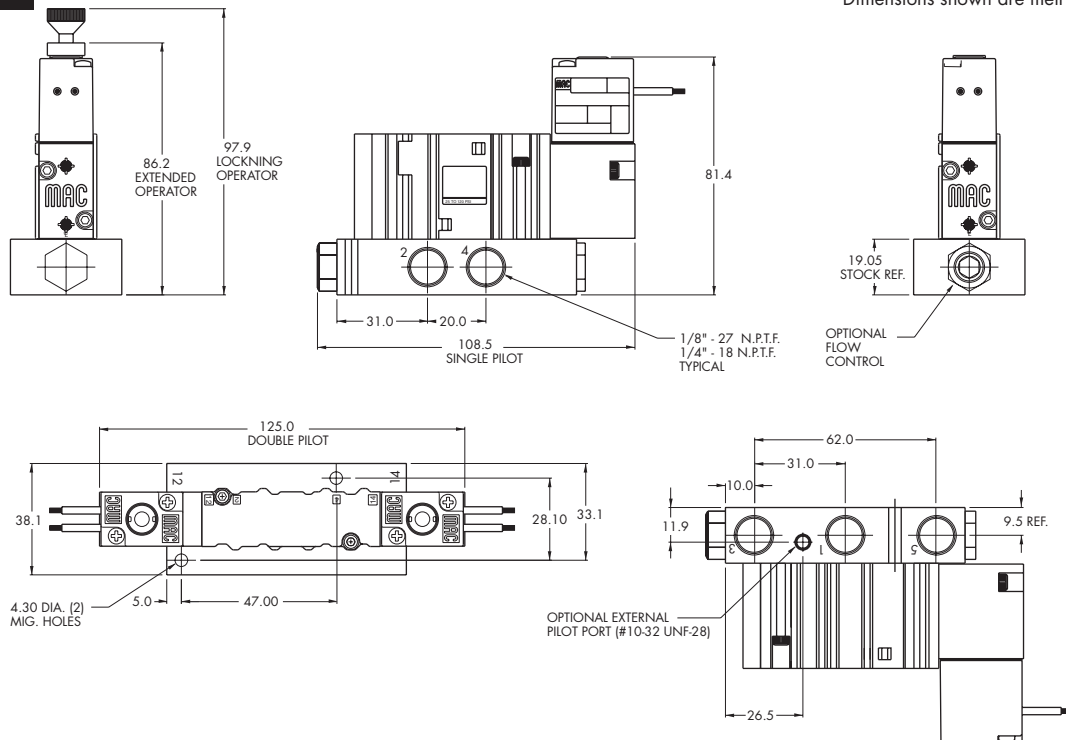
400A-XXX  
(i.e. 400A-AAA)

Spare parts :

- Body to base seal: 16525 • Flow control assembly: N-04001 • Body mounting screws (x2): 35043.

**DIMENSIONS**

Dimensions shown are metric (mm)



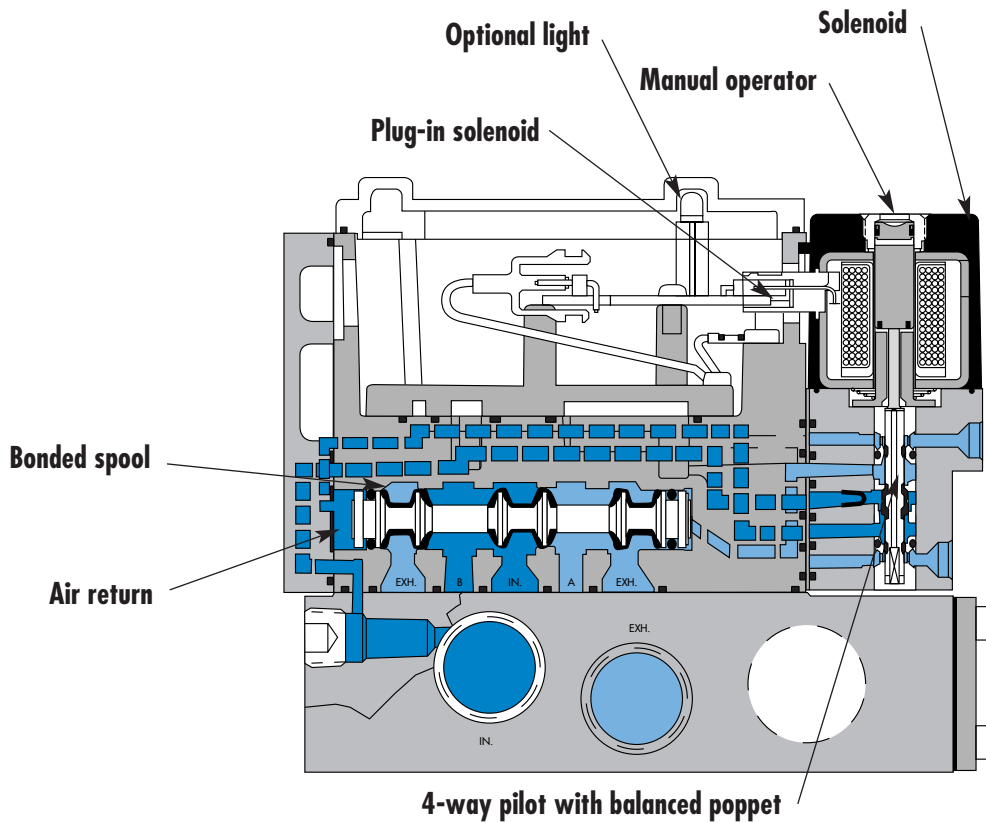
Individual mounting

|                        |                    |
|------------------------|--------------------|
| Sub-base non "plug-in" | Sub-base "plug-in" |
|------------------------|--------------------|

Series

Manifold mounting

|                        |                    |
|------------------------|--------------------|
| Sub-base non "plug-in" | Sub-base "plug-in" |
|------------------------|--------------------|



33

34

36

32

37

38

52

67

69

44

46

42

47

48P

48

400

**92**

**SERIES FEATURES**

- Patented MACSOLENOID® for fastest possible response times and virtually burn-out proof AC solenoid operation.
- Optional low watt DC solenoids.
- Optional memory spring.
- Plug-in design of valves and bases for ease of maintenance.
- 2 position or 3 position valve configurations.

93

ISO 01

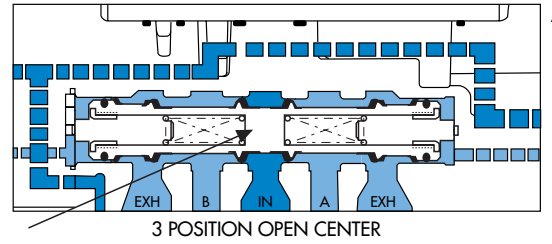
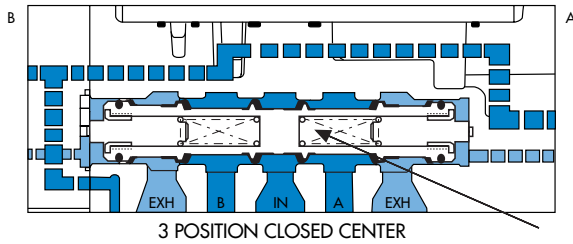
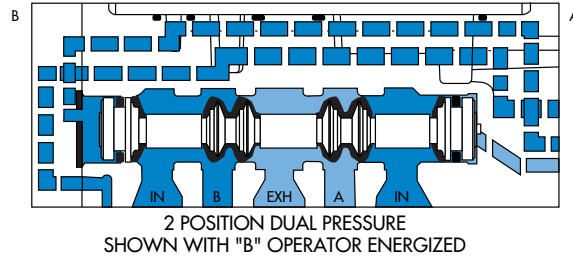
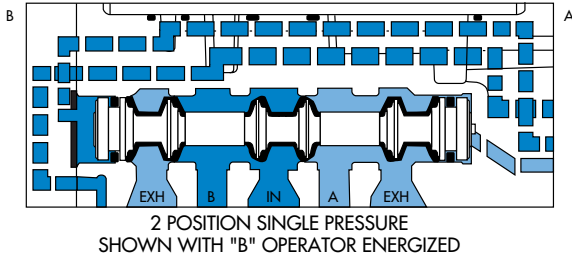
ISO 02

ISO 1

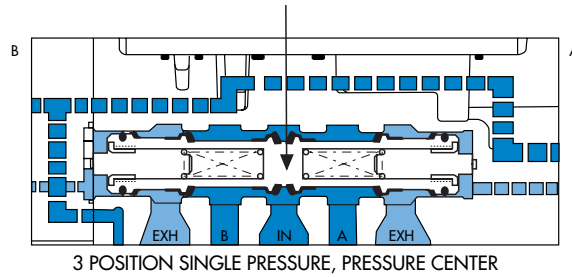
ISO 2

ISO 3

**SPOOL CONFIGURATIONS**



**SPRING CENTERING**



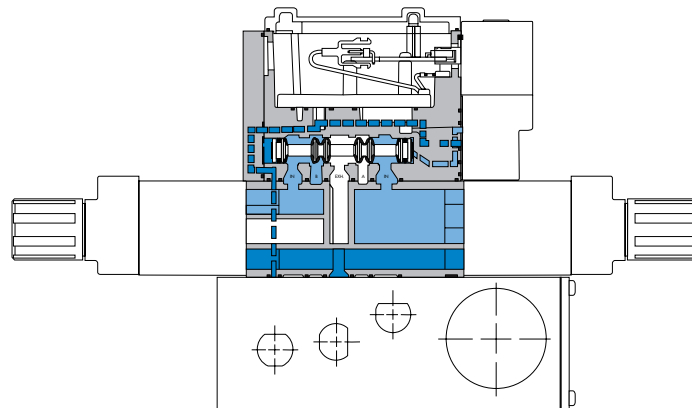
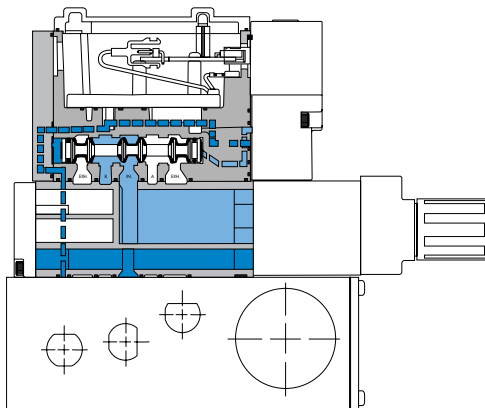
**REGULATOR CONFIGURATIONS**

**SINGLE REGULATOR - SINGLE PRESSURE**

Pressure supplied to the individual or manifold base passes through the regulator. Regulated pressure is supplied to the pressure path of the valve.

**DUAL REGULATOR - DUAL PRESSURE**

Pressure supplied from each regulator is divided in the block. Regulated pressure from "A" regulator supplies cylinder port "A". Regulated pressure from "B" regulator supplies cylinder port "B". Dual pressure regulators require dual pressure spool in valve.



**MANIFOLD WITH REGULATOR - SINGLE PRESSURE**

**Note:** For both single and dual pressure, air supply to the pilot system is never regulated.

**MANIFOLD WITH REGULATOR - DUAL PRESSURE**



# Direct solenoid and solenoid pilot operated valves

| Function        | Port size                 | Flow (Max)               | Individual mounting    | Series |
|-----------------|---------------------------|--------------------------|------------------------|--------|
| <b>5/2, 5/3</b> | <b>1/8" - 1/4" - 3/8"</b> | <b>1.2 C<sub>v</sub></b> | Sub-base non "plug-in" |        |

### OPERATIONAL BENEFITS

1. The 4-way pilot develops maximum shifting forces both ways.
2. Memory spring available.
3. Balanced spool, immune to variations of pressure, also provides high flow.
4. Short stroke with high flow.
5. Bonded seal spool with minimum friction, shifting in a glass-like finished bore.
6. Pilot with balanced poppet, high flow; short and consistent response times.



- 33
- 34
- 36
- 32
- 37
- 38
- 52
- 67
- 69
- 44
- 46
- 42
- 47
- 48P
- 48

### HOW TO ORDER

#### SINGLE PRESSURE MODELS

| Port size              | Pilot air | 5/2 Single operator     | 5/2 Double operator     | 5/3 Closed center       | 5/3 Open center         | 5/3 Pressure center     |
|------------------------|-----------|-------------------------|-------------------------|-------------------------|-------------------------|-------------------------|
|                        |           |                         |                         |                         |                         |                         |
| <b>Valve less base</b> |           | 92B-ABA-000-DM-Dxxx-xxx | 92B-BBA-000-DM-Dxxx-xxx | 92B-EBA-000-DM-Dxxx-xxx | 92B-FBA-000-DM-Dxxx-xxx | 92B-GBA-000-DM-Dxxx-xxx |
| <b>1/8" NPTF</b>       |           | 92B-ABA-AAG-DM-Dxxx-xxx | 92B-BBA-AAG-DM-Dxxx-xxx | 92B-EBA-AAG-DM-Dxxx-xxx | 92B-FBA-AAG-DM-Dxxx-xxx | 92B-GBA-AAG-DM-Dxxx-xxx |
| <b>1/4" NPTF</b>       | Internal  | 92B-ABA-BAG-DM-Dxxx-xxx | 92B-BBA-BAG-DM-Dxxx-xxx | 92B-EBA-BAG-DM-Dxxx-xxx | 92B-FBA-BAG-DM-Dxxx-xxx | 92B-GBA-BAG-DM-Dxxx-xxx |
| <b>3/8" NPTF</b>       |           | 92B-ABA-CAG-DM-Dxxx-xxx | 92B-BBA-CAG-DM-Dxxx-xxx | 92B-EBA-CAG-DM-Dxxx-xxx | 92B-FBA-CAG-DM-Dxxx-xxx | 92B-GBA-CAG-DM-Dxxx-xxx |
| <b>1/8" NPTF</b>       |           | 92B-ABA-AAH-DM-Dxxx-xxx | 92B-BBA-AAH-DM-Dxxx-xxx | 92B-EBA-AAH-DM-Dxxx-xxx | 92B-FBA-AAH-DM-Dxxx-xxx | 92B-GBA-AAH-DM-Dxxx-xxx |
| <b>1/4" NPTF</b>       | External  | 92B-ABA-BAH-DM-Dxxx-xxx | 92B-BBA-BAH-DM-Dxxx-xxx | 92B-EBA-BAH-DM-Dxxx-xxx | 92B-FBA-BAH-DM-Dxxx-xxx | 92B-GBA-BAH-DM-Dxxx-xxx |
| <b>3/8" NPTF</b>       |           | 92B-ABA-CAH-DM-Dxxx-xxx | 92B-BBA-CAH-DM-Dxxx-xxx | 92B-EBA-CAH-DM-Dxxx-xxx | 92B-FBA-CAH-DM-Dxxx-xxx | 92B-GBA-CAH-DM-Dxxx-xxx |

#### DUAL PRESSURE MODELS (REQUIRE SANDWICH REGULATOR – SEE "REGULATORS" SECTION)

| Port size              | Pilot air | 5/2 Single operator     | 5/2 Double operator     |
|------------------------|-----------|-------------------------|-------------------------|
|                        |           |                         |                         |
| <b>Valve less base</b> |           | 92B-CBA-000-DM-Dxxx-xxx | 92B-DBA-000-DM-Dxxx-xxx |
| <b>1/8" NPTF</b>       |           | 92B-CBA-AAG-DM-Dxxx-xxx | 92B-DBA-AAG-DM-Dxxx-xxx |
| <b>1/4" NPTF</b>       | Internal  | 92B-CBA-BAG-DM-Dxxx-xxx | 92B-DBA-BAG-DM-Dxxx-xxx |
| <b>3/8" NPTF</b>       |           | 92B-CBA-CAG-DM-Dxxx-xxx | 92B-DBA-CAG-DM-Dxxx-xxx |
| <b>1/8" NPTF</b>       |           | 92B-CBA-AAH-DM-Dxxx-xxx | 92B-DBA-AAH-DM-Dxxx-xxx |
| <b>1/4" NPTF</b>       | External  | 92B-CBA-BAH-DM-Dxxx-xxx | 92B-DBA-BAH-DM-Dxxx-xxx |
| <b>3/8" NPTF</b>       |           | 92B-CBA-CAH-DM-Dxxx-xxx | 92B-DBA-CAH-DM-Dxxx-xxx |

- 400
- 92
- 93
- ISO 01
- ISO 02
- ISO 1
- ISO 2
- ISO 3

#### SOLENOID OPERATOR >

### DM-D XXX-XXX\*

Above models are shown with side ports.

| XX Voltage                       | X Wire length               | X Manual operator             | XX Electrical connection                   |
|----------------------------------|-----------------------------|-------------------------------|--|
| <b>JA</b> 110 /50, 120/60 (2.9W) | <b>A</b> 18" (Flying leads) | <b>1</b> Non-locking recessed | <b>BM</b> Flying leads                     |
| <b>JB</b> 220/50, 240/60 (2.9W)  | <b>B</b> 24" (Flying leads) | <b>2</b> Locking recessed     | <b>BN</b> Flying leads with diode          |
| <b>JC</b> 24/60 (2.9W)           | <b>J</b> Connector          |                               | <b>BP</b> Flying leads with M.O.V.         |
| <b>FB</b> 24 VDC (1.8W)          |                             |                               | <b>BG</b> Flying leads with ground         |
| <b>DA</b> 24 VDC (5.4W)          |                             |                               | <b>JB</b> Rectangular connector            |
| <b>DF</b> 24 VDC (12.7W)         |                             |                               | <b>JD</b> Rectangular connector with light |
|                                  |                             |                               | <b>KA</b> Square connector                 |

\* Other options available, see page 309.

Other options available for the 92 series valves, see page 155.

**TECHNICAL DATA**

|                            |  |
|----------------------------|--|
| <b>Fluid :</b>             | Compressed air, vacuum, inert gases  |
| <b>Pressure range :</b>    | Internal pilot : 20 to 120 PSI      3 position : 35 to 120 PSI<br>External pilot : vacuum to 120 PSI      3 position : 35 to 120 PSI |
| <b>Lubrication :</b>       | Not required, if used select a medium aniline point lubricant (between 180°F and 210°F)  |
| <b>Filtration :</b>        | 40 µ   |
| <b>Temperature range :</b> | 0°F to 120°F (-18°C to +50°C)  |
| <b>Flow :</b>              | 1/8": (1.0 C <sub>v</sub> ) – 1/4": (1.1 C <sub>v</sub> ) – 3/8": (1.2 C <sub>v</sub> )  |
| <b>Coil :</b>              | Class A continuous duty, #22 AWG x 18 lead wire  |
| <b>Voltage range :</b>     | -15% to +10% of nominal voltage  |
| <b>Protection :</b>        | Consult factory  |
| <b>Power :</b>             | ~Inrush 7.6 VA      Holding : 4.8 VA<br>= 1.8 to 12.7 W  |
| <b>Response times :</b>    | 24V=5.4W      Energize : 8 ms      De-energize : 7 ms<br>120/60      Energize : 7-13 ms      De-energize : 12-20 ms                  |

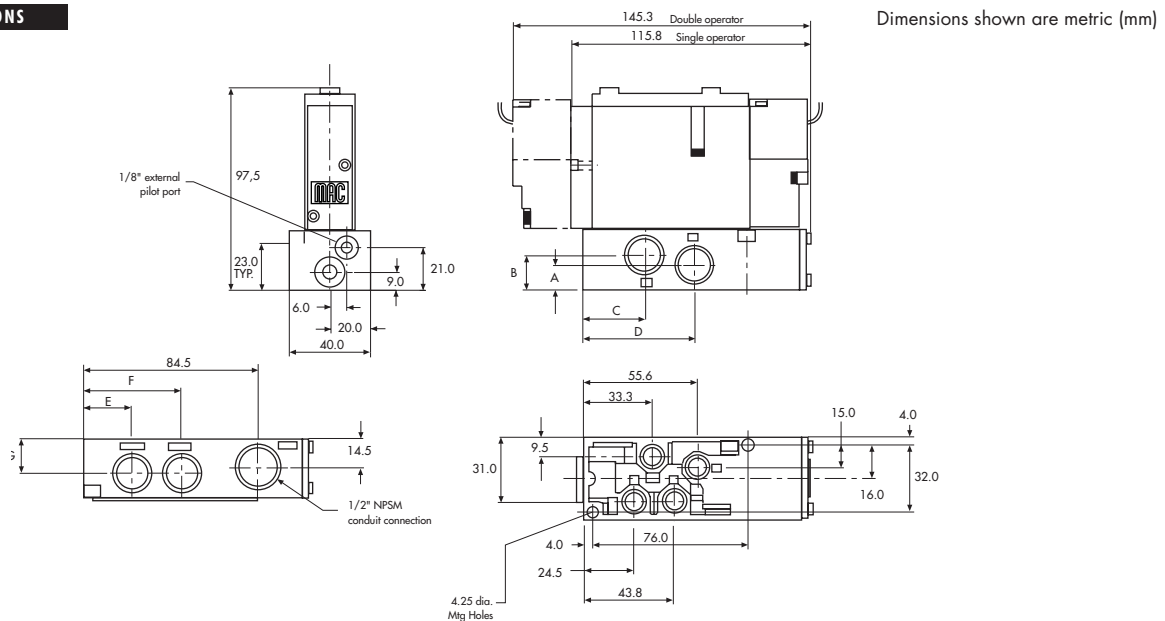
Options :

- BSPB threads • Sandwich flow control: FC92B-CA

Spare parts :

- Pilot valve DM-Dxxx-xxx • Valve blanking plate: M-92002
- Pressure seal between valve and base : 16543. • Mounting screws valve to base (X2) : 35050.

**DIMENSIONS**



| DIM. | A    | B    | C    | D    | E    | F    | G    |
|------|------|------|------|------|------|------|------|
| 1/8" | 12.5 | 18.0 | 31.0 | 54.0 | 23.5 | 46.5 | 18.0 |
| 1/4" | 12.5 | 18.0 | 31.0 | 54.0 | 23.5 | 46.5 | 18.0 |
| 3/8" | 12.0 | 17.0 | 30.0 | 54.0 | 23.5 | 47.5 | 17.0 |



# Direct solenoid and solenoid pilot operated valves

| Function        | Port size                 | Flow [Max]               | Individual mounting | Series |
|-----------------|---------------------------|--------------------------|---------------------|--------|
| <b>5/2, 5/3</b> | <b>1/8" - 1/4" - 3/8"</b> | <b>1.2 C<sub>v</sub></b> | Sub-base "plug-in"  |        |

### OPERATIONAL BENEFITS

1. The 4-way pilot develops maximum shifting forces both ways.
2. Memory spring available.
3. Balanced spool, immune to variations of pressure, also provides high flow.
4. Short stroke with high flow.
5. Bonded seal spool with minimum friction, shifting in a glass-like finished bore.
6. Pilot with balanced poppet, high flow; short and consistent response times.



- 33
- 34
- 36
- 32
- 37
- 38
- 52
- 67
- 69
- 44
- 46
- 42
- 47
- 48P
- 48

### HOW TO ORDER

#### SINGLE PRESSURE MODELS

| Port size              | Pilot air | 5/2 Single operator     | 5/2 Double operator     | 5/3 Closed center       | 5/3 Open center         | 5/3 Pressure center     |
|------------------------|-----------|-------------------------|-------------------------|-------------------------|-------------------------|-------------------------|
|                        |           |                         |                         |                         |                         |                         |
| <b>Valve less base</b> |           | 92B-AAA-000-DM-DxxP-xxx | 92B-BAA-000-DM-DxxP-xxx | 92B-EAA-000-DM-DxxP-xxx | 92B-FAA-000-DM-DxxP-xxx | 92B-GAA-000-DM-DxxP-xxx |
| <b>1/8"</b>            |           | 92B-AAA-AAA-DM-DxxP-xxx | 92B-BAA-AAA-DM-DxxP-xxx | 92B-EAA-AAA-DM-DxxP-xxx | 92B-FAA-AAA-DM-DxxP-xxx | 92B-GAA-AAA-DM-DxxP-xxx |
| <b>1/4"</b>            | Internal  | 92B-AAA-BAA-DM-DxxP-xxx | 92B-BAA-BAA-DM-DxxP-xxx | 92B-EAA-BAA-DM-DxxP-xxx | 92B-FAA-BAA-DM-DxxP-xxx | 92B-GAA-BAA-DM-DxxP-xxx |
| <b>3/8"</b>            |           | 92B-AAA-CAA-DM-DxxP-xxx | 92B-BAA-CAA-DM-DxxP-xxx | 92B-EAA-CAA-DM-DxxP-xxx | 92B-FAA-CAA-DM-DxxP-xxx | 92B-GAA-CAA-DM-DxxP-xxx |
| <b>1/8"</b>            |           | 92B-AAA-AAD-DM-DxxP-xxx | 92B-BAA-AAD-DM-DxxP-xxx | 92B-EAA-AAD-DM-DxxP-xxx | 92B-FAA-AAD-DM-DxxP-xxx | 92B-GAA-AAD-DM-DxxP-xxx |
| <b>1/4"</b>            | External  | 92B-AAA-BAD-DM-DxxP-xxx | 92B-BAA-BAD-DM-DxxP-xxx | 92B-EAA-BAD-DM-DxxP-xxx | 92B-FAA-BAD-DM-DxxP-xxx | 92B-GAA-BAD-DM-DxxP-xxx |
| <b>3/8"</b>            |           | 92B-AAA-CAD-DM-DxxP-xxx | 92B-BAA-CAD-DM-DxxP-xxx | 92B-EAA-CAD-DM-DxxP-xxx | 92B-FAA-CAD-DM-DxxP-xxx | 92B-GAA-CAD-DM-DxxP-xxx |

#### DUAL PRESSURE MODELS (REQUIRE SANDWICH REGULATOR – SEE "REGULATORS" SECTION)

| Port size              | Pilot air | 5/2 Single operator     | 5/2 Double operator     |
|------------------------|-----------|-------------------------|-------------------------|
|                        |           |                         |                         |
| <b>Valve less base</b> |           | 92B-CAA-000-DM-DxxP-xxx | 92B-DAA-000-DM-DxxP-xxx |
| <b>1/8"</b>            |           | 92B-CAA-AAA-DM-DxxP-xxx | 92B-DAA-AAA-DM-DxxP-xxx |
| <b>1/4"</b>            | Internal  | 92B-CAA-BAA-DM-DxxP-xxx | 92B-DAA-BAA-DM-DxxP-xxx |
| <b>3/8"</b>            |           | 92B-CAA-CAA-DM-DxxP-xxx | 92B-DAA-CAA-DM-DxxP-xxx |
| <b>1/8"</b>            |           | 92B-CAA-AAD-DM-DxxP-xxx | 92B-DAA-AAD-DM-DxxP-xxx |
| <b>1/4"</b>            | External  | 92B-CAA-BAD-DM-DxxP-xxx | 92B-DAA-BAD-DM-DxxP-xxx |
| <b>3/8"</b>            |           | 92B-CAA-CAD-DM-DxxP-xxx | 92B-DAA-CAD-DM-DxxP-xxx |

- 400
- 92
- 93
- ISO 01
- ISO 02
- ISO 1
- ISO 2
- ISO 3

#### SOLENOID OPERATOR >

DM-D **XX** P-**XXX**\*

Above models are shown with side ports.

| XX Voltage                          | X Manual operator             | XX Electrical connection               |
|-------------------------------------|-------------------------------|--|
| <b>JA</b> 110 / 50, 120 / 60 (2.9W) | <b>1</b> Non-locking recessed | <b>DM</b> Plug-in                      |
| <b>JB</b> 220 / 50, 240 / 60 (2.9W) | <b>2</b> Locking recessed     | <b>DN</b> Plug-in with diode           |
| <b>JC</b> 24 / 60 (2.9W)            |                               | <b>DP</b> Plug-in with M.O.V.          |
| <b>FB</b> 24 VDC (1.8W)             |                               | <b>DG</b> Plug-in with ground          |
| <b>DA</b> 24 VDC (5.4W)             |                               | <b>DJ</b> Plug-in with M.O.V. & ground |
| <b>DF</b> 24 VDC (12.7W)            |                               | <b>DH</b> Plug-in with diode & ground  |

\* Other options available, see page 309.  
 Note: Ground required for 30 Volts or higher.  
 Other options available for the 92 series valves, see page 156.

**TECHNICAL DATA**

|                            |   |                            |                        |
|----------------------------|---|----------------------------|------------------------|
| <b>Fluid :</b>             | Compressed air, vacuum, inert gases   |                            |                        |
| <b>Pressure range :</b>    | Internal pilot : 20 to 120 PSI  | 3 position : 35 to 120 PSI |                        |
|                            | External pilot : vacuum to 120 PSI  | 3 position : 35 to 120 PSI |                        |
| <b>Lubrication :</b>       | Not required, if used select a medium aniline point lubricant (between 180°F and 210°F) |                            |                        |
| <b>Filtration :</b>        | 40 μ  |                            |                        |
| <b>Temperature range :</b> | 0°F to 120°F (-18°C to +50°C)   |                            |                        |
| <b>Flow :</b>              | 1/8": (1.0 C <sub>v</sub> ) – 1/4": (1.1 C <sub>v</sub> ) – 3/8": (1.2 C <sub>v</sub> ) |                            |                        |
| <b>Coil :</b>              | Class A continuous duty, #22 AWG x 18 lead wire   |                            |                        |
| <b>Voltage range :</b>     | -15% to +10% of nominal voltage   |                            |                        |
| <b>Protection :</b>        | Consult factory   |                            |                        |
| <b>Power :</b>             | ~Inrush 7.6 VA  | Holding : 4.8 VA           |                        |
|                            | = 1.8 to 12.7 W   |                            |                        |
| <b>Response times :</b>    | 24V=5.4W  | Energize : 8 ms            | De-energize : 7 ms     |
|                            | 120/60  | Energize : 7-13 ms         | De-energize : 12-20 ms |

Options :

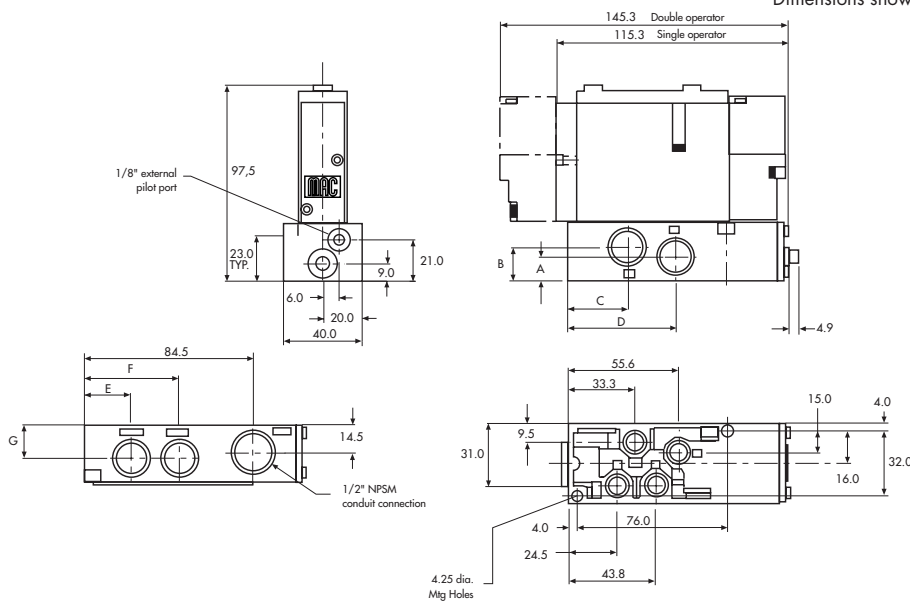
- BSPB threads • Sandwich flow control: FC92B-AA (sgl. operator), FC92B-BA (dbl. operator)

Spare parts :

- Pilot valve DM-DxxP-xxx • Valve blanking plate: M-92002
- Pressure seal between valve and base : 16543. • Mounting screws valve to base (X2) : 35050.

**DIMENSIONS**

Dimensions shown are metric (mm)



| DIM. | A    | B    | C    | D    | E    | F    | G    |
|------|------|------|------|------|------|------|------|
| 1/8" | 12.5 | 18.0 | 31.0 | 54.0 | 23.5 | 46.5 | 18.0 |
| 1/4" | 12.5 | 18.0 | 31.0 | 54.0 | 23.5 | 46.5 | 18.0 |
| 3/8" | 12.0 | 17.0 | 30.0 | 54.0 | 23.5 | 47.5 | 17.0 |



# Direct solenoid and solenoid pilot operated valves

| Function        | Port size          | Flow (Max)               | Manifold mounting      | Series |
|-----------------|--------------------|--------------------------|------------------------|--------|
| <b>5/2, 5/3</b> | <b>1/4" - 3/8"</b> | <b>1.2 C<sub>v</sub></b> | Sub-base non "plug-in" |        |

### OPERATIONAL BENEFITS

1. The 4-way pilot develops maximum shifting forces both ways.
2. Memory spring available.
3. Balanced spool, immune to variations of pressure, also provides high flow.
4. Short stroke with high flow.
5. Bonded seal spool with minimum friction, shifting in a glass-like finished bore.
6. Pilot with balanced poppet, high flow; short and consistent response times.
7. Wiping effect eliminates sticking.
8. Long service life.



33  
34  
36  
32  
37  
38  
52  
67  
69  
44

### HOW TO ORDER

#### SINGLE PRESSURE MODELS

| Port size              | Pilot air | 5/2 Single operator     | 5/2 Double operator     | 5/3 Closed center       | 5/3 Open center         | 5/3 Pressure center     |
|------------------------|-----------|-------------------------|-------------------------|-------------------------|-------------------------|-------------------------|
|                        |           |                         |                         |                         |                         |                         |
| <b>Valve less base</b> |           | 92B-ABA-000-DM-Dxxx-xxx | 92B-BBA-000-DM-Dxxx-xxx | 92B-EBA-000-DM-Dxxx-xxx | 92B-FBA-000-DM-Dxxx-xxx | 92B-GBA-000-DM-Dxxx-xxx |
| <b>1/4" NPTF</b>       | Internal  | 92B-ABA-BJG-DM-Dxxx-xxx | 92B-BBA-BJG-DM-Dxxx-xxx | 92B-EBA-BJG-DM-Dxxx-xxx | 92B-FBA-BJG-DM-Dxxx-xxx | 92B-GBA-BJG-DM-Dxxx-xxx |
| <b>3/8" NPTF</b>       |           | 92B-ABA-CJG-DM-Dxxx-xxx | 92B-BBA-CJG-DM-Dxxx-xxx | 92B-EBA-CJG-DM-Dxxx-xxx | 92B-FBA-CJG-DM-Dxxx-xxx | 92B-GBA-CJG-DM-Dxxx-xxx |

46  
42  
47  
48P

#### DUAL PRESSURE MODELS (REQUIRE SANDWICH REGULATOR – SEE "REGULATORS" SECTION)

| Port size              | Pilot air | 5/2 Single operator     | 5/2 Double operator     |
|------------------------|-----------|-------------------------|-------------------------|
|                        |           |                         |                         |
| <b>Valve less base</b> |           | 92B-CBA-000-DM-Dxxx-xxx | 92B-DBA-000-DM-Dxxx-xxx |
| <b>1/4" NPTF</b>       | Internal  | 92B-CBA-BJG-DM-Dxxx-xxx | 92B-DBA-BJG-DM-Dxxx-xxx |
| <b>3/8" NPTF</b>       |           | 92B-CBA-CJG-DM-Dxxx-xxx | 92B-DBA-CJG-DM-Dxxx-xxx |

48  
400

Above models are shown with side ports.

92  
93

#### SOLENOID OPERATOR >

### DM-D XXX-XXX\*

| XX | Voltage                | X | Wire length        | X | Manual operator      | XX | Electrical connection       |
|----|------------------------|---|--------------------|---|----------------------|----|-----------------------------|
| JA | 110 /50, 120/60 (2.9W) | A | 18" (flying leads) | 1 | Non-locking recessed | KA | Square connector            |
| JB | 220/50, 240/60 (2.9W)  | J | Connector          | 2 | Locking recessed     | KD | Square connector with light |
| JC | 24/60 (2.9W)           |   |                    |   |                      | JB | Rectangular connector       |
| FB | 24 VDC (1.8W)          |   |                    |   |                      | JD | Rect. connector with light  |
| DA | 24 VDC (5.4W)          |   |                    |   |                      | BA | Flying leads                |
| DF | 24 VDC (12.7W)         |   |                    |   |                      | BK | Flying leads with diode     |

\* Other options available, see page 309.  
End plate kit required (port size 3/8"): M-92004-01-01 (internal pilot)  
M-92004-02-01 (External pilot)

Other options available for the 92 series valves, see page 155.

ISO 01  
ISO 02  
ISO 1  
ISO 2  
ISO 3



**TECHNICAL DATA**

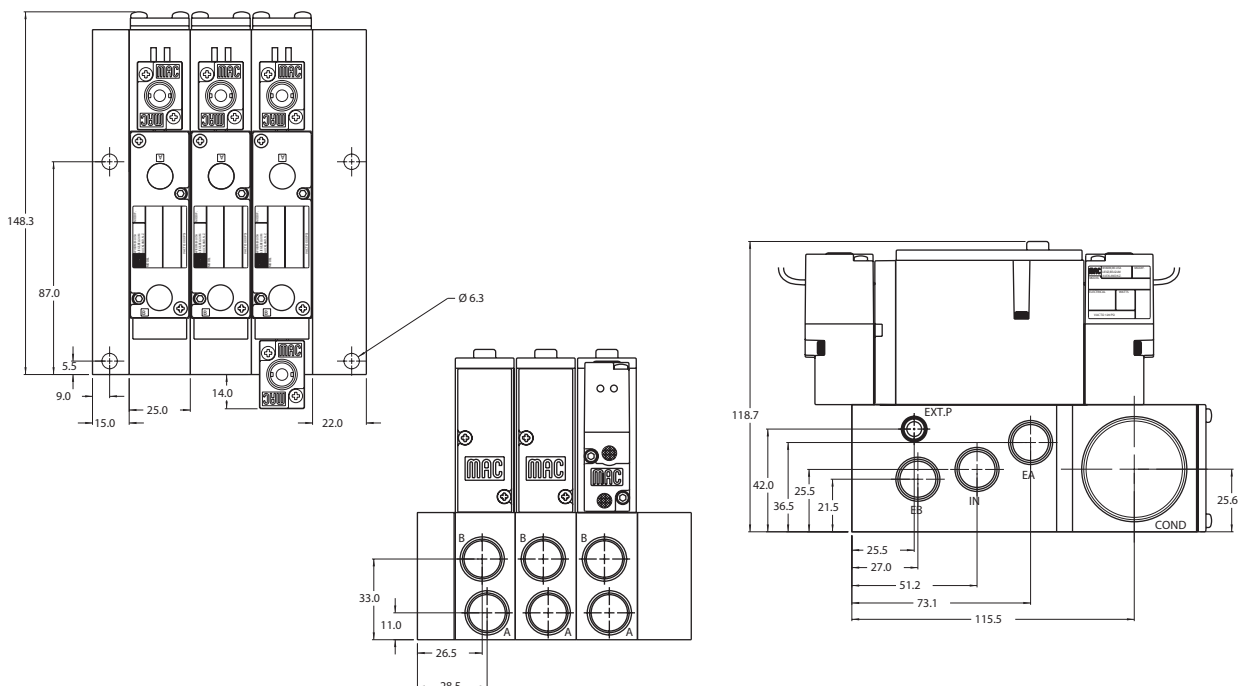
|                     |  |
|---------------------|--|
| Fluid :             | Compressed air, vacuum, inert gases  |
| Pressure range :    | Internal pilot : 20 to 120 PSI      3 position : 35 to 120 PSI<br>External pilot : vacuum to 120 PSI      3 position : 35 to 120 PSI |
| Lubrication :       | Not required, if used select a medium aniline point lubricant (between 180°F and 210°F)  |
| Filtration :        | 40 μ   |
| Temperature range : | 0°F to 120°F (-18°C to +50°C)  |
| Flow :              | 1/4": (1.1 C <sub>v</sub> ) – 3/8": (1.2 C <sub>v</sub> )  |
| Coil :              | Class A continuous duty, #22 AWG x 18 leads  |
| Voltage range :     | -15% to +10% of nominal voltage  |
| Protection :        | Consult factory  |
| Power :             | ~Inrush 7.6 VA      Holding : 4.8 VA<br>= 1.8 to 12.7 W  |
| Response times :    | 24V=/5.4W      Energize : 8 ms      De-energize : 7 ms<br>120/60      Energize : 7-13 ms      De-energize : 12-20 ms                 |

Options : • BSPP threads • Sandwich flow controls: FC92B-CA

Spare parts : • Pilot valve: DM-Dxxx-xxx • Valve blanking plate: M-92002 • Pressure seal, valve to base 16543  
• Inlet/Exhaust isolator disc: N-92018.

**DIMENSIONS**

Dimensions shown are metric (mm)





# Direct solenoid and solenoid pilot operated valves

| Function        | Port size          | Flow [Max]               | Manifold mounting  | Series |
|-----------------|--------------------|--------------------------|--------------------|--------|
| <b>5/2, 5/3</b> | <b>1/4" - 3/8"</b> | <b>1.2 C<sub>v</sub></b> | Sub-base "plug-in" |        |

### OPERATIONAL BENEFITS

1. The 4-way pilot develops maximum shifting forces both ways.
2. Memory spring available.
3. Balanced spool, immune to variations of pressure, also provides high flow.
4. Short stroke with high flow.
5. Bonded seal spool with minimum friction, shifting in a glass-like finished bore.
6. Pilot with balanced poppet, high flow; short and consistent response times.
7. Wiping effect eliminates sticking.
8. Long service life.



33  
34  
36  
32  
37  
38  
52  
67  
69  
44

### HOW TO ORDER

#### SINGLE PRESSURE MODELS

| Port size              | Pilot air | 5/2 Single operator     | 5/2 Double operator     | 5/3 Closed center       | 5/3 Open center         | 5/3 Pressure center     |
|------------------------|-----------|-------------------------|-------------------------|-------------------------|-------------------------|-------------------------|
|                        |           |                         |                         |                         |                         |                         |
| <b>Valve less base</b> |           | 92B-AAA-000-DM-DxxP-xxx | 92B-BAA-000-DM-DxxP-xxx | 92B-EAA-000-DM-DxxP-xxx | 92B-FAA-000-DM-DxxP-xxx | 92B-GAA-000-DM-DxxP-xxx |
| <b>1/4" NPTF</b>       | Internal  | 92B-AAA-BJA-DM-DxxP-xxx | 92B-BAA-BJA-DM-DxxP-xxx | 92B-EAA-BJA-DM-DxxP-xxx | 92B-FAA-BJA-DM-DxxP-xxx | 92B-GAA-BJA-DM-DxxP-xxx |
| <b>3/8" NPTF</b>       |           | 92B-AAA-CJA-DM-DxxP-xxx | 92B-BAA-CJA-DM-DxxP-xxx | 92B-EAA-CJA-DM-DxxP-xxx | 92B-FAA-CJA-DM-DxxP-xxx | 92B-GAA-CJA-DM-DxxP-xxx |

46  
42  
47

#### DUAL PRESSURE MODELS (REQUIRE SANDWICH REGULATOR – SEE "REGULATORS" SECTION)

| Port size              | Pilot air | 5/2 Single operator     | 5/2 Double operator     |
|------------------------|-----------|-------------------------|-------------------------|
|                        |           |                         |                         |
| <b>Valve less base</b> |           | 92B-CAA-000-DM-DxxP-xxx | 92B-DAA-000-DM-DxxP-xxx |
| <b>1/4" NPTF</b>       | Internal  | 92B-CAA-BJA-DM-DxxP-xxx | 92B-DAA-BJA-DM-DxxP-xxx |
| <b>3/8" NPTF</b>       |           | 92B-CAA-CJA-DM-DxxP-xxx | 92B-DAA-CJA-DM-DxxP-xxx |

48P  
48  
400

#### SOLENOID OPERATOR >

DM-D **XX** P-**XXX**\*

Above models are shown with side ports and no lights.

| XX Voltage                       | X Manual operator             | XX Electrical connection               |
|----------------------------------|-------------------------------|--|
| <b>JA</b> 110 /50, 120/60 (2.9W) | <b>1</b> Non-locking recessed | <b>DM</b> Plug-in                      |
| <b>JB</b> 220/50, 240/60 (2.9W)  | <b>2</b> Locking recessed     | <b>DN</b> Plug-in with diode           |
| <b>JC</b> 24/60 (2.9W)           |                               | <b>DP</b> Plug-in with M.O.V.          |
| <b>FB</b> 24 VDC (1.8W)          |                               | <b>DG</b> Plug-in with ground          |
| <b>DA</b> 24 VDC (5.4W)          |                               | <b>DJ</b> Plug-in with M.O.V. & ground |
| <b>DF</b> 24 VDC (12.7W)         |                               | <b>DH</b> Plug-in with diode & ground  |

92  
93

\* Other options available, see page 309.  
Note: Ground required for 30 Volts or higher.  
End plate kit required (port size 3/8"): M-92004-01-01 (internal pilot)  
M-92004-02-01 (external pilot)

Other options available for the 92 series valves, see page 156.

ISO 01  
ISO 02  
ISO 1  
ISO 2  
ISO 3

**TECHNICAL DATA**

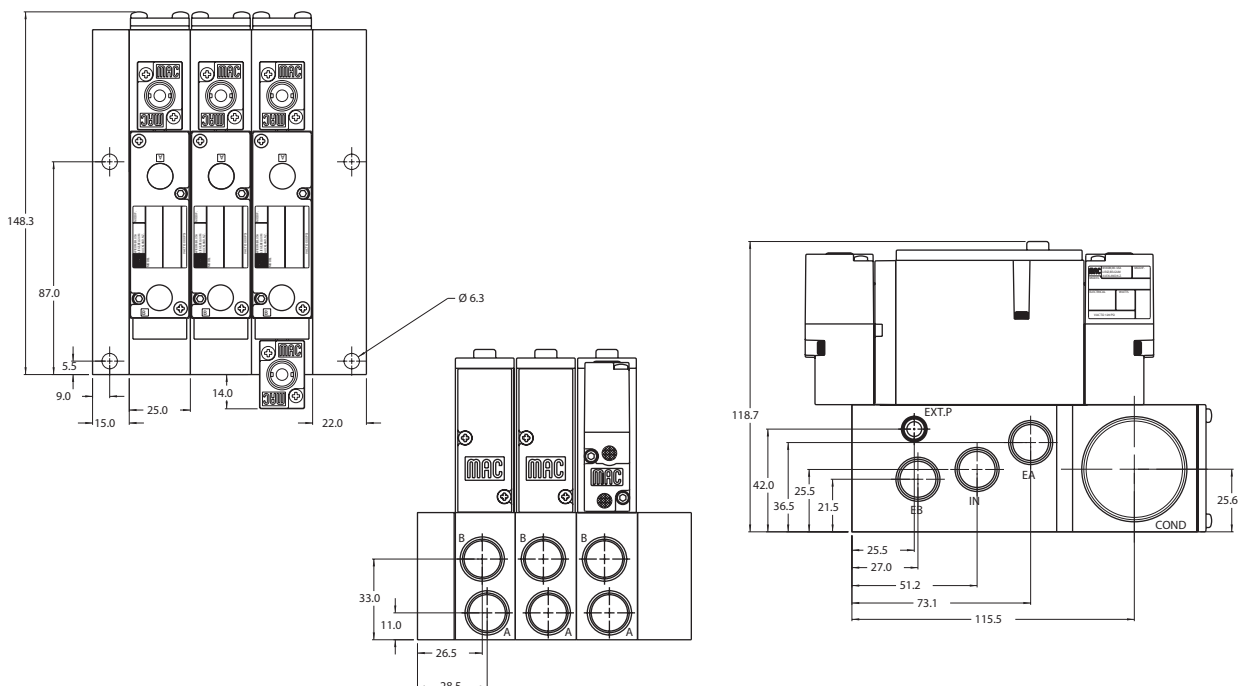
|                     |  |
|---------------------|--|
| Fluid :             | Compressed air, vacuum, inert gases  |
| Pressure range :    | Internal pilot : 20 to 120 PSI      3 position : 35 to 120 PSI<br>External pilot : vacuum to 120 PSI      3 position : 35 to 120 PSI |
| Lubrication :       | Not required, if used select a medium aniline point lubricant (between 180°F and 210°F)  |
| Filtration :        | 40 µ   |
| Temperature range : | 0°F to 120°F (-18°C to +50°C)  |
| Flow :              | 1/4": (1.1 C <sub>v</sub> ) – 3/8": (1.2 C <sub>v</sub> )  |
| Coil :              | Class A continuous duty, #22 AWG x 12 base leads   |
| Voltage range :     | -15% to +10% of nominal voltage  |
| Protection :        | Consult factory  |
| Power :             | ~Inrush 7.6 VA      Holding : 4.8 VA<br>= 1.8 to 12.7 W  |
| Response times :    | 24V=/5.4W      Energize : 8 ms      De-energize : 7 ms<br>120/60      Energize : 7-13 ms      De-energize : 12-20 ms                 |

Options : • BSPP threads • Sandwich flow controls: FC92B-AA (sgl. operator), FC92B-BA (dbl. operator)

Spare parts : • Pilot valve: DM-DxxP-xxx • Valve blanking plate: M-92002 • Pressure seal, valve to base: 16543  
• Mounting screws valve to base (x2): 35050 • Inlet/Exhaust isolator disc: N-92018.

**DIMENSIONS**

Dimensions shown are metric (mm)



|  |            |
|--|------------|
| <b>OPTIONS FOR NON PLUG-IN VALVES</b>  | <b>33</b>  |
| <b>Valve function</b>  | <b>34</b>  |
| 92B- <b>HXX-XXX-XX-Dxxx-xxx</b>  | <b>36</b>  |
| <ul style="list-style-type: none"> <li><b>H</b> for 3 position dual pressure, pressure center*</li> <li><b>J</b> for 3 position dual pressure, closed center*</li> <li><b>K</b> for 3 position dual pressure, open center*</li> <li><b>L</b> for single operator, single pressure with memory spring</li> <li><b>N</b> for single operator, dual pressure with memory spring*</li> </ul> | <b>32</b>  |
| <b>Pilot exhaust</b>   | <b>37</b>  |
| 92B- <b>XBX-XXX-XX-Dxxx-xxx</b>  | <b>38</b>  |
| <ul style="list-style-type: none"> <li><b>B</b> standard pilot exhaust</li> <li><b>D</b> pilot exhaust to main valve exhaust**</li> </ul>  | <b>52</b>  |
| <b>Port configuration :</b>  | <b>67</b>  |
| <b>Individual sub-base</b>   | <b>69</b>  |
| 92B- <b>XXX-AX-XX-Dxxx-xxx</b>   | <b>44</b>  |
| <ul style="list-style-type: none"> <li><b>A</b> side ports</li> <li><b>B</b> bottom ports (1/8" only)</li> <li><b>C</b> side &amp; bottom ports (1/8" only)</li> <li><b>D</b> side inlet &amp; exhaust with bottom cylinder ports (1/8")</li> </ul>  | <b>46</b>  |
| <b>Manifold sub-base</b>   | <b>42</b>  |
| 92B- <b>XXX-XJX-XX-Dxxx-xxx</b>  | <b>47</b>  |
| <ul style="list-style-type: none"> <li><b>J</b> side ports</li> <li><b>K</b> bottom ports</li> </ul>   | <b>48P</b> |
| <b>Pilot style :</b>   | <b>48</b>  |
| 92B- <b>XXX-XXX-DM-Dxxx-xxx</b>  | <b>400</b> |
| <ul style="list-style-type: none"> <li><b>DM</b> pilot exhaust muffled</li> <li><b>DP</b> pilot exhaust piped (#10-32)</li> <li><b>DU</b> pilot exhaust to main exhaust</li> </ul>   | <b>92</b>  |
| <b>Base only :</b>   |            |
| 92B-000-XXX (i.e. 92B-000-AAG) - Individual base   |            |
| 92B-000-XXX (i.e. 92B-000-BJG) - Manifold base   |            |

\* Requires sandwich regulator.

\*\* Must use DU pilot. Main valve exhaust cannot be restricted.



# Direct solenoid and solenoid pilot operated valves

## OPTIONS FOR PLUG-IN VALVES

### Valve function

92B-**HXX**-XXX-XX-D**xxP**-XXX

- H** for 3 position dual pressure, pressure center\*
- J** for 3 position dual pressure, closed center\*
- K** for 3 position dual pressure, open center\*
- L** for single operator, single pressure with memory spring
- N** for single operator, dual pressure with memory spring\*

### Pilot exhaust

92B-**XA**X-XXX-XX-D**xxP**-XXX

- A** standard pilot exhaust
- C** pilot exhaust to main valve exhaust\*\*

### Body electrical

92B-**XA**-XXX-XX-D**xxP**-XXX

- A** no light
- B** light(s)
- F** suppression and blocking diode with light(s)
- H** M.O.V. with light(s)

### Port configuration :

#### Individual sub-base

92B-XXX-**XA**X-XX-D**xxP**-XXX

- A** side ports
- B** bottom ports (1/8" only)
- C** side & bottom ports (1/8" only)
- D** side inlet & exhaust with bottom cylinder ports (1/8")

#### Manifold sub-base

92B-XXX-**XJ**X-XX-D**xxP**-XXX

- J** side ports
- K** bottom ports

#### Individual & Manifold sub-base Int. pilot

92B-XXX-**XA**-XX-D**xxP**-XXX

- A** internal pilot no light
- B** internal pilot single light
- C** internal pilot double light

#### Individual sub-base Ext. pilot

92B-XXX-**XD**-XX-D**xxP**-XXX

- D** external pilot no light
- E** external pilot single light
- F** external pilot double light

### Pilot style :

92B-XXX-XXX-**DM**-D**xxP**-XXX

- DM** pilot exhaust muffled
- DP** pilot exhaust piped (#10-32)
- DU** pilot exhaust to main exhaust

### Lead Wire Lengths : (manifold sub-base only)

92B-XXX-XXX-**DM**-D**xxP**-XXX

- P** 12" leads
- 1** 18" leads
- 2** 24" leads
- 3** 36" leads
- 4** 48" leads
- 5** 72" leads

### Base only :

92B-000-XXX (i.e. 92B-000-AAA) - Individual base

(Note: bases are wired for double solenoid valves)

92B-000-XXX (i.e. 92B-000-BJA) - Manifold base

\* Requires sandwich regulator.

\*\* Must use DU pilot. Main valve exhaust cannot be restricted.

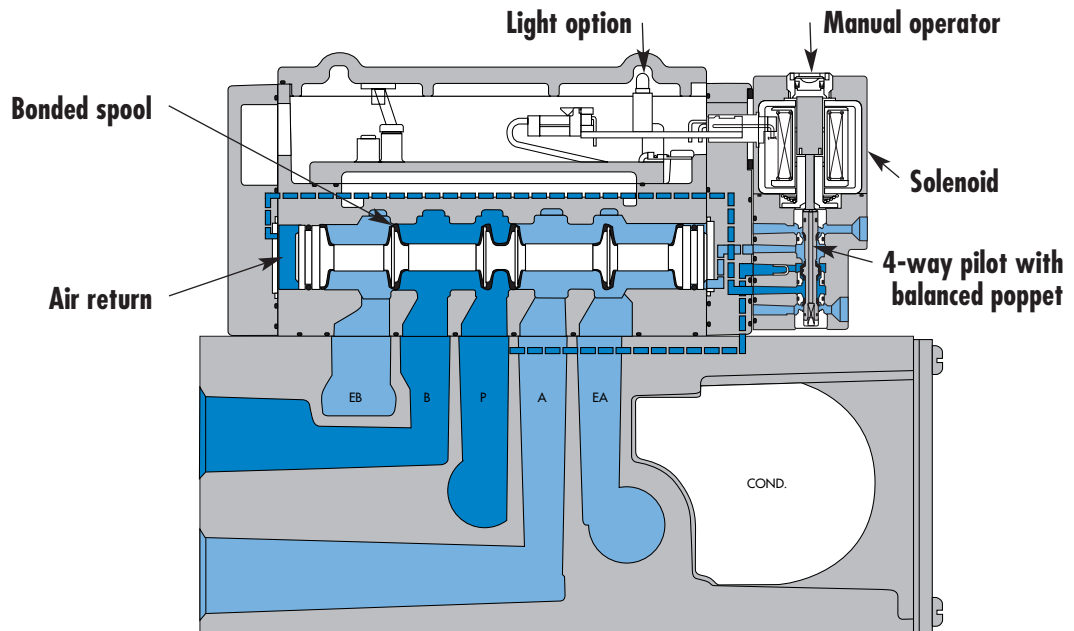
Individual mounting

|        |                        |                    |
|--------|------------------------|--------------------|
| Inline | Sub-base non "plug-in" | Sub-base "plug-in" |
|--------|------------------------|--------------------|

Series

Manifold mounting

|                        |                    |
|------------------------|--------------------|
| Sub-base non "plug-in" | Sub-base "plug-in" |
|------------------------|--------------------|



33

34

36

32

37

38

52

67

69

44

46

42

47

48P

48

48

48

48

400

92

**SERIES FEATURES**

- Patented MACSOLENOID® for fastest possible response times and virtually burn-out proof AC solenoid operation.
- Optional low watt DC solenoids.
- Optional memory spring.
- Plug-in design of valves and bases for ease of maintenance.
- 2 position or 3 position valve configurations.

93

ISO 01

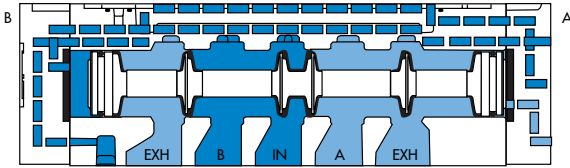
ISO 02

ISO 1

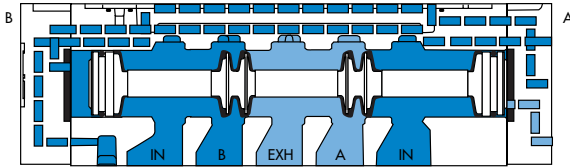
ISO 2

ISO 3

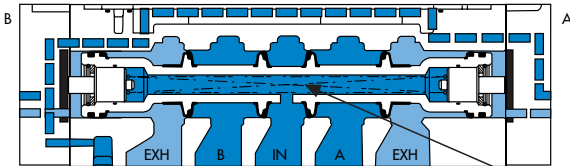
**SPOOL CONFIGURATIONS**



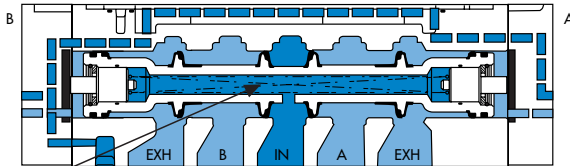
2 POSITION SINGLE PRESSURE  
SHOWN WITH "B" OPERATOR ENERGIZED



2 POSITION DUAL PRESSURE  
SHOWN WITH "B" OPERATOR ENERGIZED

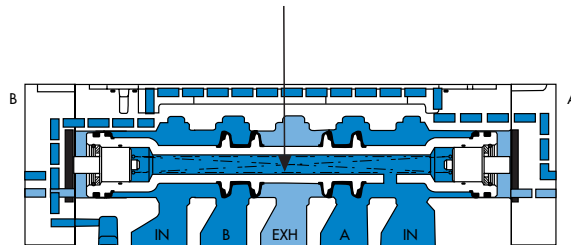


3 POSITION CLOSED CENTER



3 POSITION OPEN CENTER

**SPRING CENTERING**



3 POSITION DUAL PRESSURE, PRESSURE CENTER

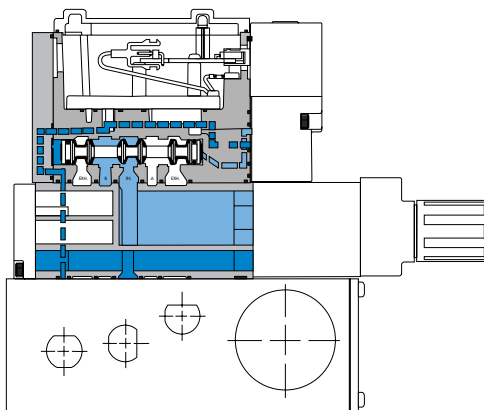
**REGULATOR CONFIGURATIONS**

**SINGLE REGULATOR - SINGLE PRESSURE**

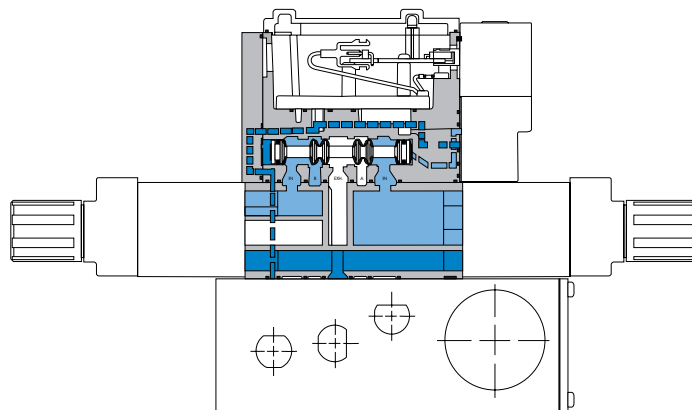
Pressure supplied to the individual or manifold base passes through the regulator. Regulated pressure is supplied to the pressure path of the valve.

**DUAL REGULATOR - DUAL PRESSURE**

Pressure supplied from each regulator is divided in the block. Regulated pressure from "A" regulator supplies cylinder port "A". Regulated pressure from "B" regulator supplies cylinder port "B". Dual pressure regulators require dual pressure spool in valve.



**MANIFOLD WITH REGULATOR - SINGLE PRESSURE**



**MANIFOLD WITH REGULATOR - DUAL PRESSURE**

**Note:** For both single and dual pressure, air supply to the pilot system is never regulated.



# Direct solenoid and solenoid pilot operated valves

| Function        | Port size          | Flow [Max]               | Individual mounting | Series |
|-----------------|--------------------|--------------------------|---------------------|--------|
| <b>5/2, 5/3</b> | <b>3/8" - 1/2"</b> | <b>3.8 C<sub>v</sub></b> | Inline              |        |

### OPERATIONAL BENEFITS

1. Unique patented Macsolenoid® for fastest possible response times and virtually burn-out proof solenoid operation.
2. Balanced poppet 4-way pilot valve provides maximum shifting forces, precise repeatability and consistent operation.
3. Air only return. Optional memory spring is also available.
4. Optional low wattage DC solenoid down to 1 watt.
5. MAC spool and bore combination wipes away contamination, eliminates sticking and allows for use on non-lube service.

### HOW TO ORDER

#### SINGLE PRESSURE MODELS

| Port size        | Pilot air | 5/2 Single operator     | 5/2 Double operator     | 5/3 Closed center       | 5/3 Open center         |
|------------------|-----------|-------------------------|-------------------------|-------------------------|-------------------------|
|                  |           |                         |                         |                         |                         |
| <b>3/8" NPTF</b> | Internal  | 93A-AJ0-BOJ-DM-Dxxx-xxx | 93A-BJ0-BOJ-DM-Dxxx-xxx | 93A-EJ0-BOJ-DM-Dxxx-xxx | 93A-FJ0-BOJ-DM-Dxxx-xxx |
| <b>1/2" NPTF</b> | Internal  | 93A-AJ0-COJ-DM-Dxxx-xxx | 93A-BJ0-COJ-DM-Dxxx-xxx | 93A-EJ0-COJ-DM-Dxxx-xxx | 93A-FJ0-COJ-DM-Dxxx-xxx |
| <b>3/8" NPTF</b> | External  | 93A-AJ0-BOK-DM-Dxxx-xxx | 93A-BJ0-BOK-DM-Dxxx-xxx | 93A-EJ0-BOK-DM-Dxxx-xxx | 93A-FJ0-BOK-DM-Dxxx-xxx |
| <b>1/2" NPTF</b> | External  | 93A-AJ0-COK-DM-Dxxx-xxx | 93A-BJ0-COK-DM-Dxxx-xxx | 93A-EJ0-COK-DM-Dxxx-xxx | 93A-FJ0-COK-DM-Dxxx-xxx |

#### DUAL PRESSURE MODELS

| Port size        | Pilot air | 5/2 Single operator     | 5/2 Double operator     | 5/3 Pressure center     |
|------------------|-----------|-------------------------|-------------------------|-------------------------|
|                  |           |                         |                         |                         |
| <b>3/8" NPTF</b> | Internal  | 93A-CJ0-BOJ-DM-Dxxx-xxx | 93A-DJ0-BOJ-DM-Dxxx-xxx | 93A-HJ0-BOJ-DM-Dxxx-xxx |
| <b>1/2" NPTF</b> | Internal  | 93A-CJ0-COJ-DM-Dxxx-xxx | 93A-DJ0-COJ-DM-Dxxx-xxx | 93A-HJ0-COJ-DM-Dxxx-xxx |
| <b>3/8" NPTF</b> | External  | 93A-CJ0-BOK-DM-Dxxx-xxx | 93A-DJ0-BOK-DM-Dxxx-xxx | 93A-HJ0-BOK-DM-Dxxx-xxx |
| <b>1/2" NPTF</b> | External  | 93A-CJ0-COK-DM-Dxxx-xxx | 93A-DJ0-COK-DM-Dxxx-xxx | 93A-HJ0-COK-DM-Dxxx-xxx |

#### SOLENOID OPERATOR >

### DM-D **XXX-XXX**\*

| XX Voltage               | X Wire length               | X Manual operator             | XX Electrical connection                   |
|--------------------------|-----------------------------|-------------------------------|--|
| <b>JA</b> 110/50, 120/60 | <b>A</b> 18" (Flying leads) | <b>1</b> Non-locking recessed | <b>KA</b> Square connector                 |
| <b>JB</b> 220/50, 240/60 | <b>B</b> 24" (Flying leads) | <b>2</b> Locking recessed     | <b>KD</b> Square connector with light      |
| <b>JC</b> 24/50, 24/60   | <b>J</b> Connector          |                               | <b>JB</b> Rectangular connector            |
| <b>FB</b> 24 VDC (1.8W)  |                             |                               | <b>JD</b> Rectangular connector with light |
| <b>DA</b> 24 VDC (5.4W)  |                             |                               | <b>BA</b> Flying leads                     |
| <b>DF</b> 24 VDC (12.7W) |                             |                               |  |

\* Other options available, see page 309.

### OPTIONS

Pilot exhaust : **93A-XJX-XXX-DM-Dxxx-xxx**

- J** Standard pilot exhaust
- K** Pilot exhaust to main exhaust (use DU pilot)

Other options available for the 93 series valves, see page 169.



- 33
- 34
- 36
- 32
- 37
- 38
- 52
- 67
- 69
- 44
- 46
- 42
- 47
- 48P
- 48
- 400
- 92
- 93
- ISO 01
- ISO 02
- ISO 1
- ISO 2
- ISO 3



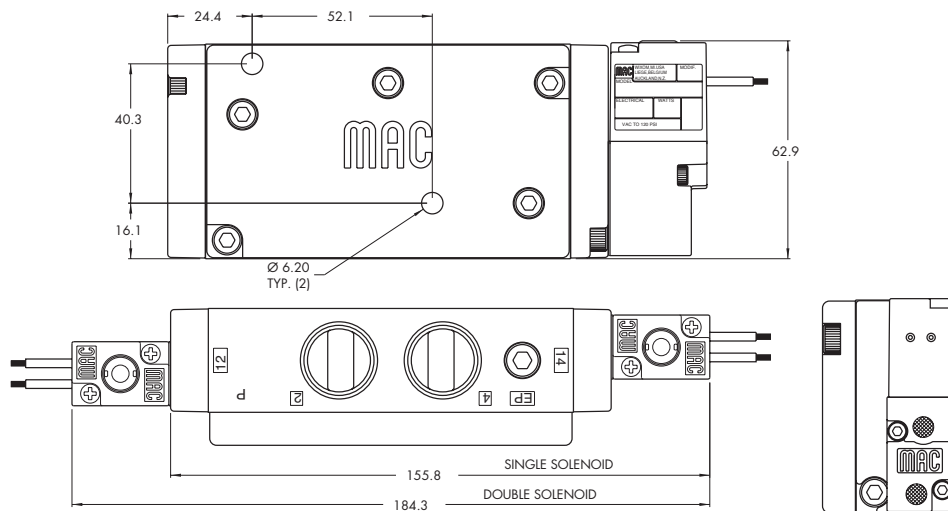
**TECHNICAL DATA**

|   |   |
|---|---|
| <b>Fluid :</b>                                | Compressed air, vacuum, inert gases   |
| <b>Pressure range :</b>                       | Internal Pilot: 20 to 120 PSI<br>External Pilot: Vacuum to 120 PSI                      |
| <b>Lubrication :</b>                          | Not required, if used select a medium aniline point lubricant (between 180°F and 210°F) |
| <b>Filtration :</b>                           | 40 µ  |
| <b>Temperature range :</b>                    | 0°F to 120°F (-18°C to +50°C)   |
| <b>Flow :</b>                                 | 3.8 C <sub>v</sub>  |
| <b>Coil :</b>                                 | Class A continuous duty, #22 AWG x 18 leads   |
| <b>Voltage range :</b>                        | -15% to +10% of nominal voltage   |
| <b>Protection :</b>                           | Consult factory   |
| <b>Power :</b>                                | ~ Inrush 7.6 VA    Holding: 4.8 VA<br>= 1.8 to 12.7 W                                   |
| <b>Response times :<br/>(with 5.4 W coil)</b> | Energize : 13 ms<br>De-energize : 10 ms   |

Option :                    • BSPP threads

**DIMENSIONS**

Dimensions shown are metric (mm)



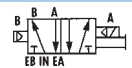
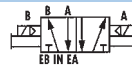
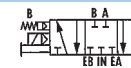
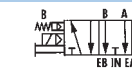
| Function        | Port size                 | Flow [Max]               | Individual mounting    | Series |
|-----------------|---------------------------|--------------------------|------------------------|--------|
| <b>5/2, 5/3</b> | <b>1/4" - 3/8" - 1/2"</b> | <b>3.4 C<sub>v</sub></b> | Sub-base non "plug-in" |        |

### OPERATIONAL BENEFITS

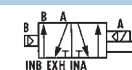
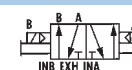
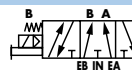
1. Unique patented Macsolenoid® for fastest possible response times and virtually burn-out proof solenoid operation.
2. Balanced poppet 4-way pilot valve provides maximum shifting forces, precise repeatability and consistent operation.
3. Air only return. Optional memory spring is also available.
4. Optional low wattage DC solenoid down to 1 watt.
5. MAC spool and bore combination wipes away contamination, eliminates sticking and allows for use on non-lube service.

### HOW TO ORDER

SINGLE PRESSURE MODELS (1/4" MODELS ARE BOTTOM PORTED)

| Port size              | Pilot air | 5/2 Single operator   | 5/2 Double operator   | 5/3 Closed center  | 5/3 Open center   |
|------------------------|-----------|---|---|--|---|
|                        |           |  |  |  |  |
| <b>Valve less base</b> |           | 93A-ABA-000-DM-Dxxx-xxx   | 93A-BBA-000-DM-Dxxx-xxx   | 93A-EBA-000-DM-Dxxx-xxx  | 93A-FBA-000-DM-Dxxx-xxx   |
| <b>1/4" NPTF</b>       |           | 93A-ABA-ABG-DM-Dxxx-xxx   | 93A-BBA-ABG-DM-Dxxx-xxx   | 93A-EBA-ABG-DM-Dxxx-xxx  | 93A-FBA-ABG-DM-Dxxx-xxx   |
| <b>3/8" NPTF</b>       | Internal  | 93A-ABA-BAG-DM-Dxxx-xxx   | 93A-BBA-BAG-DM-Dxxx-xxx   | 93A-EBA-BAG-DM-Dxxx-xxx  | 93A-FBA-BAG-DM-Dxxx-xxx   |
| <b>1/2" NPTF</b>       |           | 93A-ABA-CAG-DM-Dxxx-xxx   | 93A-BBA-CAG-DM-Dxxx-xxx   | 93A-EBA-CAG-DM-Dxxx-xxx  | 93A-FBA-CAG-DM-Dxxx-xxx   |
| <b>1/4" NPTF</b>       |           | 93A-ABA-ABH-DM-Dxxx-xxx   | 93A-BBA-ABH-DM-Dxxx-xxx   | 93A-EBA-ABH-DM-Dxxx-xxx  | 93A-FBA-ABH-DM-Dxxx-xxx   |
| <b>3/8" NPTF</b>       | External  | 93A-ABA-BAH-DM-Dxxx-xxx   | 93A-BBA-BAH-DM-Dxxx-xxx   | 93A-EBA-BAH-DM-Dxxx-xxx  | 93A-FBA-BAH-DM-Dxxx-xxx   |
| <b>1/2" NPTF</b>       |           | 93A-ABA-CAH-DM-Dxxx-xxx   | 93A-BBA-CAH-DM-Dxxx-xxx   | 93A-EBA-CAH-DM-Dxxx-xxx  | 93A-FBA-CAH-DM-Dxxx-xxx   |

DUAL PRESSURE MODELS REQUIRE SANDWICH REGULATOR, SEE „REGULATORS“ SECTION (1/4" MODELS ARE BOTTOM PORTED)

| Port size              | Pilot air | 5/2 Single operator   | 5/2 Double operator  | 5/3 Pressure center   |
|------------------------|-----------|---|--|---|
|                        |           |  |  |  |
| <b>Valve less base</b> |           | 93A-CBA-000-DM-Dxxx-xxx   | 93A-DBA-000-DM-Dxxx-xxx  | 93A-HBA-000-DM-Dxxx-xxx   |
| <b>1/4" NPTF</b>       |           | 93A-CBA-ABG-DM-Dxxx-xxx   | 93A-DBA-ABG-DM-Dxxx-xxx  | 93A-HBA-ABG-DM-Dxxx-xxx   |
| <b>3/8" NPTF</b>       | Internal  | 93A-CBA-BAG-DM-Dxxx-xxx   | 93A-DBA-BAG-DM-Dxxx-xxx  | 93A-HBA-BAG-DM-Dxxx-xxx   |
| <b>1/2" NPTF</b>       |           | 93A-CBA-CAG-DM-Dxxx-xxx   | 93A-DBA-CAG-DM-Dxxx-xxx  | 93A-HBA-CAG-DM-Dxxx-xxx   |
| <b>1/4" NPTF</b>       |           | 93A-CBA-ABH-DM-Dxxx-xxx   | 93A-DBA-ABH-DM-Dxxx-xxx  | 93A-HBA-ABH-DM-Dxxx-xxx   |
| <b>3/8" NPTF</b>       | External  | 93A-CBA-BAH-DM-Dxxx-xxx   | 93A-DBA-BAH-DM-Dxxx-xxx  | 93A-HBA-BAH-DM-Dxxx-xxx   |
| <b>1/2" NPTF</b>       |           | 93A-CBA-CAH-DM-Dxxx-xxx   | 93A-DBA-CAH-DM-Dxxx-xxx  | 93A-HBA-CAH-DM-Dxxx-xxx   |

SOLENOID OPERATOR ►

DM-D **XXX-XXX\***

| XX Voltage               | X Wire length               | X Manual operator             | XX Electrical connection                   |
|--------------------------|-----------------------------|-------------------------------|--|
| <b>JA</b> 110/50, 120/60 | <b>A</b> 18" (Flying leads) | <b>1</b> Non-locking recessed | <b>BM</b> Flying leads                     |
| <b>JB</b> 220/50, 240/60 | <b>B</b> 24" (Flying leads) | <b>2</b> Locking recessed     | <b>BN</b> Flying leads with diode          |
| <b>JC</b> 24/50, 24/60   | <b>J</b> Connector          |                               | <b>BP</b> Flying leads with M.O.V.         |
| <b>FB</b> 24 VDC (1.8W)  |                             |                               | <b>BG</b> Flying leads with ground         |
| <b>DA</b> 24 VDC (5.4W)  |                             |                               | <b>JB</b> Rectangular connector            |
| <b>DF</b> 24 VDC (12.7W) |                             |                               | <b>JD</b> Rectangular connector with light |

\* Other options available, see page 309.

Other options available for the 93 series valves, see page 169.

33  
34  
36  
32  
37  
38  
52  
67  
69  
44  
46  
42  
47  
48P  
48  
400  
92  
93  
ISO 01  
ISO 02  
ISO 1  
ISO 2  
ISO 3



**TECHNICAL DATA**

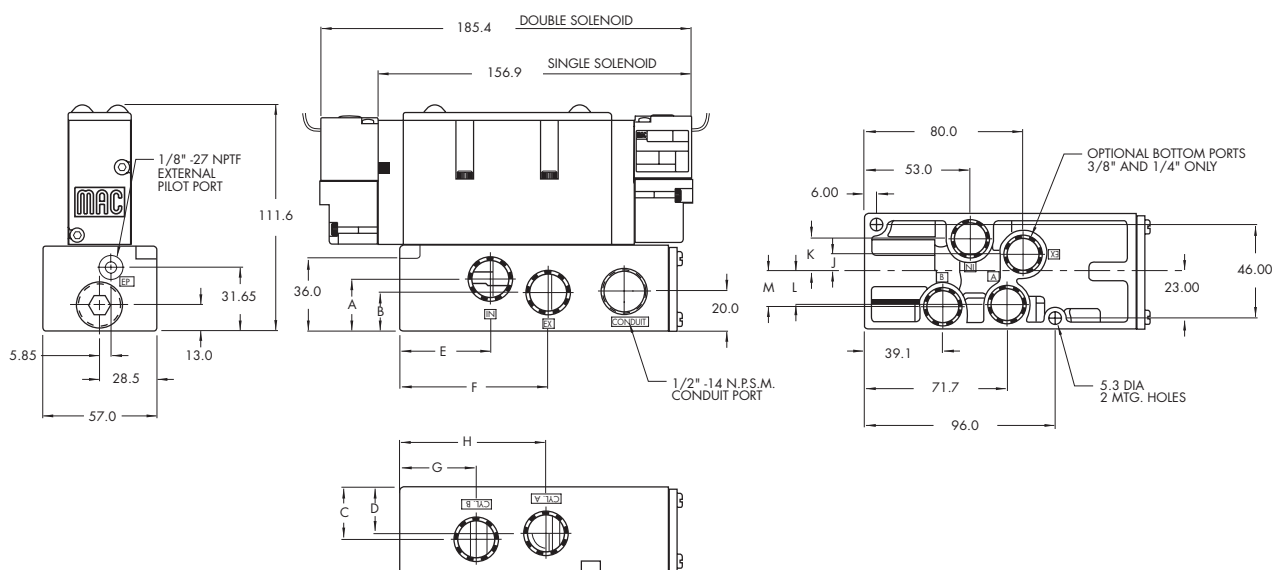
|   |   |
|---|---|
| <b>Fluid :</b>                                | Compressed air, vacuum, inert gases   |
| <b>Pressure range :</b>                       | Internal Pilot: 20 to 120 PSI<br>External Pilot: Vacuum to 120 PSI                      |
| <b>Lubrication :</b>                          | Not required, if used select a medium aniline point lubricant (between 180°F and 210°F) |
| <b>Filtration :</b>                           | 40 µ  |
| <b>Temperature range :</b>                    | 0°F to 120°F (-18°C to +50°C)   |
| <b>Flow :</b>                                 | 1/4", 3/8" : (3.0 C <sub>v</sub> ) - 1/2" : (3.4 C <sub>v</sub> )                       |
| <b>Coil :</b>                                 | Class A continuous duty, #22 AWG x 18 leads   |
| <b>Voltage range :</b>                        | -15% to +10% of nominal voltage   |
| <b>Protection :</b>                           | Consult factory   |
| <b>Power :</b>                                | ~ Inrush 7.6 VA    Holding: 4.8 VA<br>= 1 to 12.7 W                                     |
| <b>Response times :<br/>(with 5.4 W coil)</b> | Energize : 13 ms<br>De-energize : 10 ms   |

- Options :
- BSPP thread • Sandwich regulator (see ,regulators' section)
  - Sandwich flow controls    FC93A-BA (screwdriver slot adjustment)  
  FC93A-BB (locking knob adjustment)

- Spare parts :
- Pilot valve: DM-Dxxx-xxx • Valve to base pressure seal: 16622
  - Pilot valve pressure seal: 16542 • Mounting screws valve to base (x4): 35249
  - Pilot valve mounting screws (x2): 35069

**DIMENSIONS**

Dimensions shown are metric (mm)



| DIM. | A     | B     | C     | D     | E    | F    | G    | H    | DIM. | J   | K    | L    | M    |
|------|-------|-------|-------|-------|------|------|------|------|------|-----|------|------|------|
| 3/8" | 27.15 | 20.65 | 27.15 | 24.15 | 54.1 | 81.7 | 38.2 | 73.5 | 1/4" | 7.0 | 14.7 | 15.0 | 16.5 |
| 1/2" | 25.5  | 19.0  | 25.5  | 22.5  | 45.8 | 75.3 | 38.2 | 73.5 | 3/8" | 8.5 | 16.2 | 16.5 | 17.5 |

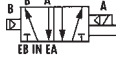


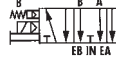
| Function        | Port size                 | Flow [Max]               | Individual mounting | Series |
|-----------------|---------------------------|--------------------------|---------------------|--------|
| <b>5/2, 5/3</b> | <b>1/4" - 3/8" - 1/2"</b> | <b>3.4 C<sub>v</sub></b> | Sub-base "plug-in"  |        |

### OPERATIONAL BENEFITS



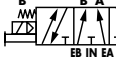
1. Unique patented Macsolenoid® for fastest possible response times and virtually burn-out proof solenoid operation.
2. Balanced poppet 4-way pilot valve provides maximum shifting forces, precise repeatability and consistent operation.
3. Air only return. Optional memory spring is also available.
4. Optional low wattage DC solenoid down to 1 watt.
5. MAC spool and bore combination wipes away contamination, eliminates sticking and allows for use on non-lube service.

### HOW TO ORDER

SINGLE PRESSURE MODELS (1/4" MODELS ARE BOTTOM PORTED)

| Port size              | Pilot air | 5/2 Single operator   | 5/2 Double operator   | 5/3 Closed center  | 5/3 Open center   |
|------------------------|-----------|---|---|--|---|
|                        |           |  |  |  |  |
| <b>Valve less base</b> |           | 93A-AAA-000-DM-DxxP-xxx   | 93A-BAA-000-DM-DxxP-xxx   | 93A-EAA-000-DM-DxxP-xxx  | 93A-FAA-000-DM-DxxP-xxx   |
| <b>1/4" NPTF</b>       |           | 93A-AAA-ABA-DM-DxxP-xxx   | 93A-BAA-ABA-DM-DxxP-xxx   | 93A-EAA-ABA-DM-DxxP-xxx  | 93A-FAA-ABA-DM-DxxP-xxx   |
| <b>3/8" NPTF</b>       | Internal  | 93A-AAA-BAA-DM-DxxP-xxx   | 93A-BAA-BAA-DM-DxxP-xxx   | 93A-EAA-BAA-DM-DxxP-xxx  | 93A-FAA-BAA-DM-DxxP-xxx   |
| <b>1/2" NPTF</b>       |           | 93A-AAA-CAA-DM-DxxP-xxx   | 93A-BAA-CAA-DM-DxxP-xxx   | 93A-EAA-CAA-DM-DxxP-xxx  | 93A-FAA-CAA-DM-DxxP-xxx   |
| <b>1/4" NPTF</b>       |           | 93A-AAA-ABD-DM-DxxP-xxx   | 93A-BAA-ABD-DM-DxxP-xxx   | 93A-EAA-ABD-DM-DxxP-xxx  | 93A-FAA-ABD-DM-DxxP-xxx   |
| <b>3/8" NPTF</b>       | External  | 93A-AAA-BAD-DM-DxxP-xxx   | 93A-BAA-BAD-DM-DxxP-xxx   | 93A-EAA-BAD-DM-DxxP-xxx  | 93A-FAA-BAD-DM-DxxP-xxx   |
| <b>1/2" NPTF</b>       |           | 93A-AAA-CAD-DM-DxxP-xxx   | 93A-BAA-CAD-DM-DxxP-xxx   | 93A-EAA-CAD-DM-DxxP-xxx  | 93A-FAA-CAD-DM-DxxP-xxx   |

DUAL PRESSURE MODELS REQUIRE SANDWICH REGULATOR, SEE „REGULATORS“ SECTION (1/4" MODELS ARE BOTTOM PORTED)

| Port size              | Pilot air | 5/2 Single operator   | 5/2 Double operator  | 5/3 Pressure Center   |
|------------------------|-----------|---|--|---|
|                        |           |  |  |  |
| <b>Valve less base</b> |           | 93A-CAA-000-DM-DxxP-xxx   | 93A-DAA-000-DM-DxxP-xxx  | 93A-HAA-000-DM-DxxP-xxx   |
| <b>1/4" NPTF</b>       |           | 93A-CAA-ABA-DM-DxxP-xxx   | 93A-DAA-ABA-DM-DxxP-xxx  | 93A-HAA-ABA-DM-DxxP-xxx   |
| <b>3/8" NPTF</b>       | Internal  | 93A-CAA-BAA-DM-DxxP-xxx   | 93A-DAA-BAA-DM-DxxP-xxx  | 93A-HAA-BAA-DM-DxxP-xxx   |
| <b>1/2" NPTF</b>       |           | 93A-CAA-CAA-DM-DxxP-xxx   | 93A-DAA-CAA-DM-DxxP-xxx  | 93A-HAA-CAA-DM-DxxP-xxx   |
| <b>1/4" NPTF</b>       |           | 93A-CAA-ABD-DM-DxxP-xxx   | 93A-DAA-ABD-DM-DxxP-xxx  | 93A-HAA-ABD-DM-DxxP-xxx   |
| <b>3/8" NPTF</b>       | External  | 93A-CAA-BAD-DM-DxxP-xxx   | 93A-DAA-BAD-DM-DxxP-xxx  | 93A-HAA-BAD-DM-DxxP-xxx   |
| <b>1/2" NPTF</b>       |           | 93A-CAA-CAD-DM-DxxP-xxx   | 93A-DAA-CAD-DM-DxxP-xxx  | 93A-HAA-CAD-DM-DxxP-xxx   |

### SOLENOID OPERATOR >

DM-D **XX** P-**XXX**\*

Above models are shown without light.

| XX Voltage                      | X Manual operator             | XX Electrical connection      |
|---------------------------------|-------------------------------|-------------------------------|
| <b>JA</b> 110/50, 120/60 (2.9W) | <b>1</b> Non-locking recessed | <b>DM</b> Plug-in             |
| <b>JB</b> 220/50, 240/60 (2.9W) | <b>2</b> Locking recessed     | <b>DN</b> Plug-in with diode  |
| <b>JC</b> 24/50, 24/60 (2.9W)   |                               | <b>DP</b> Plug-in with M.O.V. |
| <b>FB</b> 24 VDC (1.8W)         |                               | <b>DG</b> Plug-in with ground |
| <b>DA</b> 24 VDC (5.4W)         |                               |                               |
| <b>DF</b> 24 VDC (12.7W)        |                               |                               |

\* Other options available, see page 309.  
Note: Ground required for 30 Volts or higher.

Other options available for the 93 series valves, see page 170.

33  
34  
36  
32  
37  
38  
52  
67  
69  
44  
46  
42  
47  
48P  
48  
400  
92  
93  
ISO 01  
ISO 02  
ISO 1  
ISO 2  
ISO 3



**TECHNICAL DATA**

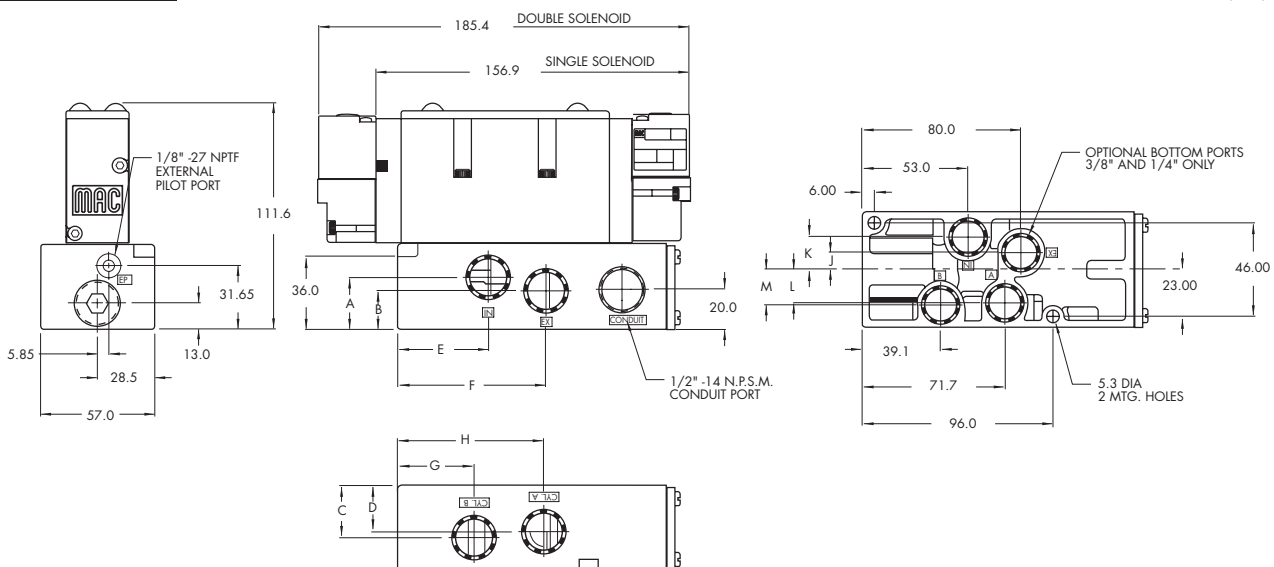
|   |   |
|---|---|
| <b>Fluid :</b>                                | Compressed air, vacuum, inert gases   |
| <b>Pressure range :</b>                       | Internal Pilot: 20 to 120 PSI<br>External Pilot: Vacuum to 120 PSI                      |
| <b>Lubrication :</b>                          | Not required, if used select a medium aniline point lubricant (between 180°F and 210°F) |
| <b>Filtration :</b>                           | 40 µ  |
| <b>Temperature range :</b>                    | 0°F to 120°F (-18°C to +50°C)   |
| <b>Flow :</b>                                 | 1/4", 3/8" : (3.0 C <sub>v</sub> ) - 1/2" : (3.4 C <sub>v</sub> )                       |
| <b>Coil :</b>                                 | Class A continuous duty, #22 AWG x 18 base leads  |
| <b>Voltage range :</b>                        | -15% to +10% of nominal voltage   |
| <b>Protection :</b>                           | Consult factory   |
| <b>Power :</b>                                | ~ Inrush 7.6 VA    Holding: 4.8 VA<br>= 1 to 12.7 W                                     |
| <b>Response times :<br/>(with 5.4 W coil)</b> | Energize : 13 ms<br>De-energize : 10 ms   |

- Options :
- BSPP thread • Sandwich regulator (see ,regulators' section)
  - Sandwich flow controls    FC93A-AA (screwdriver slot adjustment)  
  FC93A-AB (locking knob adjustment)

- Spare parts :
- Pilot valve: DM-DxxP-xxx • Valve to base pressure seal: 16622
  - Pilot valve pressure seal: 16542 • Mounting screws valve to base (x4): 35249
  - Pilot valve mounting screws (x2): 35069

**DIMENSIONS**

Dimensions shown are metric (mm)



| DIM. | A     | B     | C     | D     | E    | F    | G    | H    | DIM. | J   | K    | L    | M    |
|------|-------|-------|-------|-------|------|------|------|------|------|-----|------|------|------|
| 3/8" | 27.15 | 20.65 | 27.15 | 24.15 | 54.1 | 81.7 | 38.2 | 73.5 | 1/4" | 7.0 | 14.7 | 15.0 | 16.5 |
| 1/2" | 25.5  | 19.0  | 25.5  | 22.5  | 45.8 | 75.3 | 38.2 | 73.5 | 3/8" | 8.5 | 16.2 | 16.5 | 17.5 |



# Direct solenoid and solenoid pilot operated valves

| Function        | Port size          | Flow [Max]               | Manifold mounting      | Series |
|-----------------|--------------------|--------------------------|------------------------|--------|
| <b>5/2, 5/3</b> | <b>3/8" - 1/2"</b> | <b>3.8 C<sub>v</sub></b> | Sub-base non "plug-in" |        |

### OPERATIONAL BENEFITS

1. Unique patented Macsolenoid® for fastest possible response times and virtually burn-out proof solenoid operation.
2. Balanced poppet 4-way pilot valve provides maximum shifting forces, precise repeatability and consistent operation.
3. Air only return. Optional memory spring is also available.
4. Optional low wattage DC solenoid down to 1 watt.
5. MAC spool and bore combination wipes away contamination, eliminates sticking and allows for use on non-lube service.

### HOW TO ORDER

#### SINGLE PRESSURE MODELS

| Port size              | Pilot air | 5/2 Single operator     | 5/2 Double operator     | 5/3 Closed center       | 5/3 Open center         |
|------------------------|-----------|-------------------------|-------------------------|-------------------------|-------------------------|
|                        |           |                         |                         |                         |                         |
| <b>Valve less base</b> |           | 93A-ABA-000-DM-Dxxx-xxx | 93A-BBA-000-DM-Dxxx-xxx | 93A-EBA-000-DM-Dxxx-xxx | 93A-FBA-000-DM-Dxxx-xxx |
| <b>3/8" NPTF</b>       | Internal  | 93A-ABA-BJG-DM-Dxxx-xxx | 93A-BBA-BJG-DM-Dxxx-xxx | 93A-EBA-BJG-DM-Dxxx-xxx | 93A-FBA-BJG-DM-Dxxx-xxx |
| <b>1/2" NPTF</b>       |           | 93A-ABA-CJG-DM-Dxxx-xxx | 93A-BBA-CJG-DM-Dxxx-xxx | 93A-EBA-CJG-DM-Dxxx-xxx | 93A-FBA-CJG-DM-Dxxx-xxx |
| <b>3/8" NPTF</b>       | External  | 93A-ABA-BJH-DM-Dxxx-xxx | 93A-BBA-BJH-DM-Dxxx-xxx | 93A-EBA-BJH-DM-Dxxx-xxx | 93A-FBA-BJH-DM-Dxxx-xxx |
| <b>1/2" NPTF</b>       |           | 93A-ABA-CJH-DM-Dxxx-xxx | 93A-BBA-CJH-DM-Dxxx-xxx | 93A-EBA-CJH-DM-Dxxx-xxx | 93A-FBA-CJH-DM-Dxxx-xxx |

#### DUAL PRESSURE MODELS (REQUIRE SANDWICH REGULATOR, SEE „REGULATORS“ SECTION)

| Port size              | Pilot air | 5/2 Single operator     | 5/2 Double operator     | 5/3 Pressure center     |
|------------------------|-----------|-------------------------|-------------------------|-------------------------|
|                        |           |                         |                         |                         |
| <b>Valve less base</b> |           | 93A-CBA-000-DM-Dxxx-xxx | 93A-DBA-000-DM-Dxxx-xxx | 93A-HBA-000-DM-Dxxx-xxx |
| <b>3/8" NPTF</b>       | Internal  | 93A-CBA-BJG-DM-Dxxx-xxx | 93A-DBA-BJG-DM-Dxxx-xxx | 93A-HBA-BJG-DM-Dxxx-xxx |
| <b>1/2" NPTF</b>       |           | 93A-CBA-CJG-DM-Dxxx-xxx | 93A-DBA-CJG-DM-Dxxx-xxx | 93A-HBA-CJG-DM-Dxxx-xxx |
| <b>3/8" NPTF</b>       | External  | 93A-CBA-BJH-DM-Dxxx-xxx | 93A-DBA-BJH-DM-Dxxx-xxx | 93A-HBA-BJH-DM-Dxxx-xxx |
| <b>1/2" NPTF</b>       |           | 93A-CBA-CJH-DM-Dxxx-xxx | 93A-DBA-CJH-DM-Dxxx-xxx | 93A-HBA-CJH-DM-Dxxx-xxx |

#### SOLENOID OPERATOR >

DM-D **XXX-XXX**\*

Above models are shown with side ports.

| XX Voltage               | X Wire length               | X Manual operator             | XX Electrical connection              |
|--------------------------|-----------------------------|-------------------------------|---------------------------------------|
| <b>JA</b> 110/50, 120/60 | <b>A</b> 18" (Flying leads) | <b>1</b> Non-locking recessed | <b>BM</b> Flying leads                |
| <b>JB</b> 220/50, 240/60 | <b>B</b> 24" (Flying leads) | <b>2</b> Locking recessed     | <b>BN</b> Flying leads with diode     |
| <b>JC</b> 24/50, 24/60   | <b>J</b> Connector          |                               | <b>KA</b> Square connector            |
| <b>FB</b> 24 VDC (1.8W)  |                             |                               | <b>KD</b> Square connector with light |
| <b>DA</b> 24 VDC (5.4W)  |                             |                               |                                       |
| <b>DF</b> 24 VDC (12.7W) |                             |                               |                                       |

\* Other options available, see page 309.

End plate kit required (1/2" ports): M-93001-01-01 internal pilot.  
M-93001-02-01 external pilot.

Other options available for the 93 series valves, see page 169.

- 33
- 34
- 36
- 32
- 37
- 38
- 52
- 67
- 69
- 44
- 46
- 42
- 47
- 48P
- 48
- 400
- 92
- 93
- ISO 01
- ISO 02
- ISO 1
- ISO 2
- ISO 3

**TECHNICAL DATA**

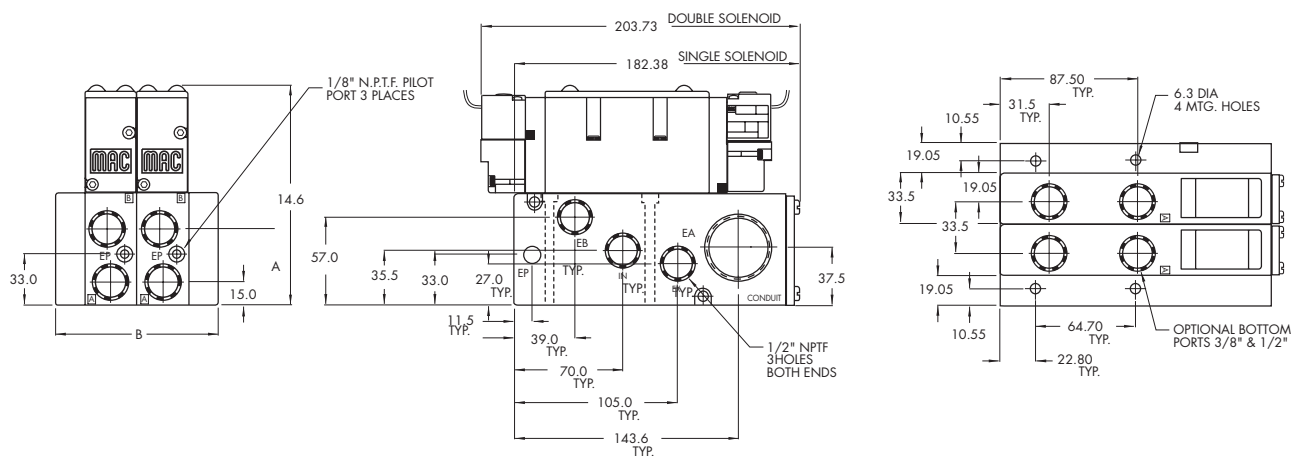
|   |   |
|---|---|
| <b>Fluid :</b>                                | Compressed air, vacuum, inert gases   |
| <b>Pressure range :</b>                       | Internal Pilot: 20 to 120 PSI<br>External Pilot: Vacuum to 120 PSI                      |
| <b>Lubrication :</b>                          | Not required, if used select a medium aniline point lubricant (between 180°F and 210°F) |
| <b>Filtration :</b>                           | 40 µ  |
| <b>Temperature range :</b>                    | 0°F to 120°F (-18°C to +50°C)   |
| <b>Flow :</b>                                 | 3/8" : (3.4 C <sub>v</sub> ) - 1/2" : (3.8 C <sub>v</sub> )                             |
| <b>Coil :</b>                                 | Class A continuous duty, #22 AWG x 18 leads   |
| <b>Voltage range :</b>                        | -15% to +10% of nominal voltage   |
| <b>Protection :</b>                           | Consult factory   |
| <b>Power :</b>                                | ~ Inrush 7.6 VA    Holding: 4.8 VA<br>= 1 to 12.7 W                                     |
| <b>Response times :<br/>(with 5.4 W coil)</b> | Energize : 13 ms<br>De-energize : 10 ms   |

- Options :
- BSPP thread • Sandwich regulator (see „regulators“ section)
  - Sandwich flow controls FC93A-BA (screwdriver slot adjustment), FC93A-BB (locking knob adjustment)

- Spare parts :
- Pilot valve: DM-Dxxx-xxx • Valve to base pressure seal: 16622
  - Pilot valve pressure seal: 16542 • Mounting screws valve to base (x4): 35249
  - Inlet/exh. Isolator disc: N-93008 • Valve blanking plate: M-93002

**DIMENSIONS**

Dimensions shown are metric (mm)



| #        | 1    | 2     | 3     | 4     | 5     | 6     | 7     | 8     | 9     | 10    |
|----------|------|-------|-------|-------|-------|-------|-------|-------|-------|-------|
| <b>B</b> | 71.6 | 105.1 | 138.6 | 172.1 | 205.6 | 239.1 | 272.6 | 306.1 | 339.6 | 373.1 |

| DIM. | A     |
|------|-------|
| 3/8" | 47.66 |
| 1/2" | 49.32 |



# Direct solenoid and solenoid pilot operated valves

| Function        | Port size          | Flow [Max]               | Manifold mounting  | Series |
|-----------------|--------------------|--------------------------|--------------------|--------|
| <b>5/2, 5/3</b> | <b>3/8" - 1/2"</b> | <b>3.8 C<sub>v</sub></b> | Sub-base "plug-in" |        |

### OPERATIONAL BENEFITS

1. Unique patented Macsolenoid® for fastest possible response times and virtually burn-out proof solenoid operation.
2. Balanced poppet 4-way pilot valve provides maximum shifting forces, precise repeatability and consistent operation.
3. Air only return. Optional memory spring is also available.
4. Optional low wattage DC solenoid down to 1 watt.
5. MAC spool and bore combination wipes away contamination, eliminates sticking and allows for use on non-lube service.

### HOW TO ORDER

#### SINGLE PRESSURE MODELS

| Port size              | Pilot air | 5/2 Single operator     | 5/2 Double operator     | 5/3 Closed center       | 5/3 Open center         |
|------------------------|-----------|-------------------------|-------------------------|-------------------------|-------------------------|
|                        |           |                         |                         |                         |                         |
| <b>Valve less base</b> |           | 93A-AAA-000-DM-DxxP-xxx | 93A-BAA-000-DM-DxxP-xxx | 93A-EAA-000-DM-DxxP-xxx | 93A-FAA-000-DM-DxxP-xxx |
| <b>3/8" NPTF</b>       | Internal  | 93A-AAA-BJA-DM-DxxP-xxx | 93A-BAA-BJA-DM-DxxP-xxx | 93A-EAA-BJA-DM-DxxP-xxx | 93A-FAA-BJA-DM-DxxP-xxx |
| <b>1/2" NPTF</b>       |           | 93A-AAA-CJA-DM-DxxP-xxx | 93A-BAA-CJA-DM-DxxP-xxx | 93A-EAA-CJA-DM-DxxP-xxx | 93A-FAA-CJA-DM-DxxP-xxx |
| <b>3/8" NPTF</b>       | External  | 93A-AAA-BJD-DM-DxxP-xxx | 93A-BAA-BJD-DM-DxxP-xxx | 93A-EAA-BJD-DM-DxxP-xxx | 93A-FAA-BJD-DM-DxxP-xxx |
| <b>1/2" NPTF</b>       |           | 93A-AAA-CJD-DM-DxxP-xxx | 93A-BAA-CJD-DM-DxxP-xxx | 93A-EAA-CJD-DM-DxxP-xxx | 93A-FAA-CJD-DM-DxxP-xxx |

#### DUAL PRESSURE MODELS (REQUIRE SANDWICH REGULATOR, SEE "REGULATORS" SECTION)

| Port size              | Pilot air | 5/2 Single operator     | 5/2 Double operator     | 5/3 Pressure Center     |
|------------------------|-----------|-------------------------|-------------------------|-------------------------|
|                        |           |                         |                         |                         |
| <b>Valve less base</b> |           | 93A-CAA-000-DM-DxxP-xxx | 93A-DAA-000-DM-DxxP-xxx | 93A-HAA-000-DM-DxxP-xxx |
| <b>3/8" NPTF</b>       | Internal  | 93A-CAA-BJA-DM-DxxP-xxx | 93A-DAA-BJA-DM-DxxP-xxx | 93A-HAA-BJA-DM-DxxP-xxx |
| <b>1/2" NPTF</b>       |           | 93A-CAA-CJA-DM-DxxP-xxx | 93A-DAA-CJA-DM-DxxP-xxx | 93A-HAA-CJA-DM-DxxP-xxx |
| <b>3/8" NPTF</b>       | External  | 93A-CAA-BJD-DM-DxxP-xxx | 93A-DAA-BJD-DM-DxxP-xxx | 93A-HAA-BJD-DM-DxxP-xxx |
| <b>1/2" NPTF</b>       |           | 93A-CAA-CJD-DM-DxxP-xxx | 93A-DAA-CJD-DM-DxxP-xxx | 93A-HAA-CJD-DM-DxxP-xxx |

Above model numbers are shown with side ports without light.

#### SOLENOID OPERATOR ▶

### DM-D XX P-XXX\*

| XX Voltage                      | X Manual operator             | XX Electrical connection      |
|---------------------------------|-------------------------------|-------------------------------|
| <b>JA</b> 110/50, 120/60 (2.9W) | <b>1</b> Non-locking recessed | <b>DM</b> Plug-in             |
| <b>JB</b> 220/50, 240/60 (2.9W) | <b>2</b> Locking recessed     | <b>DN</b> Plug-in with diode  |
| <b>JC</b> 24/50, 24/60 (2.9W)   |                               | <b>DP</b> Plug-in with M.O.V. |
| <b>FB</b> 24 VDC (1.8W)         |                               | <b>DG</b> Plug-in with ground |
| <b>DA</b> 24 VDC (5.4W)         |                               |                               |
| <b>DF</b> 24 VDC (12.7W)        |                               |                               |

\* Other options available, see page 309.  
End plate required (1/2" ports): M-93001-01-01 Internal pilot.  
M-93001-02-01 External pilot.

Other options available for the 93 series valves, see page 170.



- 33
- 34
- 36
- 32
- 37
- 38
- 52
- 67
- 69
- 44
- 46
- 42
- 47
- 48P
- 48
- 400
- 92
- 93
- ISO 01
- ISO 02
- ISO 1
- ISO 2
- ISO 3



**TECHNICAL DATA**

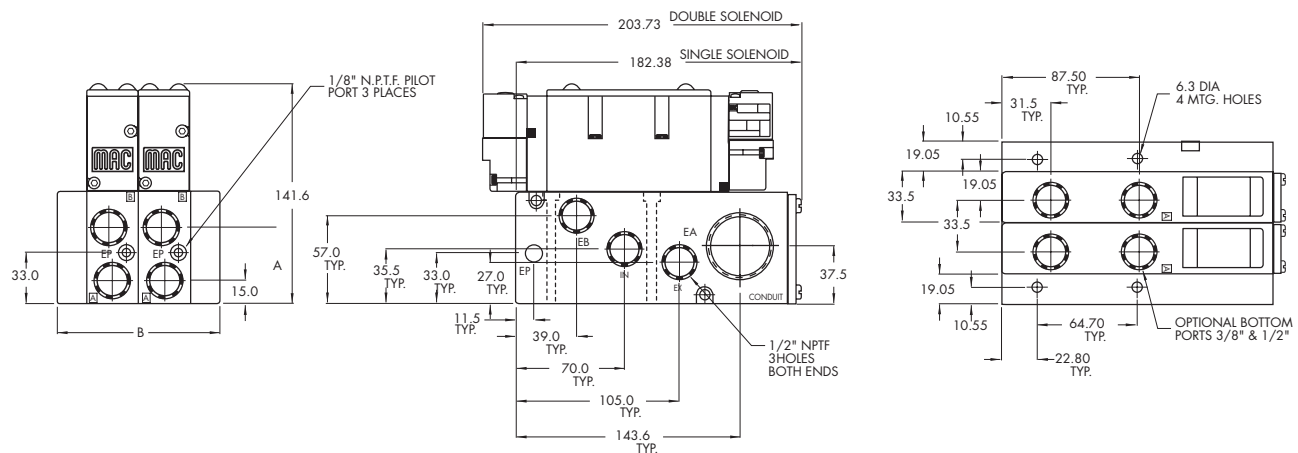
|  |   |
|--|---|
| <b>Fluid :</b>                               | Compressed air, vacuum, inert gases   |
| <b>Pressure range :</b>                      | Internal Pilot: 20 to 120 PSI<br>External Pilot: Vacuum to 120 PSI                      |
| <b>Lubrication :</b>                         | Not required, if used select a medium aniline point lubricant (between 180°F and 210°F) |
| <b>Filtration :</b>                          | 40 µ  |
| <b>Temperature range :</b>                   | 0°F to 120°F (-18°C to +50°C)   |
| <b>Flow :</b>                                | 3/8" : (3.4 C <sub>v</sub> ) - 1/2" : (3.8 C <sub>v</sub> )                             |
| <b>Coil :</b>                                | Class A continuous duty, #22 AWG x 18 base leads  |
| <b>Voltage range :</b>                       | -15% to +10% of nominal voltage   |
| <b>Protection :</b>                          | Consult factory   |
| <b>Power :</b>                               | ~ Inrush 7.6 VA    Holding: 4.8 VA<br>= 1 to 12.7 W                                     |
| <b>Response times :</b><br>(with 5.4 W coil) | Energize : 13 ms<br>De-energize : 10 ms   |

- Options :
- BSPP thread • Sandwich regulator (see „regulators“ section)
  - Sandwich flow controls FC93A-AA (screwdriver slot adjustment), FC93A-AB (locking knob adjustment)

- Spare parts :
- Pilot valve: DM-DxxP-xxx • Valve to base pressure seal: 16622
  - Pilot valve pressure seal: 16542 • Mounting screws valve to base (x4): 35249
  - Inlet/exh. Isolator disc: N-93008 • Valve blanking plate: M-93002

**DIMENSIONS**

Dimensions shown are metric (mm)



| #        | 1    | 2     | 3     | 4     | 5     | 6     | 7     | 8     | 9     | 10    |
|----------|------|-------|-------|-------|-------|-------|-------|-------|-------|-------|
| <b>B</b> | 71.6 | 105.1 | 138.6 | 172.1 | 205.6 | 239.1 | 272.6 | 306.1 | 339.6 | 373.1 |

| DIM.        | A     |
|-------------|-------|
| <b>3/8"</b> | 47.66 |
| <b>1/2"</b> | 49.32 |

|  |            |
|--|------------|
| <b>OPTIONS FOR NON PLUG-IN AND INLINE VALVES</b>   | <b>33</b>  |
| <b>Valve function</b>  | <b>34</b>  |
| 93A-LXX-XXX-XX-DXXX-XXX  | <b>36</b>  |
| <ul style="list-style-type: none"> <li><b>L</b> for single operator, single pressure with memory spring</li> <li><b>N</b> for single operator, dual pressure with memory spring</li> <li><b>R</b> for single operator universal spool (ext. pilot only)</li> <li><b>S</b> for double operator universal spool (ext. pilot only)</li> </ul> | <b>32</b>  |
| <b>Pilot exhaust</b>   | <b>37</b>  |
| 93A-XXB-XXX-XX-DXXX-XXX  | <b>38</b>  |
| <ul style="list-style-type: none"> <li><b>B</b> standard pilot exhaust</li> <li><b>D</b> pilot exhaust to main valve exhaust*</li> </ul>   | <b>52</b>  |
| <b>Port configuration :</b>  | <b>67</b>  |
| <b>Individual sub-base</b>   | <b>69</b>  |
| 93A-XXX-XXA-XX-DXXX-XXX  | <b>44</b>  |
| <ul style="list-style-type: none"> <li><b>A</b> side ports (3/8" &amp; 1/2" only)</li> <li><b>B</b> bottom ports (1/4" &amp; 3/8" only)</li> <li><b>C</b> side &amp; bottom ports (1/4" &amp; 3/8" only)</li> <li><b>D</b> side inlet &amp; exhaust with bottom cylinder ports (1/4" &amp; 3/8" only)</li> </ul>                           | <b>46</b>  |
| <b>Manifold sub-base</b>   | <b>42</b>  |
| 93A-XXX-XJX-XX-DXXX-XXX  | <b>47</b>  |
| <ul style="list-style-type: none"> <li><b>J</b> side ports</li> <li><b>K</b> bottom ports</li> </ul>   | <b>48P</b> |
| <b>Pilot style :</b>   | <b>48</b>  |
| 93A-XXX-XXX-DM-DXXX-XXX  | <b>400</b> |
| <ul style="list-style-type: none"> <li><b>DM</b> pilot exhaust muffled</li> <li><b>DP</b> pilot exhaust piped (#10-32)</li> <li><b>DU</b> pilot exhaust to main exhaust</li> </ul>   | <b>92</b>  |
| <b>Base only :</b>   |            |
| 93A-000-XXX (i.e. 93A-000-BAG) - Individual base   |            |
| 93A-000-XXX (i.e. 93A-000-BJG) - Manifold base   |            |

\* Must use DU pilot. Main valve exhaust cannot be restricted.



# Direct solenoid and solenoid pilot oper

## OPTIONS FOR PLUG-IN VALVES

### Valve function

93A- LXX-XXX-XX-D xx P-xxx

- L for single operator, single pressure with memory spring
- N for single operator, dual pressure with memory spring
- R for single operator universal spool (ext. pilot only)
- S for double operator universal spool (ext. pilot only)

### Pilot exhaust

93A-X A X-XXX-XX-D xx P-xxx

- A standard pilot exhaust
- C pilot exhaust to main valve exhaust\*

### Body electrical

93A-XXA-XXX-XX-D xx P-xxx

- A no light
- B light(s)

### Port configuration :

#### Individual sub-base

93A-XXX-X A X-XX-D xx P-xxx

- A side ports (3/8" & 1/2" only)
- B bottom ports (1/4" & 3/8" only)
- C side & bottom ports (1/4" & 3/8" only)
- D side inlet & exhaust with bottom cylinder ports (1/4" & 3/8" only)

#### Manifold sub-base

93A-XXX-X JX-XX-D xx P-xxx

- J side ports
- K bottom ports

### Base/manifold int./ext. pilot

93A-XXX-XX A -XX-D xx P-xxx

- A internal pilot no light
- B internal pilot single light
- C internal pilot double light
- D external pilot no light
- E external pilot single light
- F external pilot double light

### Pilot style :

93A-XXX-XXX- DM -Dxx P-xxx

- DM pilot exhaust muffled
- DP pilot exhaust piped (#10-32)
- DU pilot exhaust to main exhaust

### Base only :

93A-000-XXX (i.e. 93A-000-BAA) - Individual base  
(Note: bases are wired for double solenoid valves)

93A-000-XXX (i.e. 93A-000-BJA) - Manifold base

\* Must use DU pilot. Main valve exhaust cannot be restricted.

Individual mounting

Valve only -  
 No base  
 non "plug-in"  
 Conform to  
 ISO 15407/1

Series

Manifold mounting

Valve only -  
 No base  
 non "plug-in"  
 Conform to  
 ISO 15407/1

33

34

36

32

37

38

52

67

69

44

46

42

47

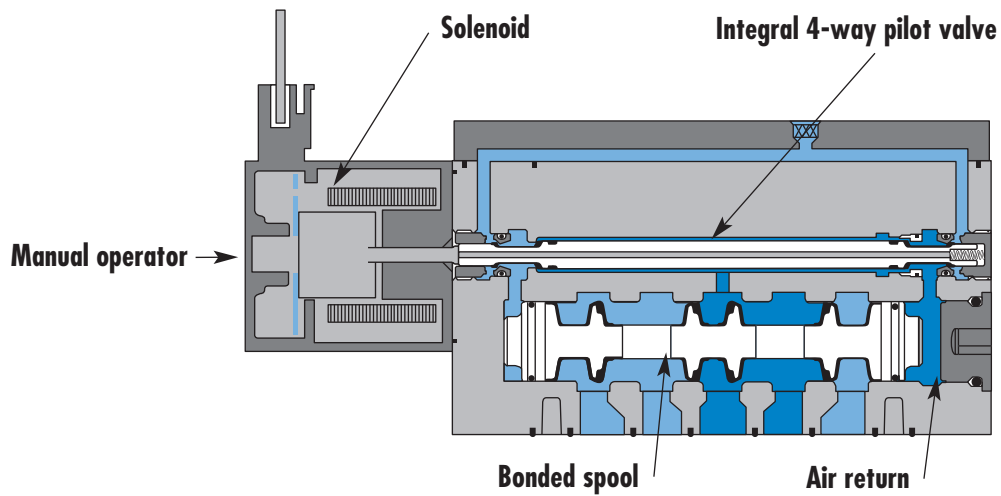
48P

48

400

92

93



**SERIES FEATURES**

- High force MACSOLENOID®.
- Integral 4-way pilot design.
- 2-position, single or double operator.
- 3-position, double solenoid, open center, closed center and pressure center.
- Internal or external pilot.
- Single or dual pressure.

**ISO 01**

**ISO 02**

**ISO 1**

**ISO 2**

**ISO 3**

| Function        | Port size   | Flow [Max]               | Individual/Manifold mounting                              | Series |
|-----------------|-------------|--------------------------|---|--------|
| <b>5/2, 5/3</b> | <b>1/4"</b> | <b>1.0 C<sub>v</sub></b> | Valve only - No base non "plug-in" Conform to ISO 15407/1 |        |

### OPERATIONAL BENEFITS

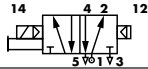
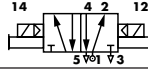
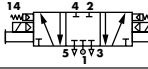
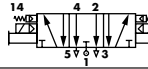
1. Unique patented MACsolenoid® with oval shaped armature for fastest possible response times.
2. Balanced poppet 4-way pilot valve provides maximum shifting forces, precise repeatability and consistent operation.
3. MAC spool and bore combination wipes away contamination, eliminates sticking and allows for use on non-lube service.
4. Large spool area for maximum shifting forces even at minimum operating pressure.
5. Very high flow in a compact package. Pilot valve and main valve in the same body.
6. Internal or external pilot operation.
7. Air only return
8. Optional low wattage DC solenoid down to 1.0 Watt.



33  
34  
36  
32  
37  
38  
52  
67  
69  
44

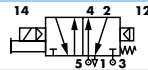
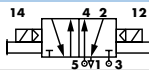
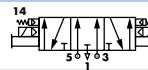
### HOW TO ORDER

#### SINGLE PRESSURE MODELS

| Pilot air         | 5/2 Single operator  | 5/2 Double operator  | 5/3 Closed center   | 5/3 Open center  |
|-------------------|--|--|---|--|
| Internal          | <br>MV-A01A-AAMA-Jxxx-xxx | <br>MV-A01A-ABMA-Jxxx-xxx | <br>MV-A01A-AEMA-Jxxx-xxx | <br>MV-A01A-AFMA-Jxxx-xxx |
| External "12" end | MV-A01A-AAMD-Jxxx-xxx  | MV-A01A-ABMD-Jxxx-xxx  | MV-A01A-AEMD-Jxxx-xxx   | MV-A01A-AFMD-Jxxx-xxx  |
| External "14" end | MV-A01A-AAME-Jxxx-xxx  | MV-A01A-ABME-Jxxx-xxx  | MV-A01A-AEME-Jxxx-xxx   | MV-A01A-AFME-Jxxx-xxx  |

46  
42  
47  
48P

#### DUAL PRESSURE MODELS

| Pilot air              | 5/2 Single operator  | 5/2 Double operator   | 5/3 Pressure center  |
|------------------------|--|---|--|
| Internal from port #3  | <br>MV-A01A-ACMB-Jxxx-xxx | <br>MV-A01A-ADMB-Jxxx-xxx | <br>MV-A01A-AHMB-Jxxx-xxx |
| Internal from port #5  | MV-A01A-ACMC-Jxxx-xxx  | MV-A01A-ADMC-Jxxx-xxx   | MV-A01A-AHMC-Jxxx-xxx  |
| External from "12" end | MV-A01A-ACMD-Jxxx-xxx  | MV-A01A-ADMD-Jxxx-xxx   | MV-A01A-AHMD-Jxxx-xxx  |
| External from "14" end | MV-A01A-ACME-Jxxx-xxx  | MV-A01A-ADME-Jxxx-xxx   | MV-A01A-AHME-Jxxx-xxx  |

48  
400  
92  
93

#### SOLENOID OPERATOR >

J **XXX-XXX\***

| XX Voltage       | X Lead wire length        | X Manual operator | XX Electrical connection            |
|------------------|---------------------------|-------------------|-------------------------------------|
| DA 24 VDC (5.4W) | O No lead wire/ connector | 1 Non-locking     | BA Flying leads                     |
| DB 12 VDC (5.4W) | A 18"                     | 2 Locking         | JA Square connector                 |
| DC 24 VDC (2.4W) | B 24"                     |                   | JC Square connector with light      |
| DD 12 VDC (2.4W) | C 36"                     |                   | JB Rectangular connector            |
| DE 24 VDC (1.8W) |                           |                   | JD Rectangular connector with light |
| DU 24 VDC (1.0W) |                           |                   | KA Mini square connector            |
|                  |                           |                   | KD Mini square connector with light |

ISO 01  
ISO 02  
ISO 1  
ISO 2  
ISO 3

\* Other options available, see page 317.

Note: - ISO series, valve and base are ordered separately, see page 227 for base codes.  
- If sandwich regulator is required, valve must be ordered as external pilot. For internal pilot regulator use valve with external pilot 12 end, - for external pilot regulator, use valve with external pilot 12 or 14 end.

### OPTIONS

Pilot exhaust: MV-A01A-XX X X-Jxxx-xxx

- M Pilot exhaust muffled
- P Pilot exhaust piped #10-32
- U Pilot exhaust out main exhaust

**TECHNICAL DATA**

|                            |   |
|----------------------------|---|
| <b>Fluid :</b>             | Compressed air, vacuum, inert gases   |
| <b>Pressure range :</b>    | Internal Pilot - 2 pos.: 20 to 120 PSI - 3 pos.: 35 to 120 PSI<br>External Pilot: Vacuum to 120 PSI |
| <b>Pilot pressure :</b>    | 2 pos.: 20 to 120 PSI - 3 pos.: 35 to 120 PSI   |
| <b>Lubrication :</b>       | Not required, if used select a medium aniline point lubricant (between 180°F and 210°F)             |
| <b>Filtration :</b>        | 40 µ  |
| <b>Temperature range :</b> | 0°F to 120°F (-18°C to +50°C)   |
| <b>Flow :</b>              | 2 pos.: Cv 1.0 – 3 pos.: Cv 0.8   |
| <b>Coil :</b>              | Class A wires continuous duty, #22 AWG x 18   |
| <b>Voltage range :</b>     | -15% to +10% of nominal voltage   |
| <b>Power :</b>             | 1,0 to 5,4 W  |

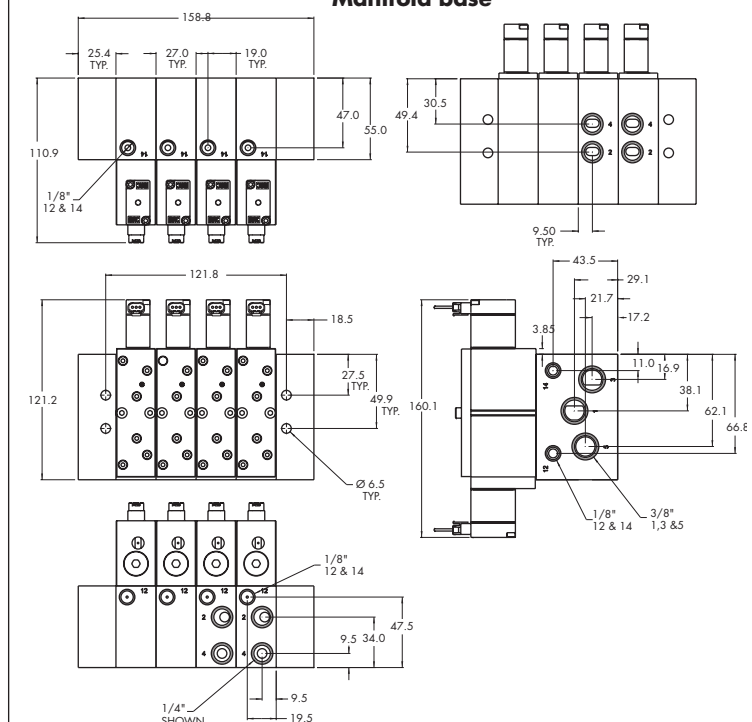
- Options :
- Sandwich flow controls: FCA01A-AA (screwdriver slot adjustment).
  - Sandwich pressure regulator, see ,Regulators' section

**DIMENSIONS**

**Individual base**

Dimensions shown are metric (mm)

**Manifold base**



Individual mounting

Valve only -  
 No base  
 non "plug-in"  
 Conform to  
 ISO 15407/1

Series

Manifold mounting

Valve only -  
 No base  
 non "plug-in"  
 Conform to  
 ISO 15407/1

33

34

36

32

37

38

52

67

69

44

46

42

47

48P

48

400

92

93

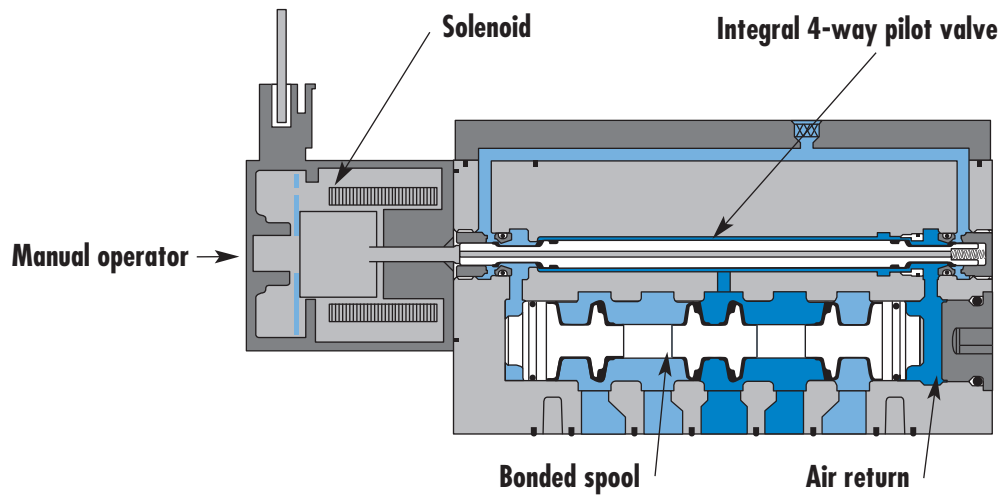
ISO 01

**ISO 02**

ISO 1

ISO 2

ISO 3



**SERIES FEATURES**

- High force MACSOLENOID®.
- Integral 4-way pilot design.
- 2-position, single or double operator.
- 3-position, double solenoid, open center, closed center and pressure center.
- Internal or external pilot.
- Single or dual pressure.

| Function        | Port size   | Flow [Max]                | Individual/Manifold mounting  | Series |
|-----------------|-------------|---------------------------|---|--------|
| <b>5/2, 5/3</b> | <b>1/8"</b> | <b>0.43 C<sub>v</sub></b> | Valve only -<br>No base<br>non "plug-in"<br>Conform to<br>ISO 15407/1 |        |

### OPERATIONAL BENEFITS

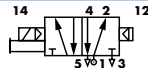
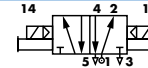
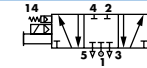
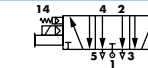
1. Unique patented MACsolenoid® with oval shaped armature for fastest possible response times.
2. Balanced poppet 4-way pilot valve provides maximum shifting forces, precise repeatability and consistent operation.
3. MAC spool and bore combination wipes away contamination, eliminates sticking and allows for use on non-lube service.
4. Large spool area for maximum shifting forces even at minimum operating pressure.
5. Very high flow in a compact package. Pilot valve and main valve in the same body.
6. Internal or external pilot operation.
7. Air only return
8. Optional low wattage DC solenoid down to 1.0 Watt.



33  
34  
36  
32  
37  
38  
52  
67  
69  
44

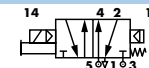
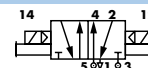
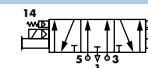
### HOW TO ORDER

#### SINGLE PRESSURE MODELS

| Pilot air         | 5/2<br>Single operator   | 5/2<br>Double operator   | 5/3<br>Closed center  | 5/3<br>Open center   |
|-------------------|--|--|---|--|
| Internal          | <br>MV-A02A-AAMA-Jxxx-xxx | <br>MV-A02A-ABMA-Jxxx-xxx | <br>MV-A02A-AEMA-Jxxx-xxx | <br>MV-A02A-AFMA-Jxxx-xxx |
| External "12" end | MV-A02A-AAMD-Jxxx-xxx  | MV-A02A-ABMD-Jxxx-xxx  | MV-A02A-AEMD-Jxxx-xxx   | MV-A02A-AFMD-Jxxx-xxx  |
| External "14" end | MV-A02A-AAME-Jxxx-xxx  | MV-A02A-ABME-Jxxx-xxx  | MV-A02A-AEME-Jxxx-xxx   | MV-A02A-AFME-Jxxx-xxx  |

46  
42  
47

#### DUAL PRESSURE MODELS

| Pilot air              | 5/2<br>Single operator   | 5/2<br>Double operator  | 5/3<br>Pressure center   |
|------------------------|--|---|--|
| Internal from port #3  | <br>MV-A02A-ACMB-Jxxx-xxx | <br>MV-A02A-ADMB-Jxxx-xxx | <br>MV-A02A-AHMB-Jxxx-xxx |
| Internal from port #5  | MV-A02A-ACMC-Jxxx-xxx  | MV-A02A-ADMC-Jxxx-xxx   | MV-A02A-AHMC-Jxxx-xxx  |
| External from "12" end | MV-A02A-ACMD-Jxxx-xxx  | MV-A02A-ADMD-Jxxx-xxx   | MV-A02A-AHMD-Jxxx-xxx  |
| External from "14" end | MV-A02A-ACME-Jxxx-xxx  | MV-A02A-ADME-Jxxx-xxx   | MV-A02A-AHME-Jxxx-xxx  |

48P  
48  
400  
92

#### SOLENOID OPERATOR >

**J XXX-XXX\***

| XX Voltage          | X Lead wire length               | X Manual operator    | XX Electrical connection                   |
|---------------------|----------------------------------|----------------------|--|
| <b>DA</b> 24V=/5,4W | <b>0</b> No lead wire/ connector | <b>1</b> Non-locking | <b>BA</b> Flying leads                     |
| <b>DB</b> 12V=/5,4W | <b>A</b> 45 cm                   | <b>2</b> Locking     | <b>JA</b> Square connector                 |
| <b>DC</b> 24V=/2,4W | <b>B</b> 60 cm                   |                      | <b>JC</b> Square connector with light      |
| <b>DD</b> 12V=/2,4W | <b>C</b> 90 cm                   |                      | <b>JB</b> Rectangular connector            |
| <b>DE</b> 24V=/1,8W |                                  |                      | <b>JD</b> Rectangular connector with light |
| <b>DU</b> 24V=/1,0W |                                  |                      | <b>KA</b> Mini square connector            |
|                     |                                  |                      | <b>KD</b> Mini square connector with light |

93  
ISO 01  
ISO 02  
ISO 1  
ISO 2  
ISO 3

\* Other options available, see page 317.

Note: - ISO series, valve and base are ordered separately, see page 229 for base codes.  
- If sandwich regulator is required, valve must be ordered as external pilot. For internal pilot regulator use valve with external pilot 12 end, - for external pilot regulator, use valve with external pilot 12 or 14 end.

### OPTIONS

Pilot exhaust: **MV-A02A-XX X X-Jxxx-xxx**

- M** Pilot exhaust muffled
- P** Pilot exhaust piped #10-32
- U** Pilot exhaust out main exhaust



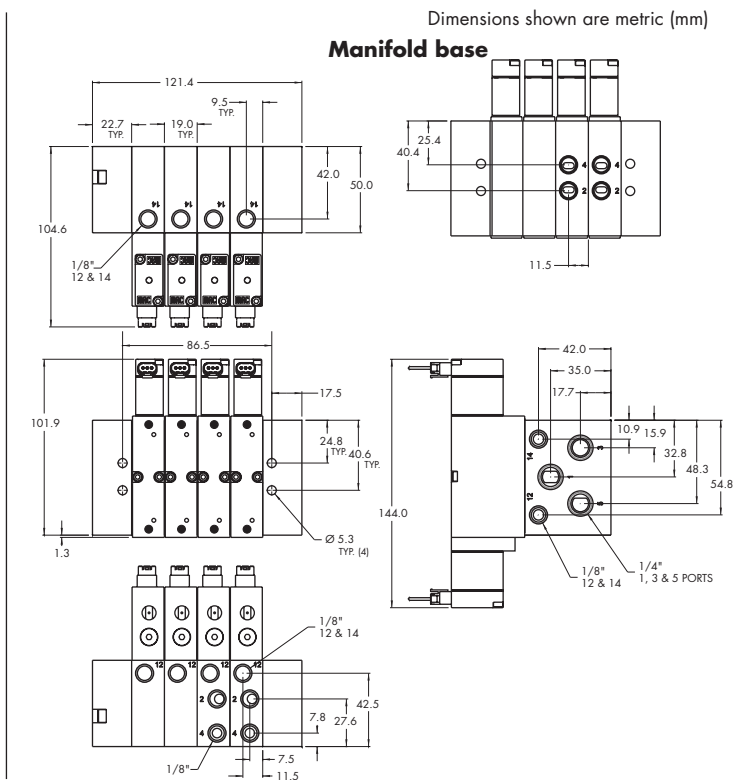
**TECHNICAL DATA**

|                            |   |
|----------------------------|---|
| <b>Fluid :</b>             | Compressed air, vacuum, inert gases   |
| <b>Pressure range :</b>    | Internal Pilot - 2 pos.: 20 to 120 PSI - 3 pos.: 35 to 120 PSI<br>External Pilot: Vacuum to 120 PSI |
| <b>Pilot pressure :</b>    | 2 pos.: 20 to 120 PSI - 3 pos.: 35 to 120 PSI   |
| <b>Lubrication :</b>       | Not required, if used select a medium aniline point lubricant (between 180°F and 210°F)             |
| <b>Filtration :</b>        | 40 µ  |
| <b>Temperature range :</b> | 0°F to 120°F (-18°C to +50°C)   |
| <b>Flow :</b>              | 2 pos.: Cv 0.43 – 3 pos.: Cv 0.28   |
| <b>Coil :</b>              | Class A wires continuous duty, #22 AWG x 18   |
| <b>Voltage range :</b>     | -15% to +10% of nominal voltage   |
| <b>Power :</b>             | 1,0 to 5,4 W  |

- Options :
- Sandwich flow controls: FCA02A-AA (screwdriver slot adjustment).
  - Sandwich pressure regulator, see 'Regulators' section

**DIMENSIONS**

**Individual base**



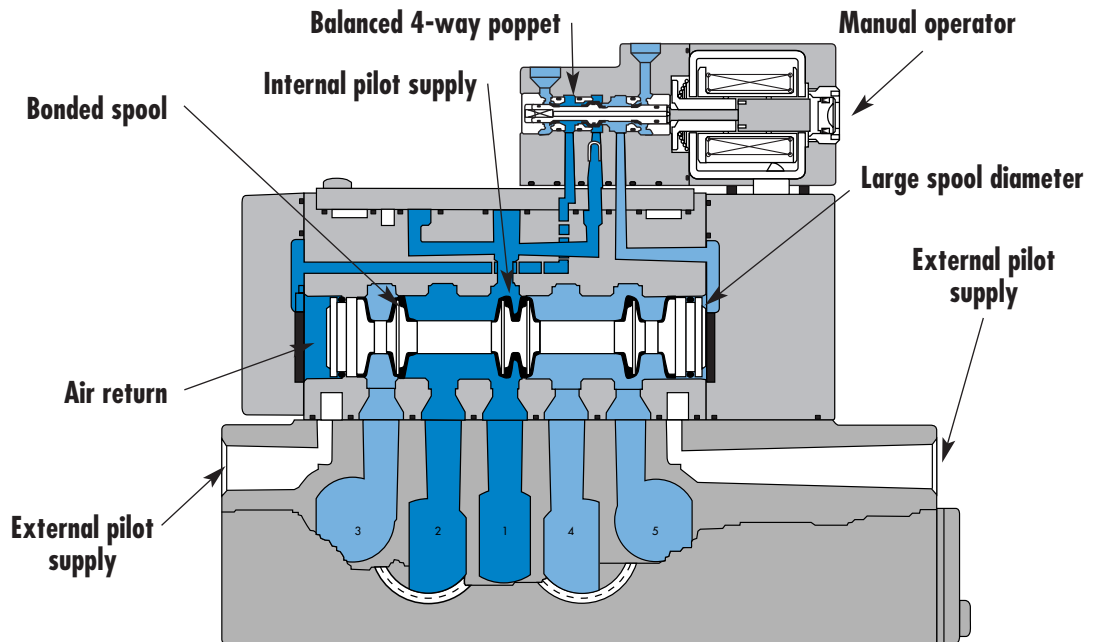
Individual mounting

|  |  |
|--|--|
| Valve only -<br>No base<br>non "plug-in"<br>Conform to<br>ISO 5599/1 | Valve only -<br>No base<br>"plug-in"<br>Conform to<br>ISO 5599/2 |
|--|--|

Series

Manifold mounting

|  |  |
|--|--|
| Valve only -<br>No base<br>non "plug-in"<br>Conform to<br>ISO 5599/1 | Valve only -<br>No base<br>"plug-in"<br>Conform to<br>ISO 5599/2 |
|--|--|



- 33
- 34
- 36
- 32
- 37
- 38
- 52
- 67
- 69
- 44
- 46
- 42
- 47
- 48P
- 48
- 400
- 92
- 93
- ISO 01
- ISO 02
- ISO 1**
- ISO 2
- ISO 3

**SERIES FEATURES**

- Plug-in (5599/2) and non plug-in (5599/1) models.
- 2-position, single or double operator. (Solenoid or Remote Air)
- 3-position, double solenoid, open center, closed center, and pressure center.
- Extended or recessed manual operators.
- Single pressure and dual pressure.
- Individual base or add-a-unit manifold base.
- Plug-in, sandwich, single and dual pressure regulators for both individual and manifold valves.

| Function        | Port size          | Flow [Max]               | Individual/Manifold mounting                             | Series |
|-----------------|--------------------|--------------------------|--|--------|
| <b>5/2, 5/3</b> | <b>1/4" - 3/8"</b> | <b>1.8 C<sub>v</sub></b> | Valve only - No base non "plug-in" Conform to ISO 5599/1 |        |

### OPERATIONAL BENEFITS

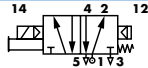
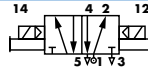
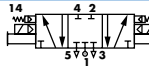
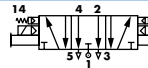
1. Unique patented Macsolenoid® for fastest possible response times and virtually burn-out proof AC solenoid operation.
2. Balanced poppet 4-way pilot valve provides maximum shifting forces, precise repeatability and consistent operation.
3. MAC spool and bore combination wipes away contamination, eliminates sticking and allows for use on non-lube service.
4. Large spool area for maximum shifting forces even at minimum operating pressure.
5. Very high flow in a compact package.
6. Plug-in design of valves, bases and regulators for modular assembly and ease of maintenance.
7. Internal or external pilot operation. Manifolds supplied with common external pilot.
8. Air only return. Optional memory spring is also available.
9. Optional low wattage DC solenoid down to 1.0 watt.



33  
34  
36  
32  
37  
38  
52  
67  
69  
44

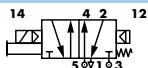
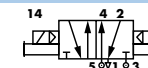
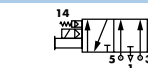
### HOW TO ORDER

#### SINGLE PRESSURE MODELS

| Pilot air         | 5/2 Single operator  | 5/2 Double operator  | 5/3 Closed center   | 5/3 Open center  |
|-------------------|--|--|---|--|
| Internal          | <br>MV-B1A-AAAA-DM-Dxxx-xxx | <br>MV-B1A-ABAA-DM-Dxxx-xxx | <br>MV-B1A-AEAA-DM-Dxxx-xxx | <br>MV-B1A-AFAA-DM-Dxxx-xxx |
| External "12" end | MV-B1A-AAAB-DM-Dxxx-xxx  | MV-B1A-ABAB-DM-Dxxx-xxx  | MV-B1A-AEAB-DM-Dxxx-xxx   | MV-B1A-AFAB-DM-Dxxx-xxx  |

46  
42

#### DUAL PRESSURE MODELS

| Pilot air                    | 5/2 Single operator  | 5/2 Double operator   | 5/3 Pressure center  |
|------------------------------|--|---|--|
| Internal pilot From port #3  | <br>MV-B1A-ACAD-DM-Dxxx-xxx | <br>MV-B1A-ADAD-DM-Dxxx-xxx | <br>MV-B1A-AGAD-DM-Dxxx-xxx |
| Internal pilot From port #5  | MV-B1A-ACAE-DM-Dxxx-xxx  | MV-B1A-ADAE-DM-Dxxx-xxx   | MV-B1A-AGAE-DM-Dxxx-xxx  |
| External pilot From "12" end | MV-B1A-ACAB-DM-Dxxx-xxx  | MV-B1A-ADAB-DM-Dxxx-xxx   | MV-B1A-AGAB-DM-Dxxx-xxx  |

47  
48P  
48  
400

#### SOLENOID OPERATOR ▶

### DM-D **XXX-XXX**\*

| XX Voltage               | X Lead wire length          | X Manual operator             | XX Electrical connection                   |
|--------------------------|-----------------------------|-------------------------------|--|
| <b>JA</b> 110/50, 120/60 | <b>A</b> 18" (Flying leads) | <b>1</b> Non-locking recessed | <b>KA</b> Square connector                 |
| <b>JB</b> 220/50, 240/60 | <b>B</b> 24" (Flying leads) | <b>2</b> Locking recessed     | <b>KD</b> Square connector with light      |
| <b>JC</b> 24/50, 24/60   | <b>J</b> Connector          |                               | <b>JB</b> Rectangular connector            |
| <b>FB</b> 24 VDC (1.8W)  |                             |                               | <b>JD</b> Rectangular connector with light |
| <b>DA</b> 24 VDC (5.4W)  |                             |                               | <b>BA</b> Flying leads                     |
| <b>DF</b> 24 VDC (12.7W) |                             |                               |  |

92

93  
ISO 01  
ISO 02

ISO 1

ISO 2

ISO 3

\* Other options available, see page 309.  
Note: ISO series, valve and base are ordered separately, see page 231 for base code.

### OPTIONS

Valve function :

MV-B1A-**AXX**-XX-Dxxx-xxx

- J** for single operator universal spool (ext. pilot only)
- K** for double operator universal spool (ext. pilot only)

Pilot style :

MV-B1A-**AXX**-**DM**-Dxxx-xxx

- DM** Pilot exhaust muffled
- DP** Pilot exhaust piped (#10-32)

Spool return :

MV-B1A-**AXX**-XX-Dxxx-xxx

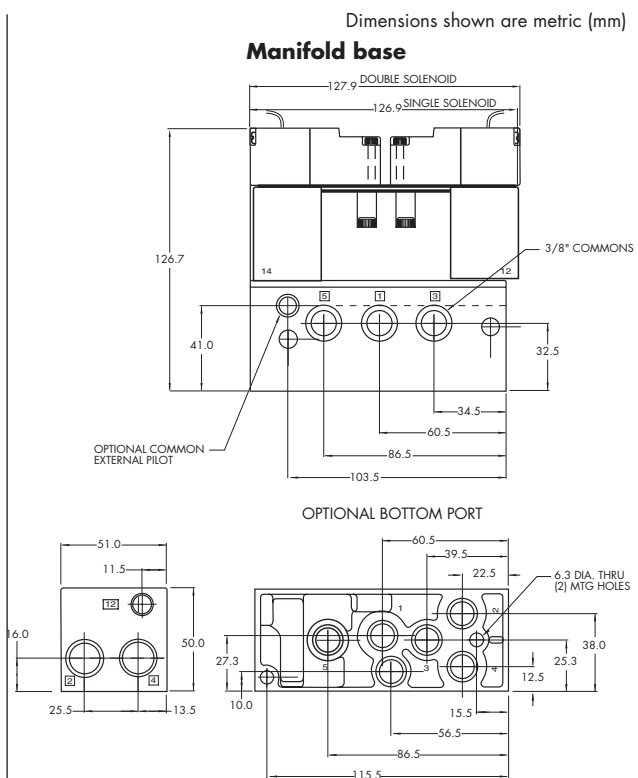
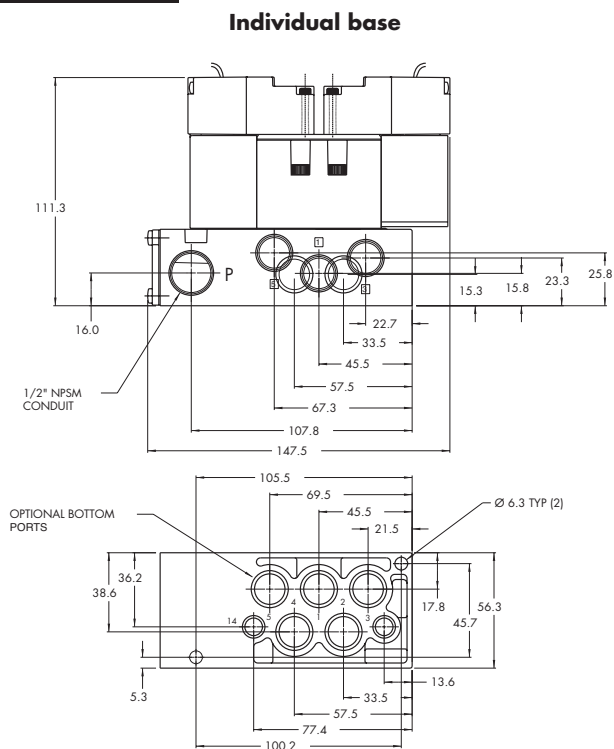
- A** Standard return
- B** Memory spring return

**TECHNICAL DATA**

|   |   |
|---|---|
| <b>Fluid :</b>                                | Compressed air, vacuum, inert gases   |
| <b>Pressure range :</b>                       | Internal pilot : 20 to 120 PSI<br>External pilot : vacuum to 120 PSI                    |
| <b>Pilot pressure :</b>                       | Single/double operator : 20 to 120 PSI, 3 positions : 30 to 120 PSI                     |
| <b>Lubrication :</b>                          | Not required, if used select a medium aniline point lubricant (between 180°F and 210°F) |
| <b>Filtration :</b>                           | 40 µ  |
| <b>Temperature range :</b>                    | 0°F to 120°F (-18°C to +50°C)   |
| <b>Flow :</b>                                 | 3/8": (1.8 C <sub>v</sub> ) – 1/4": (1.6 C <sub>v</sub> )                               |
| <b>Coil :</b>                                 | Class A continuous duty, #22 AWG x 18 leads   |
| <b>Voltage range :</b>                        | -15% to +10% of nominal voltage   |
| <b>Protection :</b>                           | Consult factory   |
| <b>Power :</b>                                | ~ Inrush 7.6 VA    Holding: 4.8 VA<br>= 1 to 12.7 W                                     |
| <b>Response times :<br/>(with 5,4 W coil)</b> | Energize : 11.3 ms<br>De-energize : 7.8 ms  |

- Options :
- Sandwich flow controls: FCP1A-BA (screwdriver slot adjustment)  
FCP1A-BB (locking knob adjustment)
  - Sandwich regulator, see „Regulators’ section
- Spare parts :
- Pilot valve: DMB-Dxxx-xxx • Valve to base pressure seal: 16661

**DIMENSIONS**



| Function        | Port size          | Flow [Max]               | Individual/Manifold mounting                                     | Series |
|-----------------|--------------------|--------------------------|--|--------|
| <b>5/2, 5/3</b> | <b>1/4" - 3/8"</b> | <b>1.8 C<sub>v</sub></b> | Valve only -<br>No base<br>"plug-in"<br>Conform to<br>ISO 5599/2 |        |

**OPERATIONAL BENEFITS**

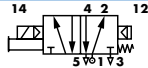
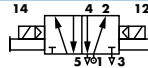
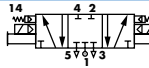
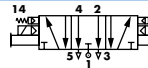
1. Unique patented Macsolenoid® for fastest possible response times and virtually burn-out proof AC solenoid operation.
2. Balanced poppet 4-way pilot valve provides maximum shifting forces, precise repeatability and consistent operation.
3. MAC spool and bore combination wipes away contamination, eliminates sticking and allows for use on non-lube service.
4. Large spool area for maximum shifting forces even at minimum operating pressure.
5. Very high flow in a compact package.
6. Plug-in design of valves, bases and regulators for modular assembly and ease of maintenance.
7. Internal or external pilot operation. Manifolds supplied with common external pilot.
8. Air only return. Optional memory spring is also available.
9. Optional low wattage DC solenoid down to 1.0 watt.



33  
34  
36  
32  
37  
38  
52  
67  
69  
44

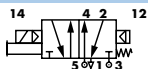
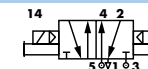
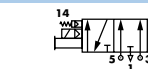
**HOW TO ORDER**

**SINGLE PRESSURE MODELS**

| Pilot air         | 5/2 Single operator  | 5/2 Double operator  | 5/3 Closed center   | 5/3 Open center  |
|-------------------|--|--|---|--|
| Internal          | <br>MV-P1A-AAAA-DM-DxxP-xxx | <br>MV-P1A-ABAA-DM-DxxP-xxx | <br>MV-P1A-AEAA-DM-DxxP-xxx | <br>MV-P1A-AFAA-DM-DxxP-xxx |
| External "12" end | MV-P1A-AAAB-DM-DxxP-xxx  | MV-P1A-ABAB-DM-DxxP-xxx  | MV-P1A-AEAB-DM-DxxP-xxx   | MV-P1A-AFAB-DM-DxxP-xxx  |

46  
42

**DUAL PRESSURE MODELS**

| Pilot air                    | 5/2 Single operator  | 5/2 Double operator   | 5/3 Pressure center  |
|------------------------------|--|---|--|
| Internal pilot From port #3  | <br>MV-P1A-ACAD-DM-DxxP-xxx | <br>MV-P1A-ADAD-DM-DxxP-xxx | <br>MV-P1A-AGAD-DM-DxxP-xxx |
| Internal pilot From port #5  | MV-P1A-ACAE-DM-DxxP-xxx  | MV-P1A-ADAE-DM-DxxP-xxx   | MV-P1A-AGAE-DM-DxxP-xxx  |
| External pilot From "12" end | MV-P1A-ACAB-DM-DxxP-xxx  | MV-P1A-ADAB-DM-DxxP-xxx   | MV-P1A-AGAB-DM-DxxP-xxx  |

47  
48P  
48  
400

**SOLENOID OPERATOR**

**DM-D XX P-XXX\***

| XX Voltage                      | X Manual operator             | XX Electrical connection      |
|---------------------------------|-------------------------------|-------------------------------|
| <b>JA</b> 110/50, 120/60 (2.9W) | <b>1</b> Non-locking recessed | <b>DM</b> Plug-in             |
| <b>JB</b> 220/50, 240/60 (2.9W) | <b>2</b> Locking recessed     | <b>DN</b> Plug-in with diode  |
| <b>JC</b> 24/50, 24/60 (2.9W)   |                               | <b>DP</b> Plug-in with M.O.V. |
| <b>FB</b> 24 VDC (1.8W)         |                               | <b>DG</b> Plug-in with ground |
| <b>DA</b> 24 VDC (5.4W)         |                               |                               |
| <b>DF</b> 24 VDC (12.7W)        |                               |                               |

92  
93

\* Other options available, see page 309.  
Note: - ISO series, valve and base are ordered separately, see page 233 for base codes.  
- Ground wire required for 30 volts or higher.

**OPTIONS**

Valve function :

MV-P1A-AXXX-XX-DxxP-xxx  
**J** for single operator universal spool (ext. pilot only)  
**K** for double operator universal spool (ext. pilot only)

Pilot style :

MV-P1A-AXXX-DM-DxxP-xxx  
**DM** Pilot exhaust muffled  
**DP** Pilot exhaust piped (#10-32)

Spool return :

MV-P1A-AXXX-XX-DxxP-xxx  
**A** Standard return  
**B** Memory spring return  
**D** Standard return with light  
**E** Memory spring return with light

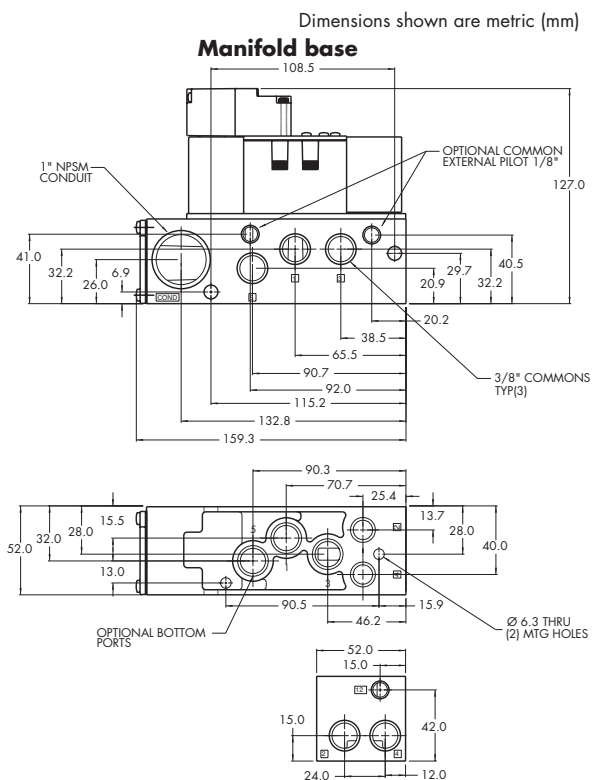
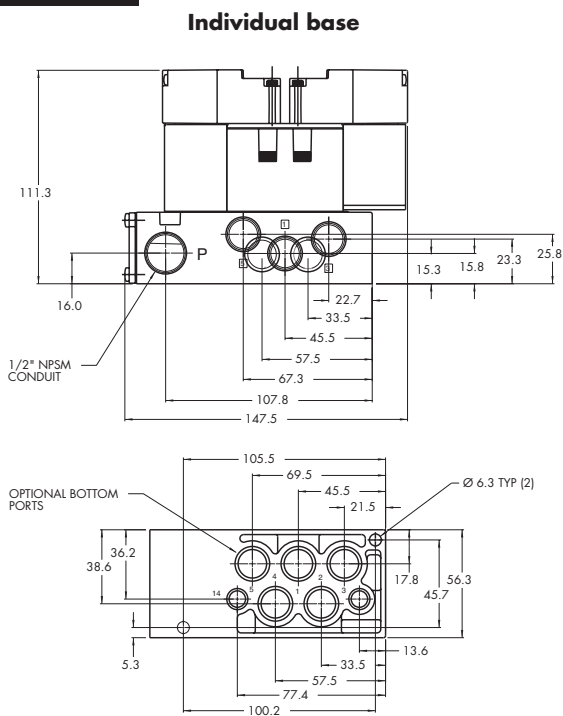
ISO 01  
ISO 02  
**ISO 1**  
ISO 2  
ISO 3

**TECHNICAL DATA**

|   |   |
|---|---|
| <b>Fluid :</b>                                | Compressed air, vacuum, inert gases   |
| <b>Pressure range :</b>                       | Internal pilot: 20 to 120 PSI<br>External pilot : vacuum to 120 PSI                     |
| <b>Pilot pressure :</b>                       | Single/double operator : 20 to 120 PSI, 3 positions : 30 to 120 PSI                     |
| <b>Lubrication :</b>                          | Not required, if used select a medium aniline point lubricant (between 180°F and 210°F) |
| <b>Filtration :</b>                           | 40 µ  |
| <b>Temperature range :</b>                    | 0°F to 120°F (-18°C to +50°C)   |
| <b>Flow :</b>                                 | 3/8": (1.8 C <sub>v</sub> ) – 1/4": (1.6 C <sub>v</sub> )                               |
| <b>Coil :</b>                                 | Class A continuous duty, #22 AWG x 12 base leads  |
| <b>Voltage range :</b>                        | -15% to +10% of nominal voltage   |
| <b>Protection :</b>                           | Consult factory   |
| <b>Power :</b>                                | ~ Inrush 7.6 VA    Holding: 4.8 VA<br>= 1 to 12.7 W                                     |
| <b>Response times :<br/>(with 5,4 W coil)</b> | Energize : 10 ms<br>De-energize : 9 ms  |

- Options :
- Sandwich flow controls: FCP1A-AA (screwdriver slot adjustment)  
FCP1A-AB (locking knob adjustment)
  - Sandwich regulator, see „Regulators’ section
- Spare parts :
- Pilot valve: DMB-DxxP-xxx • Valve to base pressure seal: 16661

**DIMENSIONS**



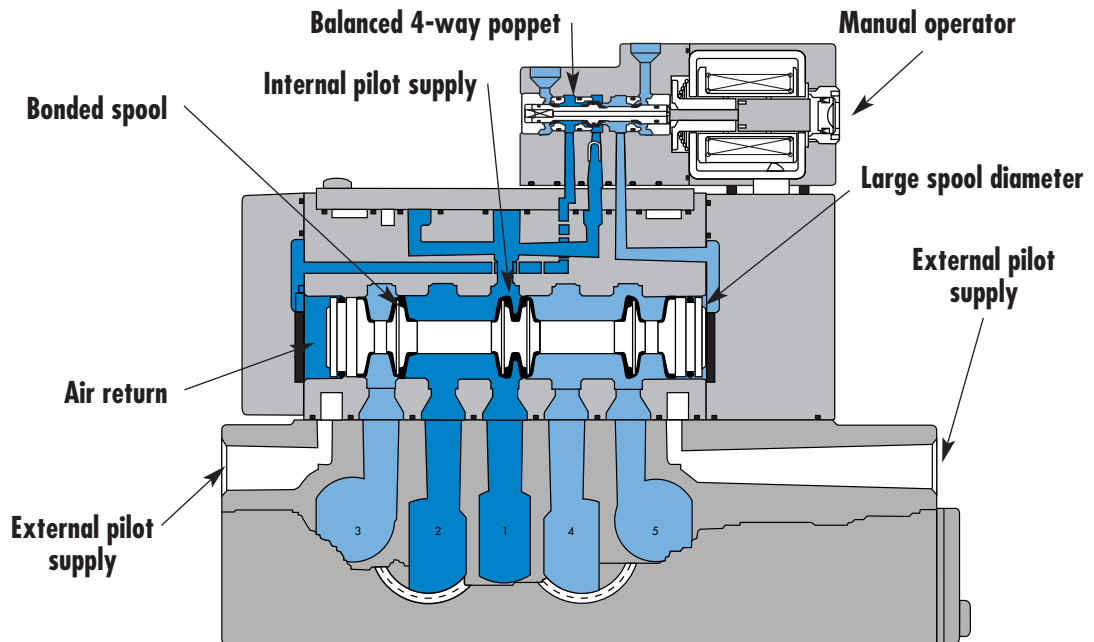
Individual mounting

|  |  |
|--|--|
| Valve only -<br>No base<br>non "plug-in"<br>Conform to<br>ISO 5599/1 | Valve only -<br>No base<br>"plug-in"<br>Conform to<br>ISO 5599/2 |
|--|--|

Series

Manifold mounting

|  |  |
|--|--|
| Valve only -<br>No base<br>non "plug-in"<br>Conform to<br>ISO 5599/1 | Valve only -<br>No base<br>"plug-in"<br>Conform to<br>ISO 5599/2 |
|--|--|



33  
34  
36  
32  
37  
38  
52  
67  
69  
44  
46  
42  
47  
48P  
48  
400  
92  
93  
ISO 01  
ISO 02  
ISO 1  
**ISO 2**  
ISO 3

**SERIES FEATURES**

- Plug-in (5599/2) and non plug-in (5599/1) models.
- 2-position, single or double operator. (Solenoid or Remote Air)
- 3-position, double solenoid, open center, closed center, and pressure center.
- Extended or recessed manual operators.
- Single pressure and dual pressure.
- Individual base or add-a-unit manifold base.
- Plug-in, sandwich, single and dual pressure regulators for both individual and manifold valves.

| Function        | Port size          | Flow [Max]               | Individual/Manifold mounting                             | Series |
|-----------------|--------------------|--------------------------|--|--------|
| <b>5/2, 5/3</b> | <b>3/8" - 1/2"</b> | <b>3.0 C<sub>v</sub></b> | Valve only - No base non "plug-in" Conform to ISO 5599/1 |        |

### OPERATIONAL BENEFITS

1. Unique patented Macsolenoid® for fastest possible response times and virtually burn-out proof AC solenoid operation.
2. Balanced poppet 4-way pilot valve provides maximum shifting forces, precise repeatability and consistent operation.
3. MAC spool and bore combination wipes away contamination, eliminates sticking and allows for use on non-lube service.
4. Large spool area for maximum shifting forces even at minimum operating pressure.
5. Very high flow in a compact package.
6. Plug-in design of valves, bases and regulators for modular assembly and ease of maintenance.
7. Internal or external pilot operation. Manifolds supplied with common external pilot.
8. Air only return. Optional memory spring is also available.
9. Optional low wattage DC solenoid down to 1.0 watt.



33  
34  
36  
32  
37  
38  
52  
67  
69  
44

### HOW TO ORDER

#### SINGLE PRESSURE MODELS

| Pilot air         | 5/2 Single operator     | 5/2 Double operator     | 5/3 Closed center       | 5/3 Open center         |
|-------------------|-------------------------|-------------------------|-------------------------|-------------------------|
| Internal          | MV-B2A-AAAA-DM-Dxxx-xxx | MV-B2A-ABAA-DM-Dxxx-xxx | MV-B2A-AEAA-DM-Dxxx-xxx | MV-B2A-AFAA-DM-Dxxx-xxx |
| External "12" end | MV-B2A-AAAB-DM-Dxxx-xxx | MV-B2A-ABAB-DM-Dxxx-xxx | MV-B2A-AEAB-DM-Dxxx-xxx | MV-B2A-AFAB-DM-Dxxx-xxx |

46  
42

#### DUAL PRESSURE MODELS

| Pilot air                    | 5/2 Single operator     | 5/2 Double operator     | 5/3 Pressure center     |
|------------------------------|-------------------------|-------------------------|-------------------------|
| Internal pilot From port #3  | MV-B2A-ACAD-DM-Dxxx-xxx | MV-B2A-ADAD-DM-Dxxx-xxx | MV-B2A-AGAD-DM-Dxxx-xxx |
| Internal pilot From port #5  | MV-B2A-ACAE-DM-Dxxx-xxx | MV-B2A-ADAE-DM-Dxxx-xxx | MV-B2A-AGAE-DM-Dxxx-xxx |
| External pilot From "12" end | MV-B2A-ACAB-DM-Dxxx-xxx | MV-B2A-ADAB-DM-Dxxx-xxx | MV-B2A-AGAB-DM-Dxxx-xxx |

47  
48P  
48  
400

#### SOLENOID OPERATOR ▶

### DM-D **XXX-XXX**\*

| XX Voltage               | X Lead wire length          | X Manual operator             | XX Electrical connection                   |
|--------------------------|-----------------------------|-------------------------------|--|
| <b>JA</b> 110/50, 120/60 | <b>A</b> 18" (Flying leads) | <b>1</b> Non-locking recessed | <b>KA</b> Square connector                 |
| <b>JB</b> 220/50, 240/60 | <b>B</b> 24" (Flying leads) | <b>2</b> Locking recessed     | <b>KD</b> Square connector with light      |
| <b>JC</b> 24/50, 24/60   | <b>J</b> Connector          |                               | <b>JB</b> Rectangular connector            |
| <b>FB</b> 24 VDC (1.8W)  |                             |                               | <b>JD</b> Rectangular connector with light |
| <b>DA</b> 24 VDC (5.4W)  |                             |                               | <b>BA</b> Flying leads                     |
| <b>DF</b> 24 VDC (12.7W) |                             |                               |  |

92

93  
ISO 01  
ISO 02  
ISO 1  
ISO 2  
ISO 3

\* Other options available, see page 309.  
Note: ISO series, valve and base are ordered separately, see page 235 for base code.

### OPTIONS

Valve function :

MV-B2A-**AXXX-XX-Dxxx-xxx**

- J** for single operator universal spool (ext. pilot only)
- K** for double operator universal spool (ext. pilot only)

Pilot style :

MV-B2A-**AXXX-DM-Dxxx-xxx**

- DM** Pilot exhaust muffled
- DP** Pilot exhaust piped (#10-32)

Spool return :

MV-B2A-**AXAX-XX-Dxxx-xxx**

- A** Standard return
- B** Memory spring return

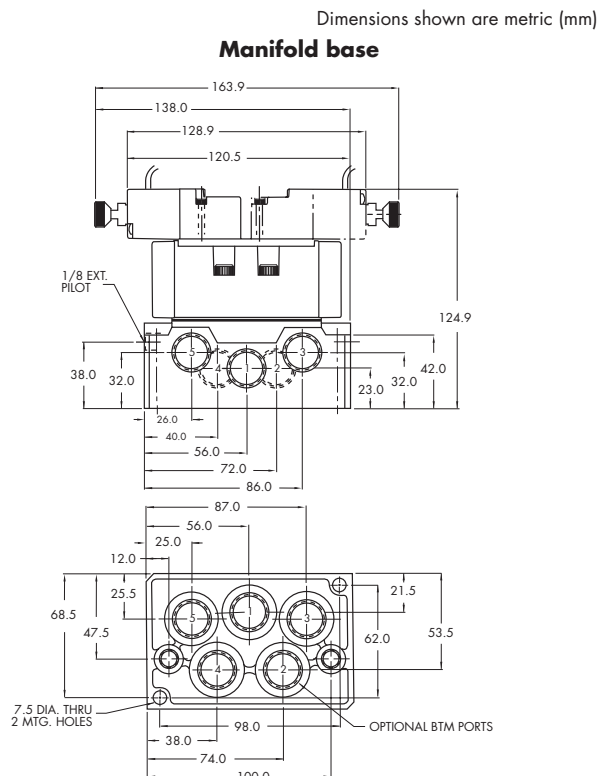
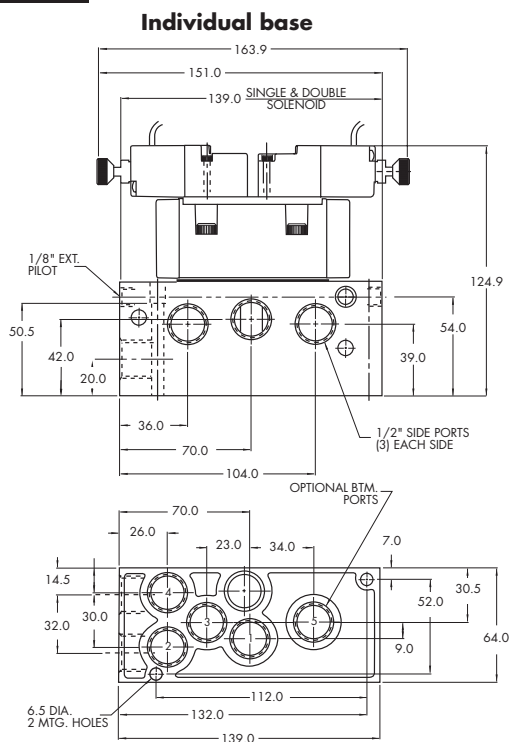


**TECHNICAL DATA**

|                            |   |
|----------------------------|---|
| <b>Fluid :</b>             | Compressed air, vacuum, inert gases   |
| <b>Pressure range :</b>    | Internal pilot: 20 to 120 PSI<br>External pilot : vacuum to 120 PSI   |
| <b>Pilot pressure :</b>    | Single/double operator : 20 to 120 PSI, 3 positions : 30 to 120 PSI   |
| <b>Lubrication :</b>       | Not required, if used select a medium aniline point lubricant (between 180°F and 210°F)                           |
| <b>Filtration :</b>        | 40 µ  |
| <b>Temperature range :</b> | 0°F to 120°F (-18°C to +50°C)   |
| <b>Flow :</b>              | 3/8": (2.8 C <sub>v</sub> ) - 1/2": (3.0 C <sub>v</sub> )   |
| <b>Coil :</b>              | Class A continuous duty, #22 AWG x 18 leads   |
| <b>Voltage range :</b>     | -15% to +10% of nominal voltage   |
| <b>Protection :</b>        | Consult factory   |
| <b>Power :</b>             | ~ Inrush 7.6 VA    Holding: 4.8 VA<br>= 12.7 to 1.0 W   |
| <b>Response times :</b>    | 24 VDC 5.4w    Energize : 10 ms    De-energize : 9.6 ms<br>120/60    Energize : 6-15 ms    De-energize : 10-17 ms |

- Options :
- Sandwich flow controls: FCP2A-BA (screwdriver slot adjustment)  
FCP2A-BB (locking knob adjustment)
  - Sandwich regulator, see „Regulators’ section
- Spare parts :
- Pilot valve: DMB-Dxxx-xxx
  - Valve to base pressure seal: 16576
  - Valve mounting screws (x4): 35413

**DIMENSIONS**



| Function        | Port size          | Flow [Max]               | Individual/Manifold mounting                                     | Series |
|-----------------|--------------------|--------------------------|--|--------|
| <b>5/2, 5/3</b> | <b>3/8" - 1/2"</b> | <b>3.0 C<sub>v</sub></b> | Valve only -<br>No base<br>"plug-in"<br>Conform to<br>ISO 5599/2 |        |

### OPERATIONAL BENEFITS

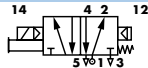
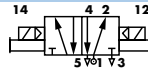
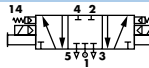

1. Unique patented Macsolenoid® for fastest possible response times and virtually burn-out proof AC solenoid operation.
2. Balanced poppet 4-way pilot valve provides maximum shifting forces, precise repeatability and consistent operation.
3. MAC spool and bore combination wipes away contamination, eliminates sticking and allows for use on non-lube service.
4. Large spool area for maximum shifting forces even at minimum operating pressure.
5. Very high flow in a compact package.
6. Plug-in design of valves, bases and regulators for modular assembly and ease of maintenance.
7. Internal or external pilot operation. Manifolds supplied with common external pilot.
8. Air only return. Optional memory spring is also available.
9. Optional low wattage DC solenoid down to 1.0 watt.



33  
34  
36  
32  
37  
38  
52  
67  
69  
44

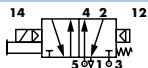
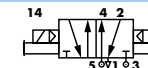
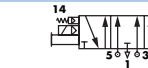
### HOW TO ORDER

#### SINGLE PRESSURE MODELS

| Pilot air         | 5/2<br>Single operator   | 5/2<br>Double operator   | 5/3<br>Closed center  | 5/3<br>Open center   |
|-------------------|--|--|---|--|
| Internal          | <br>MV-P2A-AAAA-DM-DxxP-xxx | <br>MV-P2A-ABAA-DM-DxxP-xxx | <br>MV-P2A-AEAA-DM-DxxP-xxx | <br>MV-P2A-AFAA-DM-DxxP-xxx |
| External "12" end | MV-P2A-AAAB-DM-DxxP-xxx  | MV-P2A-ABAB-DM-DxxP-xxx  | MV-P2A-AEAB-DM-DxxP-xxx   | MV-P2A-AFAB-DM-DxxP-xxx  |

46  
42

#### DUAL PRESSURE MODELS

| Pilot air                    | 5/2<br>Single operator   | 5/2<br>Double operator  | 5/3<br>Pressure center   |
|------------------------------|--|---|--|
| Internal pilot From port #3  | <br>MV-P2A-ACAD-DM-DxxP-xxx | <br>MV-P2A-ADAD-DM-DxxP-xxx | <br>MV-P2A-AGAD-DM-DxxP-xxx |
| Internal pilot From port #5  | MV-P2A-ACAE-DM-DxxP-xxx  | MV-P2A-ADAE-DM-DxxP-xxx   | MV-P2A-AGAE-DM-DxxP-xxx  |
| External pilot From "12" end | MV-P2A-ACAB-DM-DxxP-xxx  | MV-P2A-ADAB-DM-DxxP-xxx   | MV-P2A-AGAB-DM-DxxP-xxx  |

47  
48P  
48  
400

#### SOLENOID OPERATOR ▶

### DM-D XX P-XXX\*

| XX Voltage               | X Manual operator             | XX Electrical connection      |
|--------------------------|-------------------------------|-------------------------------|
| <b>JA</b> 110/50, 120/60 | <b>1</b> Non-locking recessed | <b>DM</b> Plug-in             |
| <b>JB</b> 220/50, 240/60 | <b>2</b> Locking recessed     | <b>DN</b> Plug-in with diode  |
| <b>JC</b> 24/50, 24/60   |                               | <b>DP</b> Plug-in with M.O.V. |
| <b>FB</b> 24 VDC (1.8W)  |                               | <b>DG</b> Plug-in with ground |
| <b>DA</b> 24 VDC (5.4W)  |                               |                               |
| <b>DF</b> 24 VDC (12.7W) |                               |                               |

\* Other options available, see page 309.  
Note: - ISO series, valve and base are ordered separately, see page 237 for base codes.  
- Ground wire required for 30 volts or higher.

92  
93

ISO 01  
ISO 02  
ISO 1  
**ISO 2**  
ISO 3

### OPTIONS

Valve function :

MV-P2A-AXXX-XX-DxxP-xxx

- J** for single operator universal spool (ext. pilot only)
- K** for double operator universal spool (ext. pilot only)

Pilot style :

MV-P2A-AXXX-**DM**-DxxP-xxx

- DM** Pilot exhaust muffled
- DP** Pilot exhaust piped (#10-32)

Spool return :

MV-P2A-AXX-**AX**-XX-DxxP-xxx

- A** Standard return
- B** Memory spring return
- D** Standard return with light
- E** Memory spring return with light

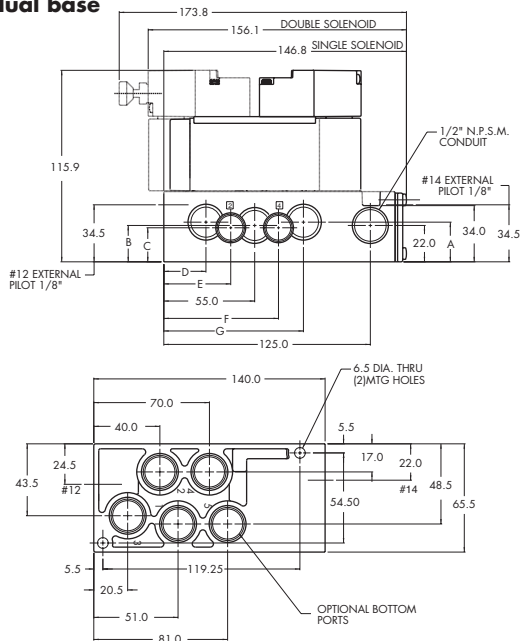
**TECHNICAL DATA**

|                            |   |
|----------------------------|---|
| <b>Fluid :</b>             | Compressed air, vacuum, inert gases   |
| <b>Pressure range :</b>    | Internal pilot: 20 to 120 PSI<br>External pilot : vacuum to 120 PSI   |
| <b>Pilot pressure :</b>    | Single/double operator : 20 to 120 PSI, 3 positions : 30 to 120 PSI   |
| <b>Lubrication :</b>       | Not required, if used select a medium aniline point lubricant (between 180°F and 210°F)                           |
| <b>Filtration :</b>        | 40 µ  |
| <b>Temperature range :</b> | 0°F to 120°F (-18°C to +50°C)   |
| <b>Flow :</b>              | 3/8": (2.8 C <sub>v</sub> ) - 1/2": (3.0 C <sub>v</sub> )   |
| <b>Coil :</b>              | Class A continuous duty, #18 AWG x 12 base leads  |
| <b>Voltage range :</b>     | -15% to +10% of nominal voltage   |
| <b>Protection :</b>        | Consult factory   |
| <b>Power :</b>             | ~ Inrush 14.8 VA    Holding: 10.9 VA<br>= 12.7 to 1.0 W   |
| <b>Response times :</b>    | 24 VDC 5.4w    Energize : 10 ms    De-energize : 9.6 ms<br>120/60    Energize : 6-15 ms    De-energize : 10-17 ms |

- Options :
- Sandwich flow controls: FCP2A-AA (screwdriver slot adjustment)  
FCP2A-AB (locking knob adjustment)
  - Sandwich regulator, see „Regulators’ section
- Spare parts :
- Pilot valve: DMB-DxxP-xxx
  - Valve to base pressure seal: 16576
  - Valve mounting screws (x4): 35413

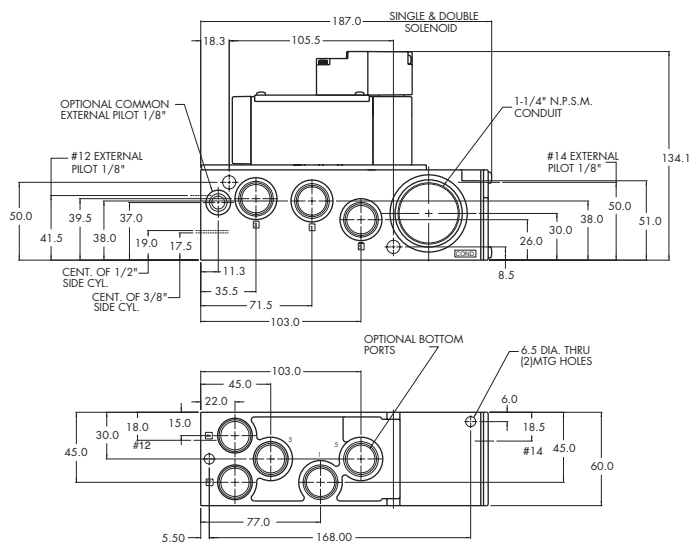
**DIMENSIONS**

**Individual base**



| DIM. | A    | B    | C    | D    | E    | F    | G    |
|------|------|------|------|------|------|------|------|
| 3/8" | 25.2 | 22.7 | 20.6 | 26.7 | 40.5 | 69.4 | 83.3 |
| 1/2" | 24.0 | 21.0 | 19.0 | 25.5 | 40.0 | 70.0 | 84.5 |

**Manifold base**



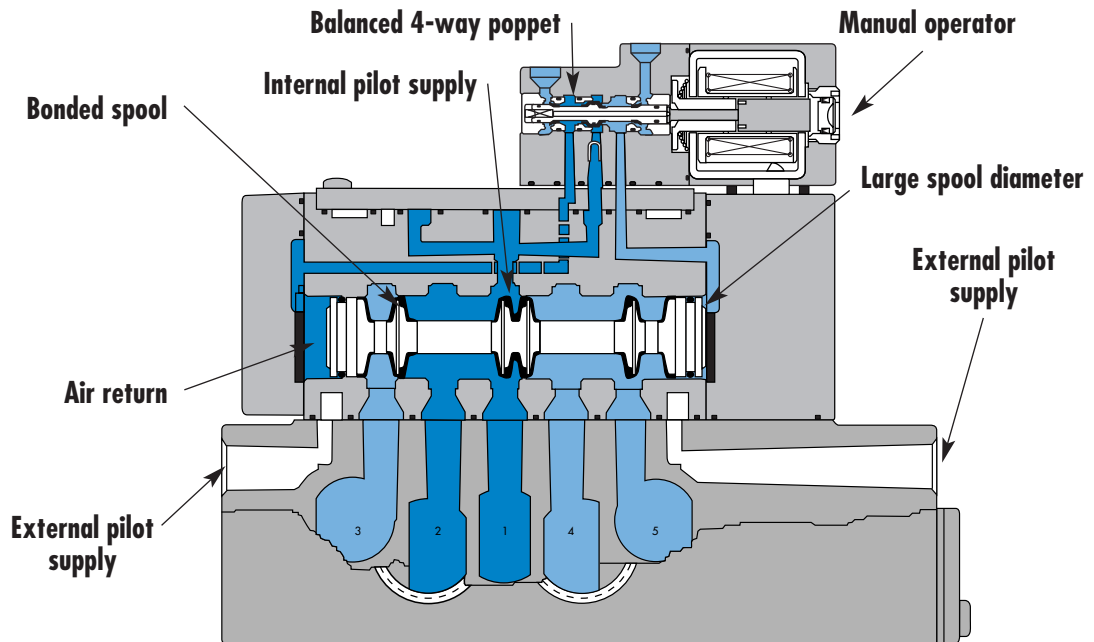
Individual mounting

|  |  |
|--|--|
| Valve only -<br>No base<br>non "plug-in"<br>Conform to<br>ISO 5599/1 | Valve only -<br>No base<br>"plug-in"<br>Conform to<br>ISO 5599/2 |
|--|--|

Series

Manifold mounting

|  |  |
|--|--|
| Valve only -<br>No base<br>non "plug-in"<br>Conform to<br>ISO 5599/1 | Valve only -<br>No base<br>"plug-in"<br>Conform to<br>ISO 5599/2 |
|--|--|



- 33
- 34
- 36
- 32
- 37
- 38
- 52
- 67
- 69
- 44
- 46
- 42
- 47
- 48P
- 48
- 400
- 92
- 93
- ISO 01
- ISO 02
- ISO 1
- ISO 2
- ISO 3**

**SERIES FEATURES**

- Plug-in (5599/2) and non plug-in (5599/1) models.
- 2-position, single or double operator. (Solenoid or Remote Air)
- 3-position, double solenoid, open center, closed center, and pressure center.
- Extended or recessed manual operators.
- Single pressure and dual pressure.
- Individual base or add-a-unit manifold base.
- Plug-in, sandwich, single and dual pressure regulators for both individual and manifold valves.

| Function        | Port size          | Flow [Max]               | Individual/Manifold mounting                             | Series |
|-----------------|--------------------|--------------------------|--|--------|
| <b>5/2, 5/3</b> | <b>1/2" - 3/4"</b> | <b>6.1 C<sub>v</sub></b> | Valve only - No base "non plug-in" Conform to ISO 5599/1 |        |

### OPERATIONAL BENEFITS

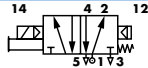
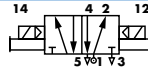
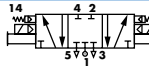
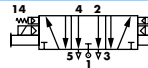
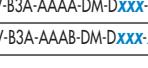
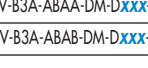
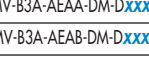
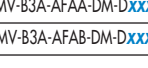
1. Unique patented Macsolenoid® for fastest possible response times and virtually burn-out proof AC solenoid operation.
2. Balanced poppet 4-way pilot valve provides maximum shifting forces, precise repeatability and consistent operation.
3. MAC spool and bore combination wipes away contamination, eliminates sticking and allows for use on non-lube service.
4. Large spool area for maximum shifting forces even at minimum operating pressure.
5. Very high flow in a compact package.
6. Plug-in design of valves, bases and regulators for modular assembly and ease of maintenance.
7. Internal or external pilot operation. Manifolds supplied with common external pilot.
8. Air only return. Optional memory spring is also available.
9. Optional low wattage DC solenoid down to 1.0 watt.



33  
34  
36  
32  
37  
38  
52  
67  
69  
44

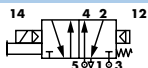
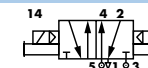
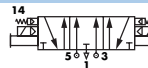
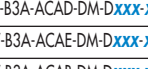
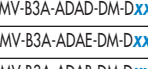
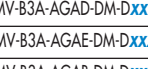


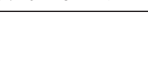
### HOW TO ORDER

#### SINGLE PRESSURE MODELS

| Pilot air         | 5/2 Single operator  | 5/2 Double operator  | 5/3 Closed center   | 5/3 Open center  |
|-------------------|--|--|---|--|
| Internal          | <br>MV-B3A-AAAA-DM-DXXX-XXX | <br>MV-B3A-ABAA-DM-DXXX-XXX | <br>MV-B3A-AEAA-DM-DXXX-XXX | <br>MV-B3A-AFAA-DM-DXXX-XXX |
| External "12" end | <br>MV-B3A-AAAB-DM-DXXX-XXX | <br>MV-B3A-ABAB-DM-DXXX-XXX | <br>MV-B3A-AEAB-DM-DXXX-XXX | <br>MV-B3A-AFAB-DM-DXXX-XXX |

46  
42

#### DUAL PRESSURE MODELS

| Pilot air                    | 5/2 Single operator  | 5/2 Double operator   | 5/3 Pressure center  |
|------------------------------|--|---|--|
| Internal pilot From port #3  | <br>MV-B3A-ACAD-DM-DXXX-XXX | <br>MV-B3A-ADAD-DM-DXXX-XXX | <br>MV-B3A-AGAD-DM-DXXX-XXX |
| Internal pilot From port #5  | <br>MV-B3A-ACAE-DM-DXXX-XXX | <br>MV-B3A-ADAE-DM-DXXX-XXX | <br>MV-B3A-AGAE-DM-DXXX-XXX |
| External pilot From "12" end | <br>MV-B3A-ACAB-DM-DXXX-XXX | <br>MV-B3A-ADAB-DM-DXXX-XXX | <br>MV-B3A-AGAB-DM-DXXX-XXX |

47  
48P  
48  
400

#### SOLENOID OPERATOR ▶

### DM-D XXX-XXX\*

| XX Voltage               | X Lead wire length          | X Manual operator             | XX Electrical connection                   |
|--------------------------|-----------------------------|-------------------------------|--|
| <b>JA</b> 110/50, 120/60 | <b>A</b> 18" (Flying leads) | <b>1</b> Non-locking recessed | <b>KA</b> Square connector                 |
| <b>JB</b> 220/50, 240/60 | <b>B</b> 24" (Flying leads) | <b>2</b> Locking recessed     | <b>KD</b> Square connector with light      |
| <b>JC</b> 24/50, 24/60   | <b>J</b> Connector          |                               | <b>JB</b> Rectangular connector            |
| <b>FB</b> 24 VDC (1.8W)  |                             |                               | <b>JD</b> Rectangular connector with light |
| <b>DA</b> 24 VDC (5.4W)  |                             |                               | <b>BA</b> Flying leads                     |
| <b>DF</b> 24 VDC (12.7W) |                             |                               |  |

92

93  
ISO 01  
ISO 02  
ISO 1  
ISO 2  
ISO 3

\* Other options available, see page 309.  
Note: ISO series, valve and base are ordered separately, see page 239 for base code.

### OPTIONS

Valve function :

MV-B3A-**AXX**-XX-DXXX-XXX

- J** for single operator universal spool (ext. pilot only)
- K** for double operator universal spool (ext. pilot only)

Pilot style :

MV-B3A-AXX-**DM**-DXXX-XXX

- DM** Pilot exhaust muffled
- DP** Pilot exhaust piped (#10-32)

Spool return :

MV-B3A-AX**A**X-XX-DXXX-XXX

- A** Standard return
- B** Memory spring return

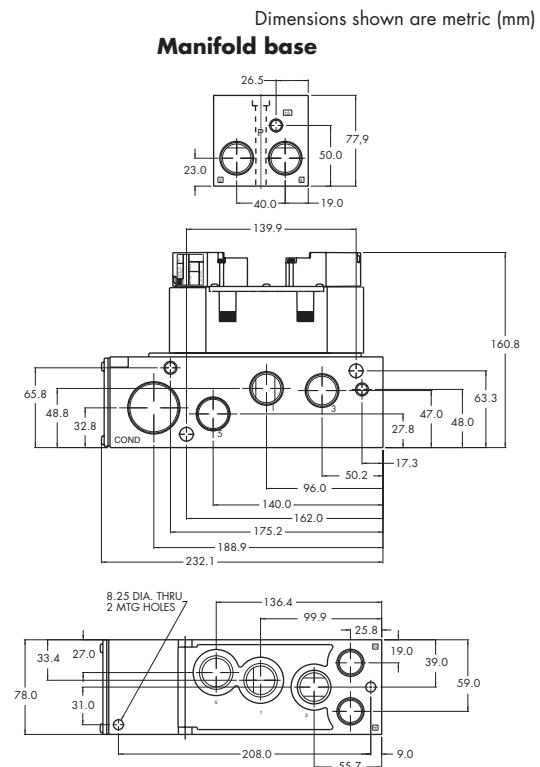
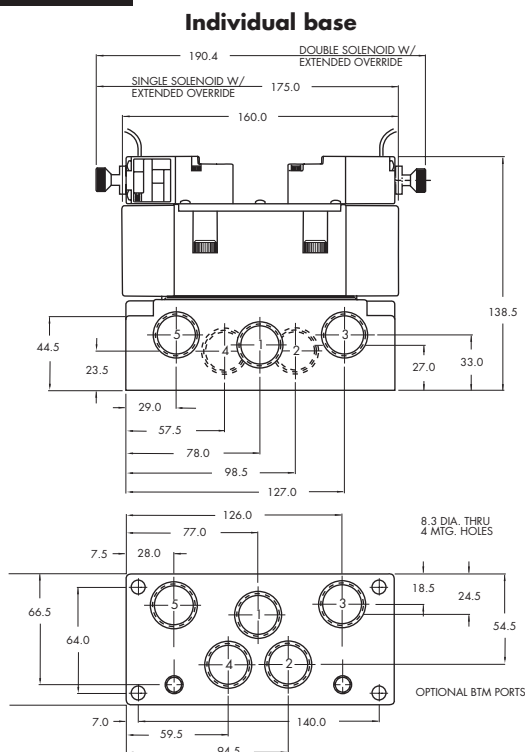
**TECHNICAL DATA**

|  |   |
|--|---|
| <b>Fluid :</b>                           | Compressed air, vacuum, inert gases   |
| <b>Pressure range :</b>                  | Internal pilot: 20 to 120 PSI<br>External pilot : vacuum to 120 PSI                     |
| <b>Pilot pressure :</b>                  | Single/double operator : 20 to 120 PSI, 3 positions : 30 to 120 PSI                     |
| <b>Lubrication :</b>                     | Not required, if used select a medium aniline point lubricant (between 180°F and 210°F) |
| <b>Filtration :</b>                      | 40 µ  |
| <b>Temperature range :</b>               | 0°F to 120°F (-18°C to +50°C)   |
| <b>Flow :</b>                            | 1/2": (5.4 C <sub>v</sub> ) – 3/4": (6.1 C <sub>v</sub> )                               |
| <b>Coil :</b>                            | Class A continuous duty, #22 AWG leads  |
| <b>Voltage range :</b>                   | -15% to +10% of nominal voltage   |
| <b>Protection :</b>                      | Consult factory   |
| <b>Power :</b>                           | ~ Inrush 7.6 VA    Holding: 4.8 VA<br>= 12.7 to 1.0 W                                   |
| <b>Response times :<br/>(5.4 W coil)</b> | Energize : 16.2 ms<br>De-energize : 13.6 ms   |

Options :                      • Sandwich regulator, see „Regulators’ section

Spare parts :                • Pilot valve: DMB-Dxxx-xxx • Valve to base pressure seal: 16614  
                                      • Valve mounting screws (x4): 35451

**DIMENSIONS**



| Function        | Port size          | Flow [Max]               | Individual/Manifold mounting                                     | Series |
|-----------------|--------------------|--------------------------|--|--------|
| <b>5/2, 5/3</b> | <b>1/2" - 3/4"</b> | <b>6.1 C<sub>v</sub></b> | Valve only -<br>No base<br>"plug-in"<br>Conform to<br>ISO 5599/2 |        |

### OPERATIONAL BENEFITS

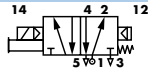
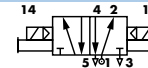
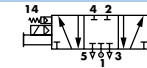
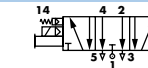
1. Unique patented Macsolenoid® for fastest possible response times and virtually burn-out proof AC solenoid operation.
2. Balanced poppet 4-way pilot valve provides maximum shifting forces, precise repeatability and consistent operation.
3. MAC spool and bore combination wipes away contamination, eliminates sticking and allows for use on non-lube service.
4. Large spool area for maximum shifting forces even at minimum operating pressure.
5. Very high flow in a compact package.
6. Plug-in design of valves, bases and regulators for modular assembly and ease of maintenance.
7. Internal or external pilot operation. Manifolds supplied with common external pilot.
8. Air only return. Optional memory spring is also available.
9. Optional low wattage DC solenoid down to 1.0 watt.



33  
34  
36  
32  
37  
38  
52  
67  
69  
44

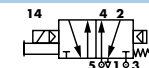
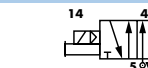
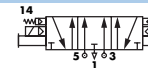
### HOW TO ORDER

#### SINGLE PRESSURE MODELS

| Pilot air         | 5/2<br>Single operator   | 5/2<br>Double operator   | 5/3<br>Closed center  | 5/3<br>Open center   |
|-------------------|--|--|---|--|
| Internal          | <br>MV-P3A-AAAA-DM-DxxP-xxx | <br>MV-P3A-ABAA-DM-DxxP-xxx | <br>MV-P3A-AEAA-DM-DxxP-xxx | <br>MV-P3A-AFAA-DM-DxxP-xxx |
| External "12" end | MV-P3A-AAAB-DM-DxxP-xxx  | MV-P3A-ABAB-DM-DxxP-xxx  | MV-P3A-AEAB-DM-DxxP-xxx   | MV-P3A-AFAB-DM-DxxP-xxx  |

46  
42

#### DUAL PRESSURE MODELS

| Pilot air                    | 5/2<br>Single operator   | 5/2<br>Double operator   | 5/3<br>Pressure center   |
|------------------------------|--|--|--|
| Internal pilot From port #3  | <br>MV-P3A-ACAD-DM-DxxP-xxx | <br>MV-P3A-ADAD-DM-DxxP-xxx | <br>MV-P3A-AGAD-DM-DxxP-xxx |
| Internal pilot From port #5  | MV-P3A-ACAE-DM-DxxP-xxx  | MV-P3A-ADAE-DM-DxxP-xxx  | MV-P3A-AGAE-DM-DxxP-xxx  |
| External pilot From "12" end | MV-P3A-ACAB-DM-DxxP-xxx  | MV-P3A-ADAB-DM-DxxP-xxx  | MV-P3A-AGAB-DM-DxxP-xxx  |

47  
48P  
48  
400

#### SOLENOID OPERATOR ▶

### DM-D XX P-XXX\*

| XX Voltage                      | X Manual operator             | XX Electrical connection      |
|---------------------------------|-------------------------------|-------------------------------|
| <b>JA</b> 110/50, 120/60 (2.9W) | <b>1</b> Non-locking recessed | <b>DM</b> Plug-in             |
| <b>JB</b> 220/50, 240/60 (2.9W) | <b>2</b> Locking recessed     | <b>DN</b> Plug-in with diode  |
| <b>JC</b> 24/50, 24/60 (2.9W)   |                               | <b>DP</b> Plug-in with M.O.V. |
| <b>FB</b> 24 VDC (1.8W)         |                               | <b>DG</b> Plug-in with ground |
| <b>DA</b> 24 VDC (5.4W)         |                               |                               |
| <b>DF</b> 24 VDC (12.7W)        |                               |                               |

\* Other options available, see page 309.  
Note: - ISO series, valve and base are ordered separately, see page 241 for base codes.  
- Ground wire required for 30 volts or higher.

92  
93

ISO 01  
ISO 02  
ISO 1  
ISO 2  
**ISO 3**

### OPTIONS

Valve function :

MV-P3A-AXXX-XX-DxxP-xxx

- J** for single operator universal spool (ext. pilot only)
- K** for double operator universal spool (ext. pilot only)

Pilot style :

MV-P3A-AXXX-DM-DxxP-xxx

- DM** Pilot exhaust muffled
- DP** Pilot exhaust piped (#10-32)

Spool return :

MV-P3A-AXX-AX-DxxP-xxx

- A** Standard return
- B** Memory spring return
- D** Standard return with light
- E** Memory spring return with light

**TECHNICAL DATA**

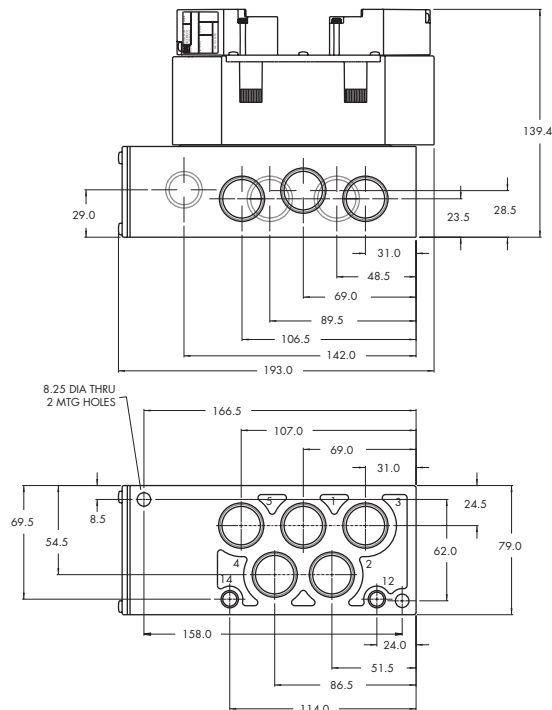
|  |   |
|--|---|
| <b>Fluid :</b>                                 | Compressed air, vacuum, inert gases   |
| <b>Pressure range :</b>                        | Internal pilot: 20 to 120 PSI<br>External pilot : vacuum to 120 PSI                     |
| <b>Pilot pressure :</b>                        | Single/double operator : 20 to 120 PSI, 3 positions : 30 to 120 PSI                     |
| <b>Lubrication :</b>                           | Not required, if used select a medium aniline point lubricant (between 180°F and 210°F) |
| <b>Filtration :</b>                            | 40 μ  |
| <b>Temperature range :</b>                     | 0°F to 120°F (-18°C to +50°C)   |
| <b>Flow :</b>                                  | 1/2": (5.4 C <sub>v</sub> ) – 3/4": (6.1 C <sub>v</sub> )                               |
| <b>Coil :</b>                                  | Class A continuous duty, #22 AWG leads  |
| <b>Voltage range :</b>                         | -15% to +10% of nominal voltage   |
| <b>Protection :</b>                            | Consult factory   |
| <b>Power :</b>                                 | ~ Inrush 7.6 VA    Holding: 4.8 VA<br>= 12.7 to 1.0 W                                   |
| <b>Response times :</b><br><b>(5.4 W coil)</b> | Energize : 16.2 ms<br>De-energize : 13.6 ms   |

Options :                    • Sandwich regulator, see „Regulators’ section

Spare parts :             • Pilot valve: DMB-DxxP-xxx • Valve to base pressure seal: 16614  
                                  • Valve mounting screws (x4): 35451

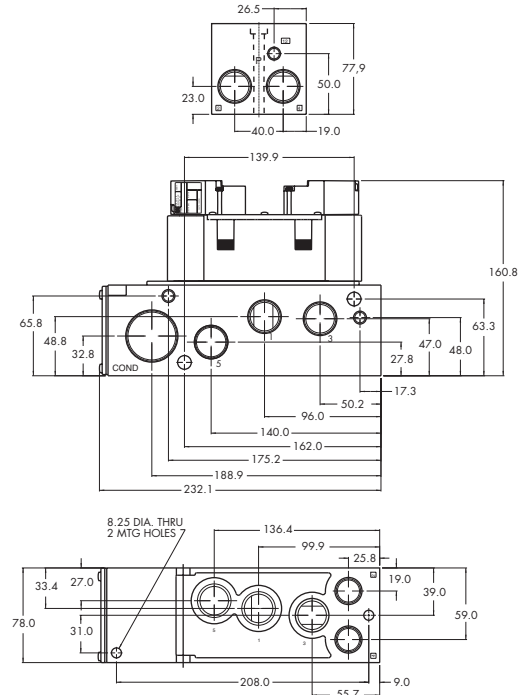
**DIMENSIONS**

**Individual base**



Dimensions shown are metric (mm)

**Manifold base**







## Section 2

## Remote air valves

---





# R e m o t e a i r v a l v e s

| Function         | Port size                   | Flow [Max] Cv | Individual mounting |                        |                      | Manifold mounting    | Series       |
|------------------|-----------------------------|---------------|---------------------|------------------------|----------------------|----------------------|--------------|
|                  |                             |               | Inline              | Sub-base non "plug-in" | Valve only - no base | Valve only - no base |              |
| <b>5/2 - 5/3</b> | <b>1/8" - 1/4"</b>          | <b>1.0</b>    | P. 203              | P. 205                 |                      |                      | <b>400</b>   |
| <b>3/2</b>       | <b>3/4" - 1"</b>            | <b>20.0</b>   | P. 209              |                        |                      |                      | <b>67</b>    |
| <b>3/2 - 2/2</b> | <b>1 1/2" - 2" - 2 1/2"</b> | <b>60.0</b>   | P. 213              |                        |                      |                      | <b>69</b>    |
| <b>5/2 - 5/3</b> | <b>3/8" - 1/2"</b>          | <b>3.1</b>    |                     |                        | P. 217               | P. 217               | <b>ISO 2</b> |
| <b>5/2 - 5/3</b> | <b>1/2" - 3/4"</b>          | <b>6.2</b>    |                     |                        | P. 221               | P. 221               | <b>ISO 3</b> |



R e m o t e   a i r   v a l v e s

Individual mounting

Series

|        |                        |
|--------|------------------------|
| Inline | Sub-base non "plug-in" |
|--------|------------------------|

**400**

**67**

**69**

**ISO 2**

**ISO 3**



# R e m o t e a i r v a l v e s

| Function         | Port size          | Flow (Max)               | Individual mounting | Series |
|------------------|--------------------|--------------------------|---------------------|--------|
| <b>5/2 - 5/3</b> | <b>1/8" - 1/4"</b> | <b>1.0 C<sub>v</sub></b> | Inline              |        |

### OPERATIONAL BENEFITS

1. Balanced spool, immune to variations of pressure, also provides high flow.
2. Bonded spool with minimum friction, shifting in a glass-like finished bore.
3. Wiping effect eliminates sticking.
4. Long service life.
5. Short stroke with high flow.



**400**

**67**

**69**

**ISO 2**

**ISO 3**

### HOW TO ORDER

#### SINGLE PRESSURE VALVES

| Pilot air        | 5/2<br>Single operator | 5/2<br>Double operator | 5/3<br>Closed center | 5/3<br>Open center | 5/3<br>Pressure center |
|------------------|------------------------|------------------------|----------------------|--------------------|------------------------|
|                  |                        |                        |                      |                    |                        |
| <b>1/8" NPTF</b> | 411A-AOH-RA Mod 1493   | 421A-AOH-RA            | 451A-AOH-RA          | 461A-AOH-RA        | 471A-AOH-RA            |
| <b>1/4" NPTF</b> | 411A-BOH-RA Mod 1493   | 421A-BOH-RA            | 451A-BOH-RA          | 461A-BOH-RA        | 471A-BOH-RA            |

#### DUAL PRESSURE VALVES

| Port size        | 5/2<br>Double operator |
|------------------|------------------------|
|                  |                        |
| <b>1/8" NPTF</b> | 441A-AOH-RA            |
| <b>1/4" NPTF</b> | 441A-BOH-RA            |

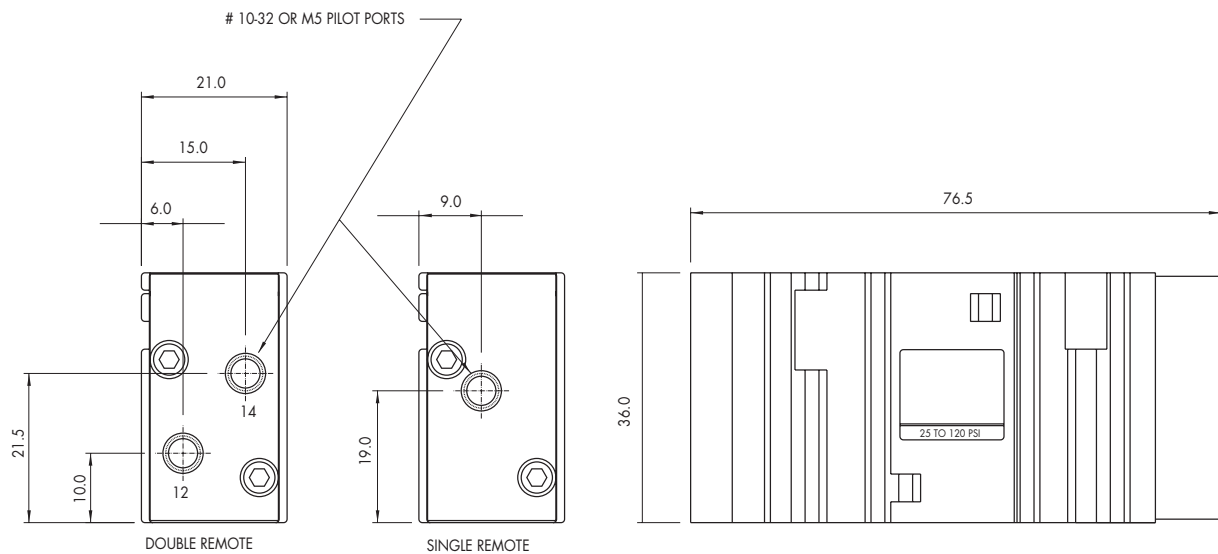
**TECHNICAL DATA**

|                              |   |
|------------------------------|---|
| <b>Fluid :</b>               | Compressed air, vacuum, inert gases   |
| <b>Pressure range :</b>      | Single operator: vacuum to 100 PSI Double operator: vacuum to 150 PSI                   |
| <b>Air signal pressure :</b> | Single oper.: 40 to 150 PSI Double oper., 2 pos.: 20 to 150 PSI, 3 pos.: 35 to 150 PSI  |
| <b>Lubrication :</b>         | Not required, if used select a medium aniline point lubricant (between 180°F and 210°F) |
| <b>Filtration :</b>          | 40 $\mu$  |
| <b>Temperature range :</b>   | 0°F to 120°F (-18°C to 50°C)  |
| <b>Flow :</b>                | 1.0 C <sub>v</sub>  |
| <b>Note :</b>                | Air signal must be $\geq$ main valve pressure   |

Option : • BSPP threads

**DIMENSIONS**

Dimensions shown are metric (mm)





# R e m o t e a i r v a l v e s

| Function         | Port size          | Flow [Max]               | Individual mounting    | Series |
|------------------|--------------------|--------------------------|------------------------|--------|
| <b>5/2 - 5/3</b> | <b>1/8" - 1/4"</b> | <b>1.0 C<sub>v</sub></b> | Sub-base non "plug-in" |        |

### OPERATIONAL BENEFITS

1. Balanced spool, immune to variations of pressure, also provides high flow.
2. Bonded spool with minimum friction, shifting in a glass-like finished bore.
3. Wiping effect eliminates sticking.
4. Long service life.
5. Short stroke with high flow.



**400**

**67**

**69**

**ISO 2**

**ISO 3**

### HOW TO ORDER

#### SINGLE PRESSURE VALVES

| Port size              | 5/2 Single operator  | 5/2 Double operator | 5/3 Closed center | 5/3 Open center | 5/3 Pressure center |
|------------------------|----------------------|---------------------|-------------------|-----------------|---------------------|
|                        |                      |                     |                   |                 |                     |
| <b>Valve less base</b> | 413A-00H-RA          | 423A-00H-RA         | 453A-00H-RA       | 463A-00H-RA     | 473A-00H-RA         |
| <b>1/8" NPTF</b>       | 413A-AAH-RA Mod 1493 | 423A-AAH-RA         | 453A-AAH-RA       | 463A-AAH-RA     | 473A-AAH-RA         |
| <b>1/4" NPTF</b>       | 413A-BAH-RA Mod 1493 | 423A-BAH-RA         | 453A-BAH-RA       | 463A-BAH-RA     | 473A-BAH-RA         |

#### DUAL PRESSURE VALVES

| Port size        | 5/2 Double operator |
|------------------|---------------------|
|                  |                     |
| <b>1/8" NPTF</b> | 443A-AAH-RA         |
| <b>1/4" NPTF</b> | 443A-BAH-RA         |

### OPTIONS

423A-AAH-RA

↳ **B** for base with flow controls

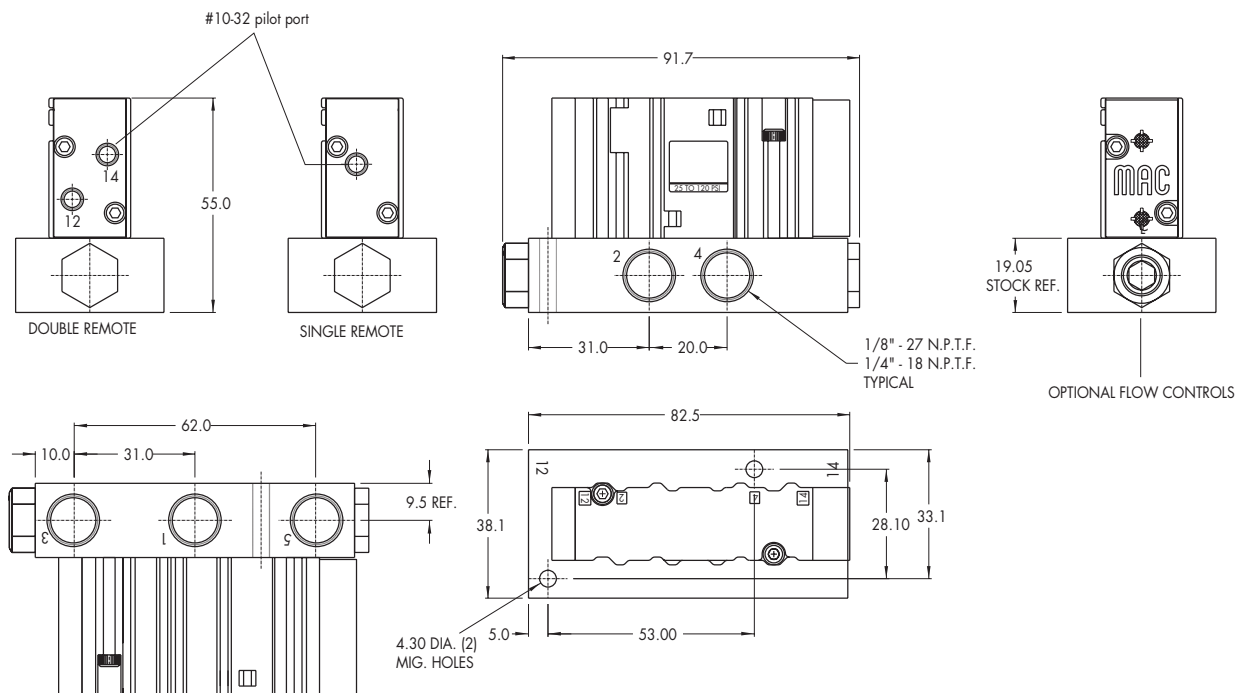
**TECHNICAL DATA**

|                              |   |
|------------------------------|---|
| <b>Fluid :</b>               | Compressed air, vacuum, inert gases   |
| <b>Pressure range :</b>      | Single operator: vacuum to 100 PSI Double operator: vacuum to 150 PSI                   |
| <b>Air signal pressure :</b> | Single oper.: 40 to 150 PSI Double oper., 2 pos.: 20 to 150 PSI, 3 pos.: 35 to 150 PSI  |
| <b>Lubrication :</b>         | Not required, if used select a medium aniline point lubricant (between 180°F and 210°F) |
| <b>Filtration :</b>          | 40 $\mu$  |
| <b>Temperature range :</b>   | 0°F to 120°F (-18°C to 50°C)  |
| <b>Flow :</b>                | 1.0 C <sub>v</sub>  |
| <b>Note :</b>                | Air signal must be $\geq$ main valve pressure   |

- Options :
- BSPP threads
- Spare parts :
- Valve to base pressure seal: 16525
  - Valve mounting screw (x2): 35043
  - Flow control assembly (x2): N-04001

**DIMENSIONS**

Dimensions shown are metric (mm)







R e m o t e a i r v a l v e s

Individual mounting

Series

Inline

400

**67**

69

ISO 2

ISO 3

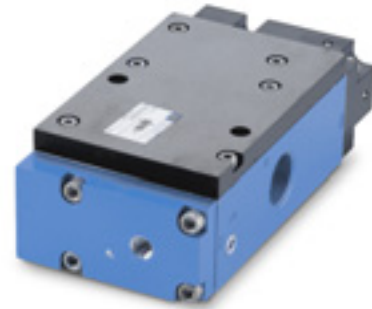


# R e m o t e a i r v a l v e s

| Function   | Port size        | Flow (Max)                | Individual mounting | Series |
|------------|------------------|---------------------------|---------------------|--------|
| <b>3/2</b> | <b>3/4" - 1"</b> | <b>20.0 C<sub>v</sub></b> | Inline              |        |

### OPERATIONAL BENEFITS

1. Balanced spool, immune to variations of pressure.
2. Powerful return forces thanks to the combination of mechanical and air springs.
3. Bonded spool with minimum friction, shifting in a glass like finished bore.
4. Wiping effect eliminates sticking.
5. Long service life.



400

**67**

69

ISO 2

ISO 3

### HOW TO ORDER

| Port size        | Pilot air | Single Operator |               | Double Operator |               |
|------------------|-----------|-----------------|---------------|-----------------|---------------|
|                  |           | NO Valve        | NC Valve      | NO Valve        | NC Valve      |
|                  |           |                 |               |                 |               |
| <b>3/4" NPTF</b> | Internal  | 67A-C3-ARA-RA   | 67A-A3-ARA-RA | 67A-D4-ARA-RA   | 67A-B4-ARA-RA |
| <b>1" NPTF</b>   |           | 67A-C3-BRA-RA   | 67A-A3-BRA-RA | 67A-D4-BRA-RA   | 67A-B4-BRA-RA |
| <b>3/4" NPTF</b> | External  | 67A-C3-ARB-RE   | 67A-A3-ARB-RE | -               | -             |
| <b>1" NPTF</b>   |           | 67A-C3-BRB-RE   | 67A-A3-BRB-RE | -               | -             |

Note : Designation 'RE' required on remote air models with main valve pressures of vacuum to 20 PSI.

'RE' provides an external pilot and should have a pressure range of 20 - 75 PSI. Since the external pilot supplies the air spring, it must not exceed the remote air pilot pressure.

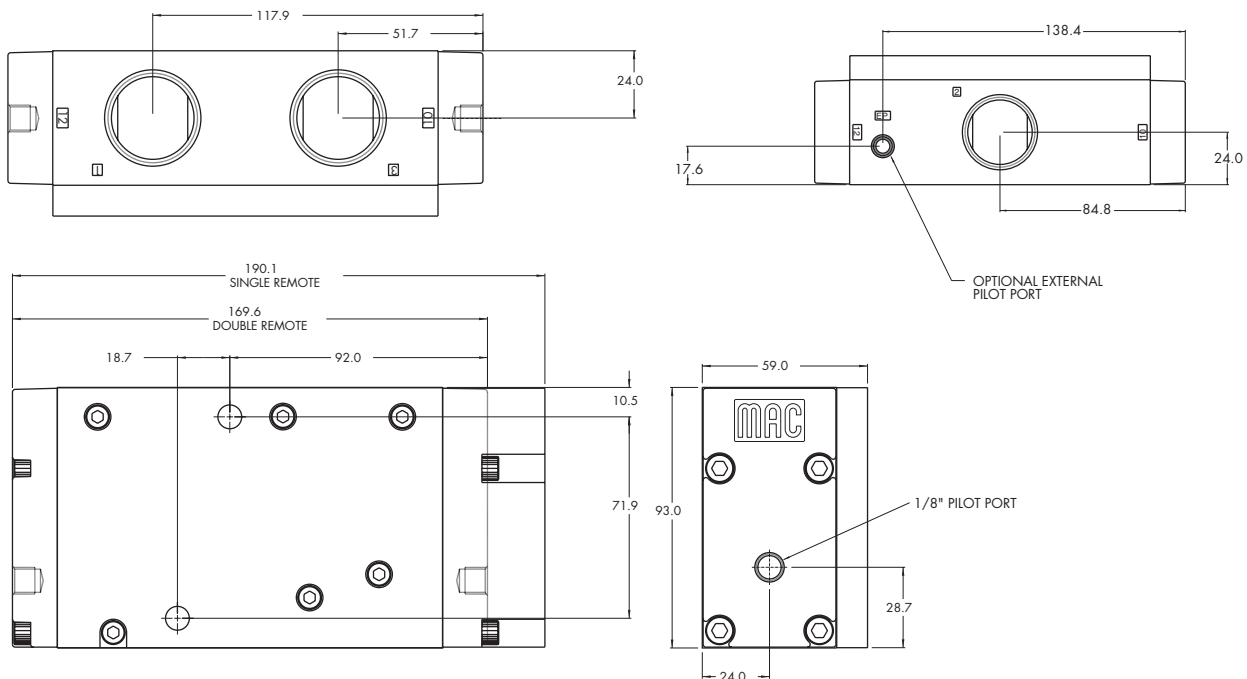
**TECHNICAL DATA**

|                              |  |
|------------------------------|--|
| <b>Fluid :</b>               | Compressed air, vacuum, inert gases  |
| <b>Pressure range :</b>      | Vacuum to 150 PSI  |
| <b>Air signal pressure :</b> | 20 to 150 PSI (must be $\geq$ main valve pressure)                                     |
| <b>Lubrication :</b>         | Not required, if used select a medium aniline point lubricant (between 180°F to 210°F) |
| <b>Filtration :</b>          | 40 $\mu$   |
| <b>Temperature range :</b>   | 0°F to 120°F (-18°C to 50°C)   |
| <b>Flow :</b>                | 3/4" : (14.5 C <sub>v</sub> ) - 1" : (20.0 C <sub>v</sub> )                            |

Options : • BSPP threads

**DIMENSIONS**

Dimensions shown are metric (mm)





R e m o t e a i r v a l v e s

Individual mounting

Series

Inline

400

67

**69**

ISO 2

ISO 3

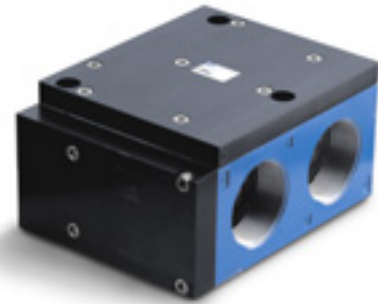


# R e m o t e a i r v a l v e s

| Function                    | Port size                   | Flow (Max)                | Individual mounting | Series |
|-----------------------------|-----------------------------|---------------------------|---------------------|--------|
| <b>3/2 NO-NC, 2/2 NO-NC</b> | <b>1 1/2" - 2" - 2 1/2"</b> | <b>60.0 C<sub>v</sub></b> | Inline              |        |

### OPERATIONAL BENEFITS

1. Balanced spool, immune to variations of pressure
2. Bonded spool with minimum friction, shifting in a glass like finished bore
3. Wiping effect eliminates sticking and contamination
4. Long service life



400

67

69

ISO 2

ISO 3

### HOW TO ORDER

#### SINGLE OPERATOR

| Port size     | Air Spring | Single Operator NO valve | Single Operator NC valve |
|---------------|------------|--------------------------|--------------------------|
|               |            |                          |                          |
| <b>1 1/2"</b> | Internal   | 69A-C3-ARA-RA            | 69A-A3-ARA-RA            |
| <b>2"</b>     |            | 69A-C3-BRA-RA            | 69A-A3-BRA-RA            |
| <b>2 1/2"</b> |            | 69A-C3-CRA-RA            | 69A-A3-CRA-RA            |
| <b>1 1/2"</b> | External   | 69A-C3-ARB-RE            | 69A-A3-ARB-RE            |
| <b>2"</b>     |            | 69A-C3-BRB-RE            | 69A-A3-BRB-RE            |
| <b>2 1/2"</b> |            | 69A-C3-CRB-RE            | 69A-A3-CRB-RE            |

#### DOUBLE OPERATOR

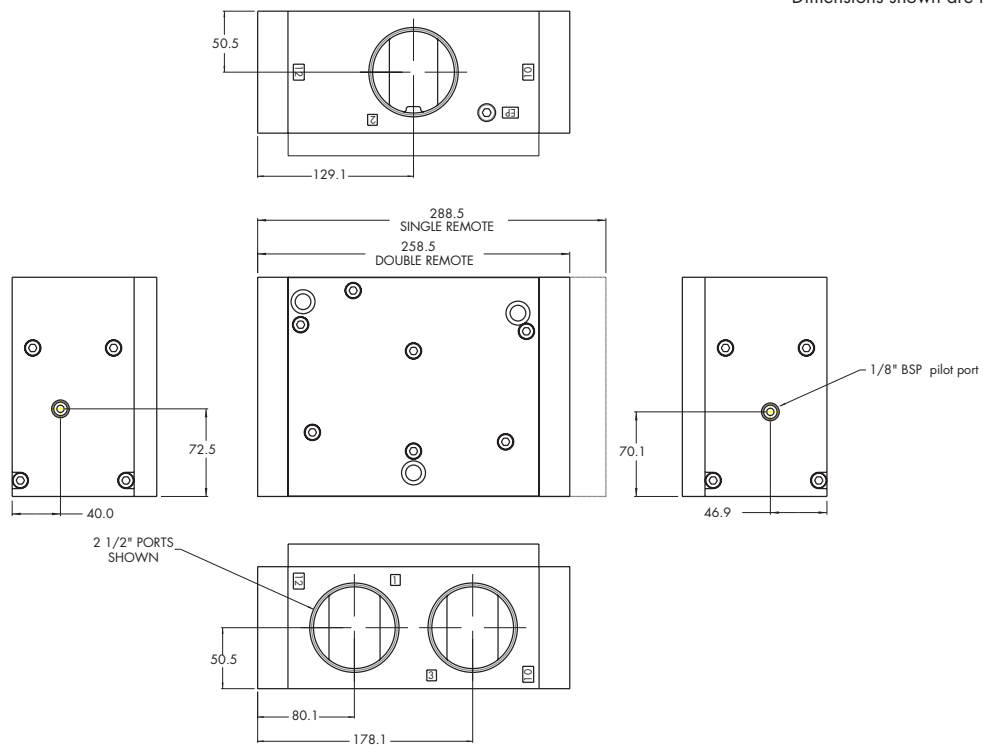
| Port size     | Double Operator NO valve | Double Operator NC valve |
|---------------|--------------------------|--------------------------|
|               |                          |                          |
| <b>1 1/2"</b> | 69A-D4-ARB-RA            | 69A-B4-ARB-RA            |
| <b>2"</b>     | 69A-D4-BRB-RA            | 69A-B4-BRB-RA            |
| <b>2 1/2"</b> | 69A-D4-CRB-RA            | 69A-B4-CRB-RA            |

**TECHNICAL DATA**

|                              |  |
|------------------------------|--|
| <b>Fluid :</b>               | Compressed air, vacuum, inert gases  |
| <b>Pressure range :</b>      | Vacuum to 150 PSI  |
| <b>Air signal pressure :</b> | 20 to 150 PSI (must be $\geq$ main valve pressure)                                     |
| <b>Lubrication :</b>         | Not required, if used select a medium aniline point lubricant (between 180°F to 210°F) |
| <b>Filtration :</b>          | 40 $\mu$   |
| <b>Temperature range :</b>   | 0°F to 120°F (-18°C to 50°C)   |
| <b>Flow :</b>                | Cv 60.0  |

**DIMENSIONS**

Dimensions shown are metric (mm)





R e m o t e a i r v a l v e s

Individual mounting

Valve only -  
no base

Series

400

67

69

**ISO 2**

ISO 3

Manifold mounting

Valve only -  
no base

| Function         | Port size          | Flow [Max]               | Individual/Manifold mounting | Series |
|------------------|--------------------|--------------------------|------------------------------|--------|
| <b>5/2 - 5/3</b> | <b>3/8" - 1/2"</b> | <b>3.1 C<sub>v</sub></b> | Valve only - no base         |        |

**OPERATIONAL BENEFITS**

1. Balanced spool, immune to variations of pressure.
2. Powerful return forces thanks to the combination of mechanical and air springs.
3. Bonded spool with minimum friction, shifting in a glass-like finished bore.
4. Wiping effect eliminates sticking.
5. Long service life.



**400**

**67**

**69**

**ISO 2**

**ISO 3**

**HOW TO ORDER**

**SINGLE PRESSURE MODELS**

| Air spring | 5/2 Single operator | 5/2 Double operator | 5/3 Closed center | 5/3 Open center |
|------------|---------------------|---------------------|-------------------|-----------------|
| Internal   | MV-R2A-BACF         | MV-R2A-BBAK         | MV-R2A-BEAK       | MV-R2A-BFAK     |
| External   | MV-R2A-BACG         |                     |                   |                 |

**DUAL PRESSURE MODELS**

| Air spring       | 5/2 Single operator | 5/2 Double operator | 5/3 Open center | 5/3 Pressure center |
|------------------|---------------------|---------------------|-----------------|---------------------|
| Internal port #3 | MV-R2A-BCCH         |                     | MV-R2A-BHAK     | MV-R2A-BGAK         |
| Internal port #5 | MV-R2A-BCCJ         | MV-R2A-BDAK         |                 |                     |
| External         | MV-R2A-BCCG         |                     |                 |                     |

Note: ISO series, valve and base are ordered separately, see page 235 for base code.



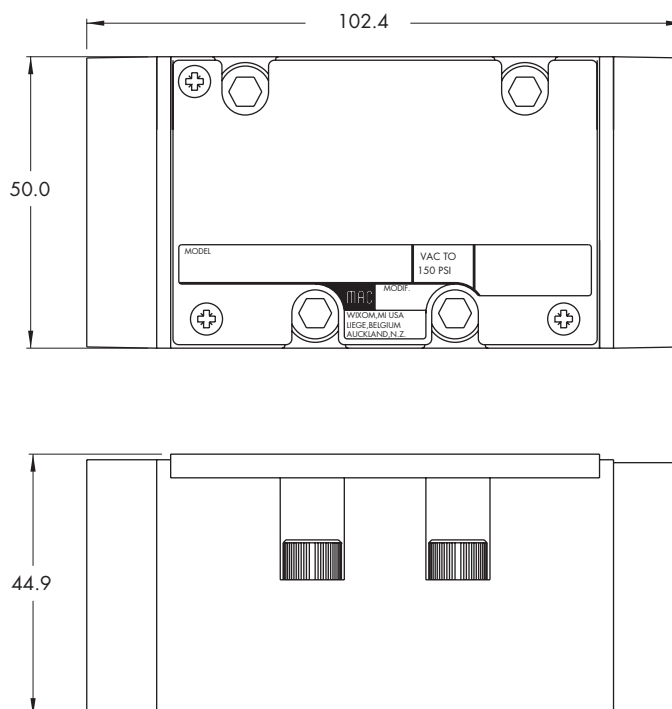
**TECHNICAL DATA**

|                              |   |
|------------------------------|---|
| <b>Fluid :</b>               | Compressed air, vacuum, inert gases   |
| <b>Pressure range :</b>      | Vacuum to 150 PSI   |
| <b>Air signal pressure :</b> | Single/double operator: 20 to 150 PSI 3 position: 30 to 150 PSI                         |
| <b>Lubrication :</b>         | Not required, if used select a medium aniline point lubricant (between 180°F and 210°F) |
| <b>Filtration :</b>          | 40 µ  |
| <b>Temperature range :</b>   | 0°F to 120°F (-18°C to 50°C)  |
| <b>Flow :</b>                | 3/8" : (2.8 Cv) - 1/2" : (3.1 Cv)   |

Spare parts : • Valve to base pressure seal: 16576 • Valve mounting screws (x4): 35413

**DIMENSIONS**

Dimensions shown are metric (mm)





# R e m o t e a i r v a l v e s

## Individual mounting

Valve only -  
no base

Series

**400**

**67**

**69**

**ISO 2**

**ISO 3**

## Manifold mounting

Valve only -  
no base

| Function         | Port size          | Flow [Max]               | Individual/Manifold mounting | Series |
|------------------|--------------------|--------------------------|------------------------------|--------|
| <b>5/2 - 5/3</b> | <b>1/2" - 3/4"</b> | <b>6.2 C<sub>v</sub></b> | Valve only - no base         |        |

**OPERATIONAL BENEFITS**

1. Balanced spool, immune to variations of pressure.
2. Powerful return forces thanks to the combination of mechanical and air springs.
3. Bonded spool with minimum friction, shifting in a glass-like finished bore.
4. Wiping effect eliminates sticking.
5. Long service life.



**400**

**67**

**69**

**ISO 2**

**ISO 3**

**HOW TO ORDER**

**SINGLE PRESSURE MODELS**

| Air spring | 5/2 Single operator | 5/2 Double operator | 5/3 Closed center | 5/3 Open center |
|------------|---------------------|---------------------|-------------------|-----------------|
| Internal   | MV-R3A-BACF         | MV-R3A-BBAK         | MV-R3A-BEAK       | MV-R3A-BFAK     |
| External   | MV-R3A-BACG         |                     |                   |                 |

**DUAL PRESSURE MODELS**

| Air spring       | 5/2 Single operator | 5/2 Double operator | 5/3 Pressure center |
|------------------|---------------------|---------------------|---------------------|
| Internal port #3 | MV-R3A-BCCH         |                     | MV-R3A-BGAK         |
| Internal port #5 | MV-R3A-BCCJ         | MV-R3A-BDAK         |                     |
| External         | MV-R3A-BCCG         |                     |                     |

Note: ISO series, valve and base are ordered separately, see page 239 for base code.

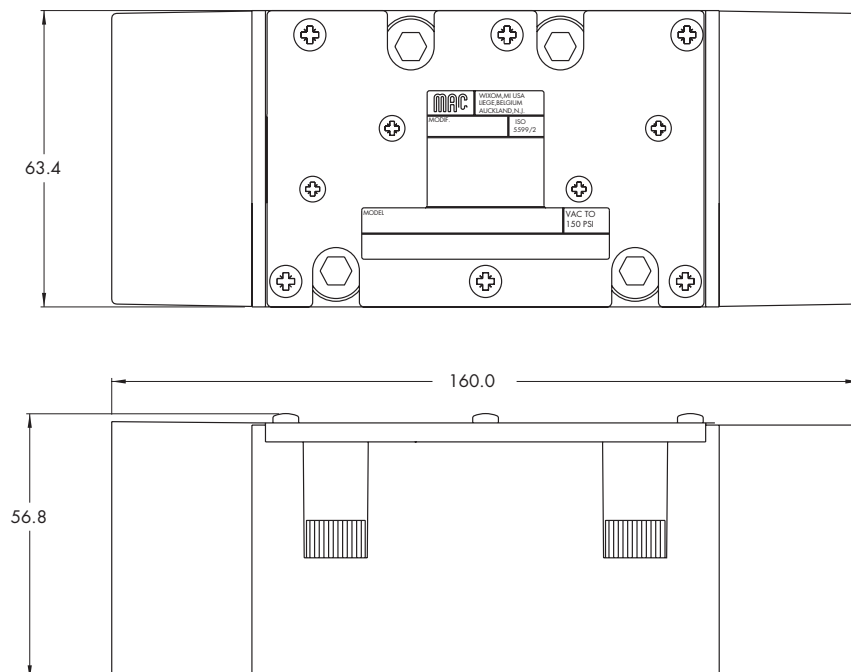
**TECHNICAL DATA**

|                              |   |
|------------------------------|---|
| <b>Fluid :</b>               | Compressed air, vacuum, inert gases   |
| <b>Pressure range :</b>      | Vacuum to 150 PSI   |
| <b>Air signal pressure :</b> | Single/double operator: 20 to 150 PSI 3 position: 30 to 150 PSI                         |
| <b>Lubrication :</b>         | Not required, if used select a medium aniline point lubricant (between 180°F and 210°F) |
| <b>Filtration :</b>          | 40 µ  |
| <b>Temperature range :</b>   | 0°F to 120°F (-18°C to 50°C)  |
| <b>Flow :</b>                | 1/2" : (5.4 C <sub>v</sub> ) - 3/4" : (6.2 C <sub>v</sub> )                             |

Spare parts : • Valve to base pressure seal: 16614 • Valve mounting screws (x4): 35451

**DIMENSIONS**

Dimensions shown are metric (mm)





## Section 3

## Bases according to ISO standards

---



# Bases according to ISO STANDARDS

|  |                             |                         | Series        |
|--|-----------------------------|-------------------------|---------------|
| Non plug-in individual / manifold base | Non plug-in base / manifold | Plug-in base / manifold |               |
| P. 227                                 |                             |                         | <b>ISO 01</b> |
| P. 229                                 |                             |                         | <b>ISO 02</b> |
|  | P. 231                      | P. 233                  | <b>ISO 1</b>  |
|  | P. 235                      | P. 237                  | <b>ISO 2</b>  |
|  | P. 239                      | P. 241                  | <b>ISO 3</b>  |

**Non plug-in individual / manifold base**



ISO 01

ISO 02

ISO 1

ISO 2

ISO 3

**HOW TO ORDER**

INDIVIDUAL BASE

| Port size | Pilot air | Side ports  | Bottom 2 & 4 ports<br>With all side ports |
|-----------|-----------|-------------|---|
| 1/4" NPTF | Internal  | MB-A01A-121 | MB-A01A-122                               |

MANIFOLD BASE

| Port size | Pilot air | Side ports  | Bottom 2 & 4 ports<br>With side 1, 3 & 5 ports |
|-----------|-----------|-------------|--|
| 1/4" NPTF | Internal  | MM-A01A-121 | MM-A01A-122                                    |

Notes:

- For manifold bases external pilot is common
- A base is ordered as internal pilot and can be changed into external pilot by removing pipe plugs from the external pilot ports (individual base).
- Manifold base: same base for internal and external pilot, different end plate kits.

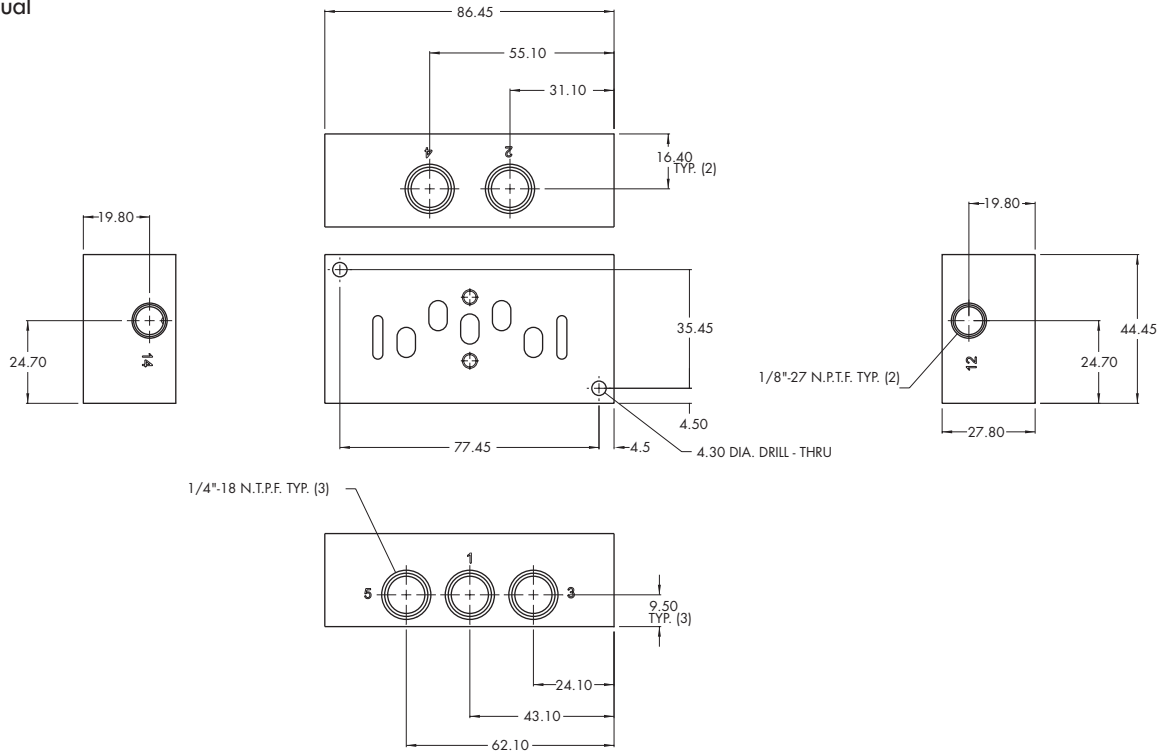
End plate kit: Internal pilot M-00017-01-01  
External pilot M-00017-02-01

Inlet/exhaust isolator: 28413

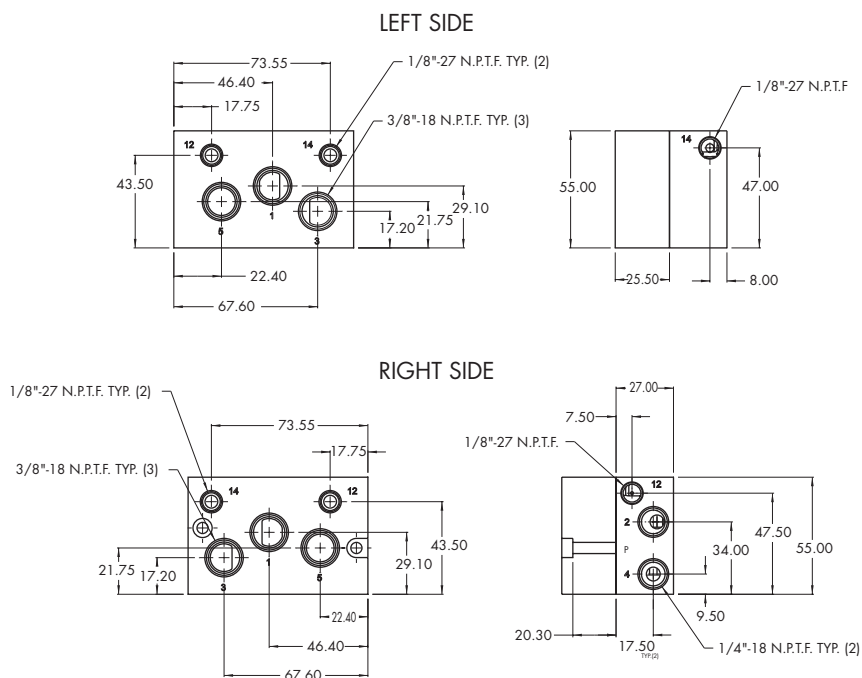
**DIMENSIONS**

Dimensions shown are metric (mm)

Individual



Manifold





**Non plug-in individual / manifold base**



ISO 01  
**ISO 02**  
 ISO 1  
 ISO 2  
 ISO 3

**HOW TO ORDER**

INDIVIDUAL BASE

| Port size | Pilot air | Side ports  | Bottom 2 & 4 ports<br>With all side ports |
|-----------|-----------|-------------|---|
| 1/8" NPTF | Internal  | MB-A02A-111 | MB-A02A-112                               |

MANIFOLD BASE

| Port size | Pilot air | Side ports  | Bottom 2 & 4 ports<br>With side 1, 3 & 5 ports |
|-----------|-----------|-------------|--|
| 1/8" NPTF | Internal  | MM-A02A-111 | MM-A02A-112                                    |

Notes:

- For manifold bases external pilot is common
- A base is ordered as internal pilot and can be changed into external pilot by removing pipe plugs from the external pilot ports (individual base).
- Manifold base: same base for internal and external pilot, different end plate kits.

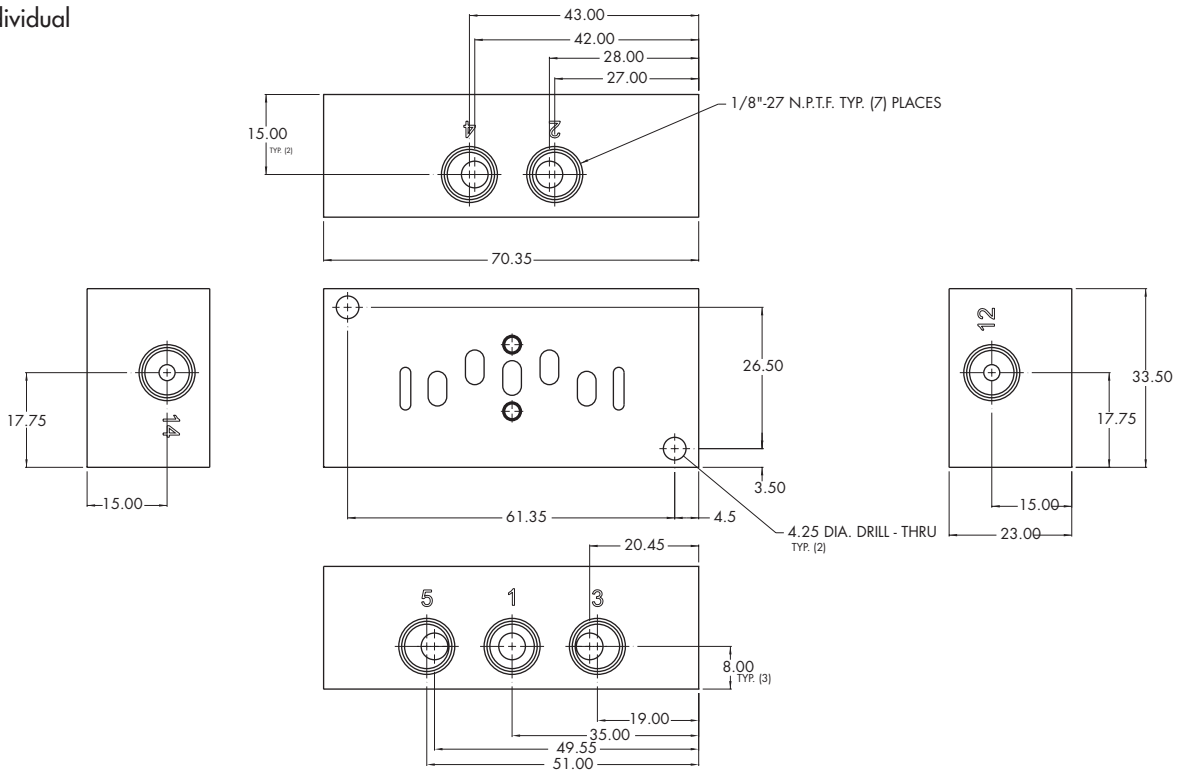
End plate kit: Internal pilot M-00018-01-01  
 External pilot M-00018-02-01

Inlet/exhaust isolator: 28499

**DIMENSIONS**

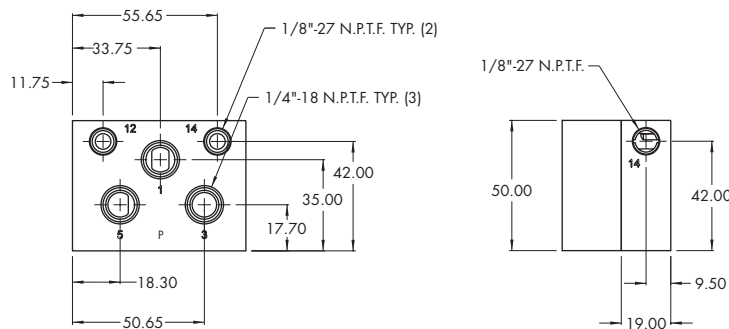
Dimensions shown are metric (mm)

Individual

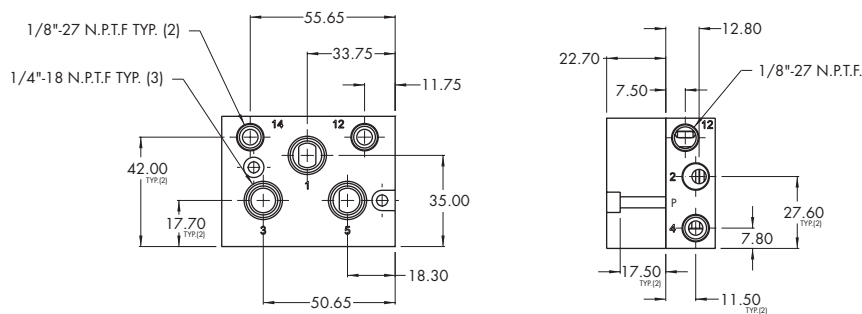


Manifold

LEFT SIDE



RIGHT SIDE



**Non plug-in base / manifold**

- ISO 01
- ISO 02
- ISO 1**
- ISO 2
- ISO 3



**HOW TO ORDER**

INDIVIDUAL BASE

| Port size        | Side ports | Side & bottom ports | Bottom cylinder ports 2 and 4. | Bottom inlet port 1 |
|------------------|------------|---------------------|--------------------------------|---------------------|
| <b>1/4" NPTF</b> | MB-A1C-221 | MB-A1C-223          | MB-A1C-222                     | MB-A1C-224          |
| <b>3/8" NPTF</b> | MB-A1C-231 | MB-A1C-233          | MB-A1C-232                     | MB-A1C-234          |

MANIFOLD BASE

| Port size        | Side ports | Side & bottom ports | Bottom cylinder ports 2 and 4. | Bottom inlet port 1 |
|------------------|------------|---------------------|--------------------------------|---------------------|
| <b>1/4" NPTF</b> | MM-A1C-221 | MM-A1C-223          | MM-A1C-222                     | MM-A1C-224          |
| <b>3/8" NPTF</b> | MM-A1C-231 | MM-A1C-233          | MM-A1C-232                     | MM-A1C-234          |

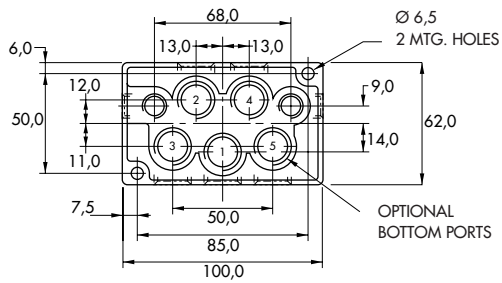
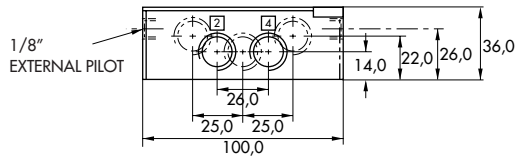
Manifold fastening kit : N-63002-01.  
 Valve blanking plate: MA1003.  
 Inlet/exhaust isolator plug: 32835.

**DIMENSIONS**

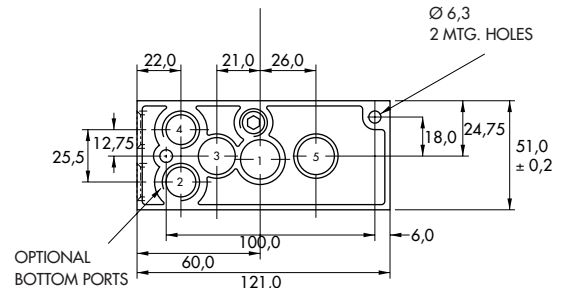
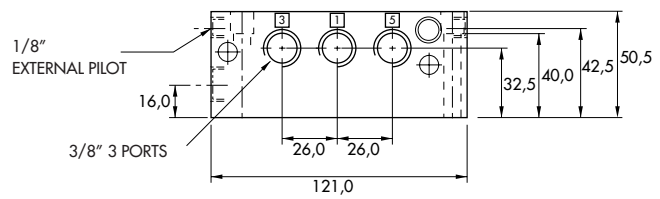
Dimensions shown are metric (mm)

**Individual**

**DIN 5599/1**



**Manifold**



Plug-in base / manifold

- ISO 01
- ISO 02
- ISO 1**
- ISO 2
- ISO 3



HOW TO ORDER

INDIVIDUAL BASE

| Port size | Wired for       | Side ports   | Side ports w/ bottom 2 & 4 ports | All side & bottom ports |
|-----------|-----------------|--------------|----------------------------------|-------------------------|
| 1/4" NPTF | Single solenoid | MB-P1A-221-A | MB-P1A-222-A                     | MB-P1A-223-A            |
|           | Double solenoid | MB-P1A-221-B | MB-P1A-222-B                     | MB-P1A-223-B            |
| 3/8" NPTF | Single solenoid | MB-P1A-231-A | MB-P1A-232-A                     | MB-P1A-233-A            |
|           | Double solenoid | MB-P1A-231-B | MB-P1A-232-B                     | MB-P1A-233-B            |

MANIFOLD BASE

| Port size | Wired for       | Side ports   | Side ports w/ bottom 2 & 4 ports | All side & bottom ports (see note) |
|-----------|-----------------|--------------|----------------------------------|------------------------------------|
| 1/4" NPTF | Single solenoid | MM-P1A-221-A | MM-P1A-222-A                     | MM-P1A-223-A                       |
|           | Double solenoid | MM-P1A-221-B | MM-P1A-222-B                     | MM-P1A-223-B                       |
| 3/8" NPTF | Single solenoid | MM-P1A-231-A | MM-P1A-232-A                     | MM-P1A-233-A                       |
|           | Double solenoid | MM-P1A-231-B | MM-P1A-232-B                     | MM-P1A-233-B                       |

Note : Ports 1, 3 & 5 are always 3/8"

OPTIONS

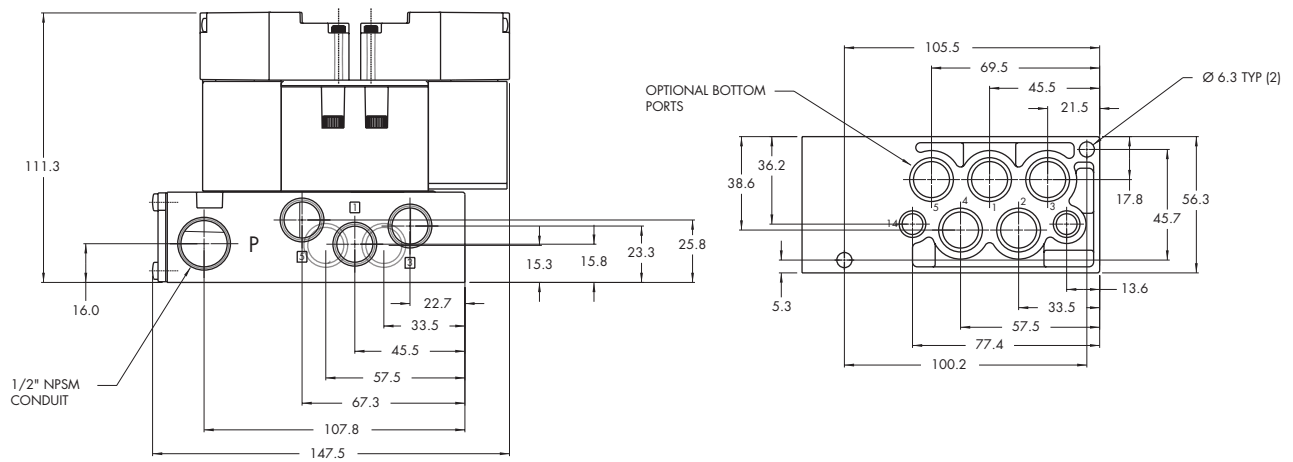
- Manifold options :
- External pilot **MM-P1A-22-x-x**
    - 25** for 1/4" port – common external pilot
    - 26** for 3/8" port – common external pilot
  - Terminal strip **MM-P1A-xxx-A** (N/A with light)
    - J** wired for sgl solenoid
    - K** wired for double solenoid
  - Base / Manifold option: light(s) **MX-P1A-xxx-xJA**
    - JA** 110/120 volt
    - JB** 220/240 volt
    - DA** 24 volt

- Accessories: M-P1001 Valve blanking plate.  
N-P1007-01 Manifold fastening kit.  
32835 Inlet/exhaust isolator plug.

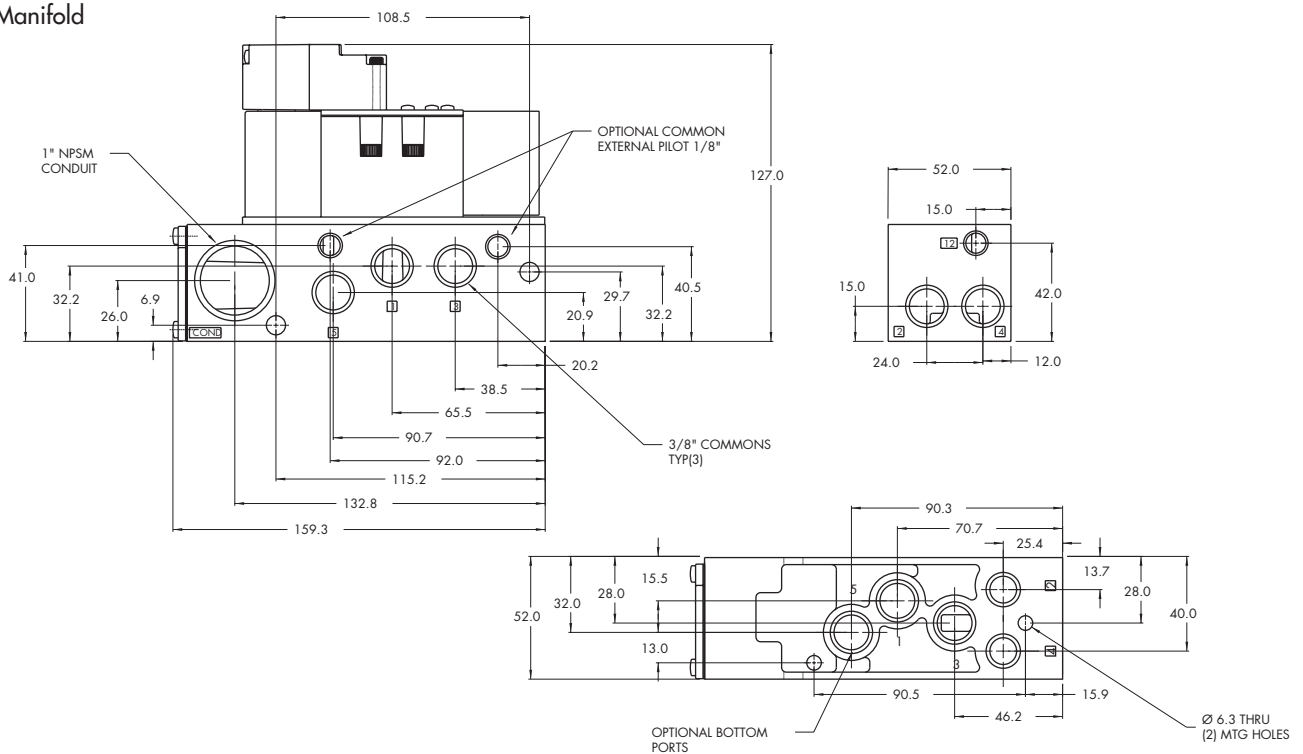
**DIMENSIONS**

Dimensions shown are metric (mm)

Individual



Manifold



**Non plug-in base / manifold**



- ISO 01
- ISO 02
- ISO 1
- ISO 2**
- ISO 3

**HOW TO ORDER**

INDIVIDUAL BASE

| Port size        | Side ports | Bottom ports | Bottom cylinder ports 2 and 4. | Bottom inlet port 1 |
|------------------|------------|--------------|--------------------------------|---------------------|
| <b>3/8" NPTF</b> | MB-A2B-221 | MB-A2B-223   | MB-A2B-222                     | MB-A2B-224          |
| <b>1/2" NPTF</b> | MB-A2B-231 | MB-A2B-233   | MB-A2B-232                     | MB-A2B-234          |

MANIFOLD BASE

| Port size        | Side ports | Bottom ports | Bottom cylinder ports 2 and 4. | Bottom inlet port 1 |
|------------------|------------|--------------|--------------------------------|---------------------|
| <b>3/8" NPTF</b> | MM-A2B-221 | MM-A2B-223   | MM-A2B-222                     | MM-A2B-224          |
| <b>1/2" NPTF</b> | MM-A2B-231 | MM-A2B-233   | MM-A2B-232                     | MM-A2B-234          |

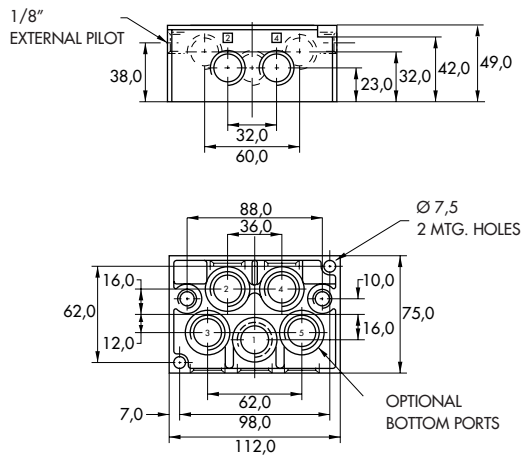
Manifold fastening kit : N-63002-01.  
 Valve blanking plate: MA2003.  
 Inlet/exhaust isolator plug: 32839.

**DIMENSIONS**

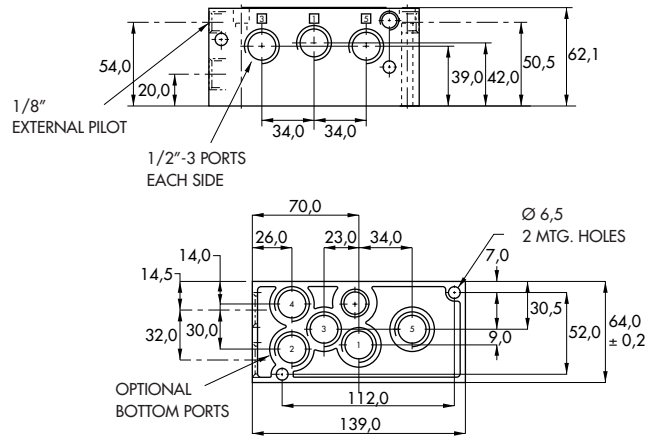
Dimensions shown are metric (mm)

**Individual**

**DIN 5599/1**



**Manifold**





Plug-in base / manifold



ISO 01  
 ISO 02  
 ISO 1  
**ISO 2**  
 ISO 3

HOW TO ORDER

INDIVIDUAL BASE

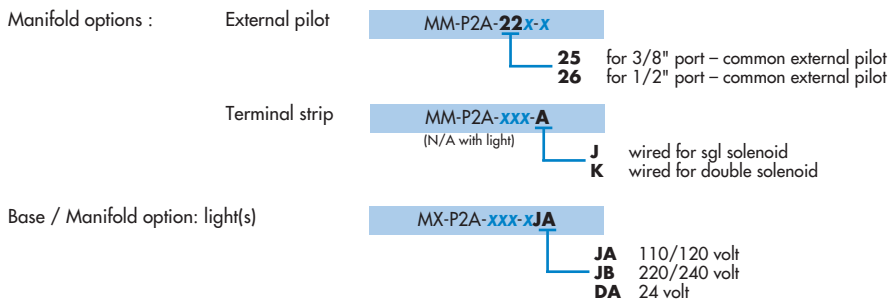
| Port size        | Wired for       | Side ports   | Side ports w/ bottom 2 & 4 ports | All side & bottom ports |
|------------------|-----------------|--------------|----------------------------------|-------------------------|
| <b>3/8" NPTF</b> | Single solenoid | MB-P2A-221-A | MB-P2A-222-A                     | MB-P2A-223-A            |
|                  | Double solenoid | MB-P2A-221-B | MB-P2A-222-B                     | MB-P2A-223-B            |
| <b>1/2" NPTF</b> | Single solenoid | MB-P2A-231-A | MB-P2A-232-A                     | MB-P2A-233-A            |
|                  | Double solenoid | MB-P2A-231-B | MB-P2A-232-B                     | MB-P2A-233-B            |

MANIFOLD BASE

| Port size        | Wired for       | Side ports   | Side ports w/ bottom 2 & 4 ports | All side & bottom ports (see note) |
|------------------|-----------------|--------------|----------------------------------|------------------------------------|
| <b>3/8" NPTF</b> | Single solenoid | MM-P2A-221-A | MM-P2A-222-A                     | MM-P2A-223-A                       |
|                  | Double solenoid | MM-P2A-221-B | MM-P2A-222-B                     | MM-P2A-223-B                       |
| <b>1/2" NPTF</b> | Single solenoid | MM-P2A-231-A | MM-P2A-232-A                     | MM-P2A-233-A                       |
|                  | Double solenoid | MM-P2A-231-B | MM-P2A-232-B                     | MM-P2A-233-B                       |

Note : Ports 1, 3 & 5 are always 1/2"

OPTIONS

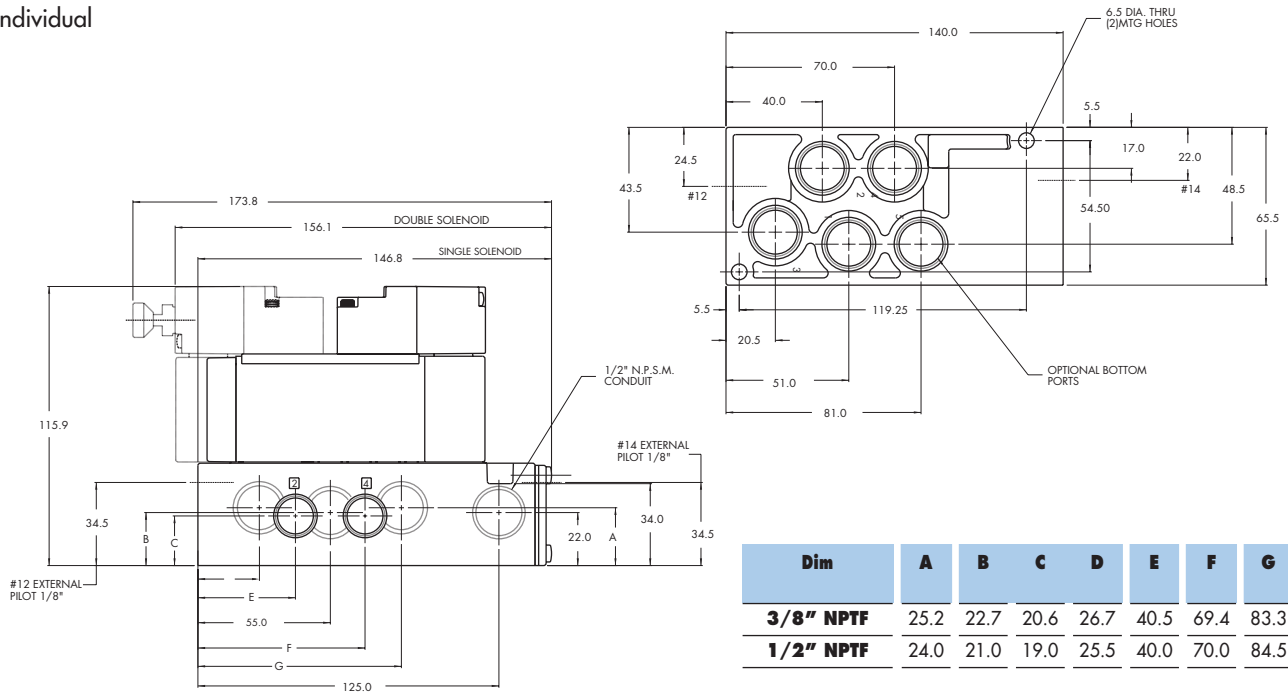


Accessories: M-P2001 Valve blanking plate.  
 N-P2004-01 Manifold fastening kit.  
 32839 Inlet/exhaust isolator plug.

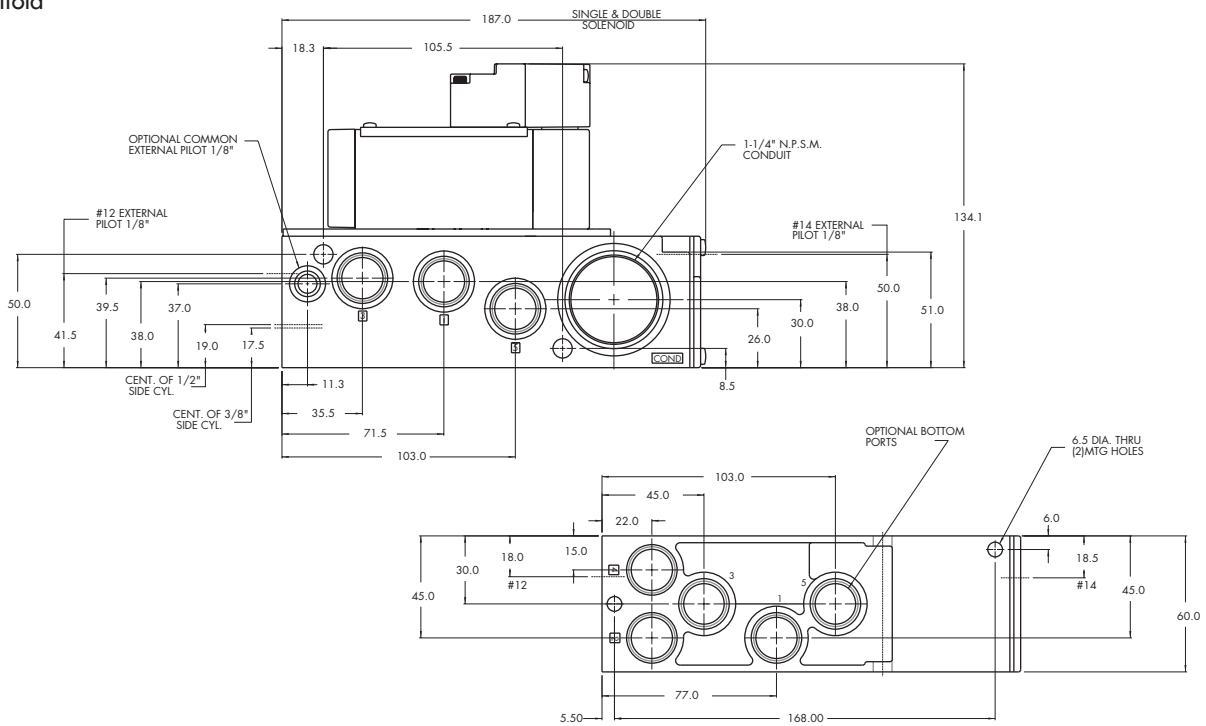
**DIMENSIONS**

Dimensions shown are metric (mm)

Individual



Manifold



**Non plug-in base / manifold**

- ISO 01
- ISO 02
- ISO 1
- ISO 2
- ISO 3**



**HOW TO ORDER**

INDIVIDUAL BASE

| Port size | Side ports | Bottom ports | Bottom cylinder ports 2 and 4. | Bottom inlet port 1 |
|-----------|------------|--------------|--------------------------------|---------------------|
| 1/2" NPTF | MB-A3B-221 | MB-A3B-223   | MB-A3B-222                     | MB-A3B-224          |
| 3/4" NPTF | MB-A3B-231 | MB-A3B-233   | MB-A3B-232                     | MB-A3B-234          |

MANIFOLD BASE

| Port size | Side ports   | Bottom ports | Bottom cylinder ports 2 and 4. | Bottom inlet port 1 |
|-----------|--------------|--------------|--------------------------------|---------------------|
| 1/2" NPTF | MM-B3A-221-A | MM-B3A-223-A | MM-B3A-222-A                   | MM-B3A-224-A        |
| 3/4" NPTF | MM-B3A-231-A | MM-B3A-233-A | MM-B3A-232-A                   | MM-B3A-234-A        |

Manifold fastening kit: N-P3003-01.  
 Valve blanking plate: M-P3001.  
 Inlet/exhaust isolator plug: 32845.

Individual Base Options:

MB-A3B-XXXF  Optional Integral Flow Controls



**Plug-in manifold**



- ISO 01
- ISO 02
- ISO 1
- ISO 2
- ISO 3**

**HOW TO ORDER**

MANIFOLD BASE

| Port size        | Wired for       | Side ports   | Side ports w/ bottom 2 & 4 ports | All side & bottom ports (see note) |
|------------------|-----------------|--------------|----------------------------------|------------------------------------|
| <b>1/2" NPTF</b> | Single solenoid | MM-P3A-221-A | MM-P3A-222-A                     | MM-P3A-223-A                       |
|                  | Double solenoid | MM-P3A-221-B | MM-P3A-222-B                     | MM-P3A-223-B                       |
| <b>3/4" NPTF</b> | Single solenoid | MM-P3A-231-A | MM-P3A-232-A                     | MM-P3A-233-A                       |
|                  | Double solenoid | MM-P3A-231-B | MM-P3A-232-B                     | MM-P3A-233-B                       |

Note : Ports 1, 3 & 5 are always 3/4"

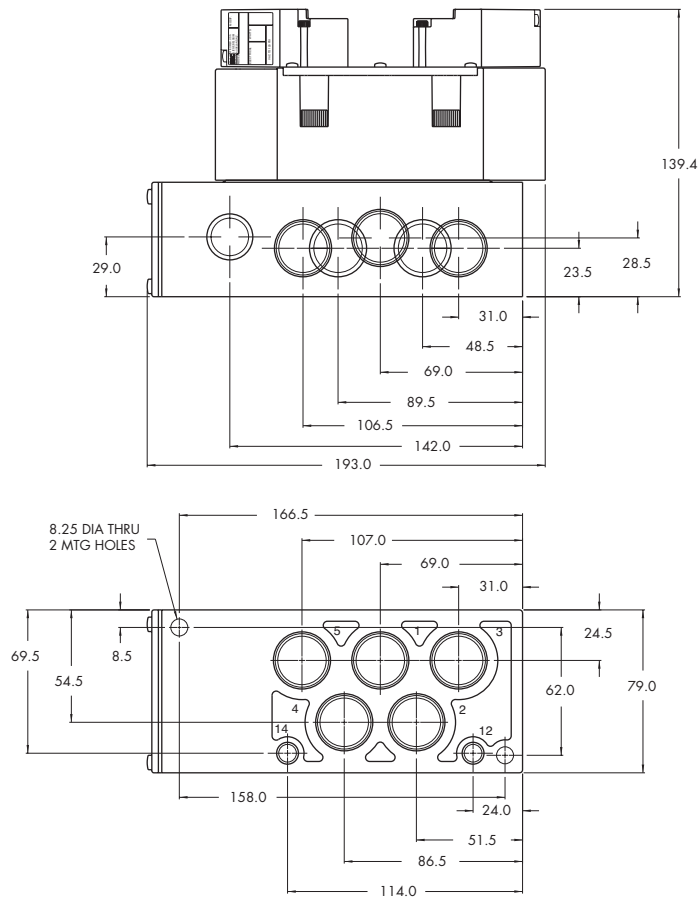
**OPTIONS**

- Manifold options :
- External pilot **MM-P3A-22-x-x**
    - 25** for 1/2" port – common external pilot
    - 26** for 3/4" port – common external pilot
  - Terminal strip **MM-P3A-xxx-A**
    - J** wired for sgl solenoid
    - K** wired for double solenoid
  - light(s) **MM-P3A-xxx-xJA**
    - JA** 110/120 volt
    - JB** 220/240 volt
    - DA** 24 volt

- Accessories:
- M-P3001 Valve blanking plate.
  - N-P3003-01 Manifold fastening kit.
  - 32845 Inlet/exhaust isolator plug.

**DIMENSIONS**

Dimensions shown are metric (mm)





## Section 4

## Pressure regulators

---

|  |        |
|--|--------|
| <b>Sandwich pressure regulator with manual adjust knob</b>             | P. 247 |
| <b>Sandwich pressure regulator with manual adjust knob</b>             | P. 249 |
| <b>Sandwich pressure regulator</b>                                     | P. 251 |
| <b>Sandwich pressure regulator with manual adjust knob</b>             | P. 253 |
| <b>Sandwich pressure regulator with manual adjust knob</b>             | P. 255 |
| <b>Sandwich pressure regulator with air pilot adjust</b>               | P. 257 |
| <b>Sandwich pressure regulator with manual adjust knob</b>             | P. 259 |
| <b>Sandwich pressure regulator with manual adjust knob</b>             | P. 261 |
| <b>Sandwich pressure regulator with air pilot adjust</b>               | P. 263 |
| <b>Sandwich pressure regulator with manual adjust knob</b>             | P. 265 |
| <b>Sandwich pressure regulator with manual adjust knob</b>             | P. 267 |
| <b>Non plug-in sandwich pressure regulator with manual adjust</b>      | P. 269 |
| <b>Plug-in sandwich pressure regulator with air pilot adjust</b>       | P. 271 |
| <b>Non plug-in sandwich pressure regulator with manual adjust</b>      | P. 273 |
| <b>Non plug-in sandwich pressure regulator with manual adjust knob</b> | P. 275 |
| <b>Non plug-in sandwich pressure regulator with air pilot adjust</b>   | P. 277 |
| <b>Plug-in sandwich pressure regulator with manual adjust knob</b>     | P. 279 |
| <b>Plug-in sandwich pressure regulator with air pilot adjust</b>       | P. 281 |
| <b>Non plug-in sandwich pressure regulator with manual adjust knob</b> | P. 283 |
| <b>Non plug-in sandwich pressure regulator with air pilot adjust</b>   | P. 285 |
| <b>Plug-in sandwich pressure regulator with manual adjust knob</b>     | P. 287 |
| <b>Plug-in sandwich pressure regulator with air pilot adjust</b>       | P. 289 |
| <b>Non plug-in sandwich pressure regulator with manual adjust knob</b> | P. 291 |
| <b>Non plug-in sandwich pressure regulator with air pilot adjust</b>   | P. 293 |
| <b>Plug-in sandwich pressure regulator with manual adjust knob</b>     | P. 295 |
| <b>Plug-in sandwich pressure regulator with air pilot adjust</b>       | P. 297 |

**PR37A**

**PR42B**

**PR46A**

**PR47A**

**PR48B**

**PR92C**

**PR93A**

**PRA01A**

**PRA02A**

**PRA1A**

**PRP1A**

**PRA2D**

**PRP2B**

**PRA3C**

**PRP3B**



**Sandwich pressure regulator with manual adjust knob**

**OPERATIONAL BENEFITS**

1. Easy mounting: saves on installation costs in comparison with inline regulators.
2. Compact all-included units.
3. Large orifice provides high flow.
4. Various functions available.
5. Simple, reliable and solid design.



**PR37A**

**PR42B**

**PR46A**

**PR47A**

**PR48B**

**PR92C**

**HOW TO ORDER**

REGULATORS FOR "NON PLUG-IN" VALVES (CODED FOR KNOB ADJUSTMENT)

| Gage                            | Single pressure |
|---------------------------------|-----------------|
| <b>No gage port</b>             | PR37A-FAAA      |
| <b>With gage Port (plugged)</b> | PR37A-FABA      |

Note: Regulating pressure range for above models is 0 to 120 PSI  
For other ranges, see below.

**OPTIONS**

Adjustment :

PR37A-**Fxxx**

- B** for slotted stem
- K** for slotted stem with locknut

Pressure range :

PR37A-**xxxA**

- B** for 0 to 80 PSI
- C** for 0 to 30 PSI

**PR93A**

**PRA01A**

**PRA02A**

**PRA1A**

**PRP1A**

**PRA2D**

**PRP2B**

**PRA3C**

**PRP3B**

**TECHNICAL DATA**

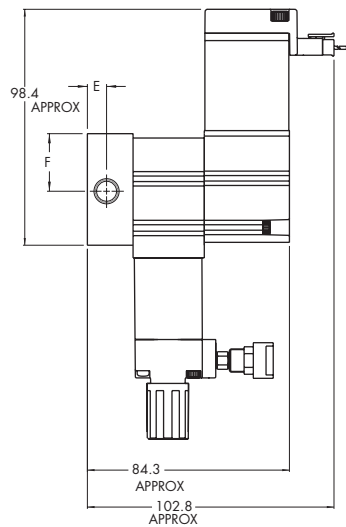
|                            |  |
|----------------------------|--|
| <b>Fluid :</b>             | Compressed air, inert gases  |
| <b>Pressure range :</b>    | 0 to 120 PSI   |
| <b>Regulating range :</b>  | 0 to 120 PSI   |
| <b>Lubrication :</b>       | Not required, if used select a medium aniline point lubricant (between 180°F to 210°F) |
| <b>Filtration :</b>        | 40 μ   |
| <b>Temperature range :</b> | 0°F to 120°F (-18°C to +50°C)  |
| <b>Flow :</b>              | 0.4 C <sub>v</sub>   |

Spare parts :

- Pressure regulator (less sandwich block) : PR37A-G0AA (knob), PR37A-C0AA (slotted stem), PR37A-L0AA (slotted stem with locknut)
- Gages : 24177-160 (0 to 160 PSI, 23 mm)  
24177-100 (0 to 100 PSI, 23 mm)  
24177-060 (0 to 60 PSI, 23 mm)

**DIMENSIONS**

Dimensions shown are metric (mm)



**Sandwich pressure regulator with manual adjust knob**

**OPERATIONAL BENEFITS**

1. Easy mounting; saves on installation costs in comparison with inline regulators.
2. Compact all-included units.
3. Large orifice provides high flow.
4. Various functions available.
5. Simple, reliable and solid design.



PR37A  
**PR42B**  
 PR46A  
 PR47A  
 PR48B  
 PR92C

**HOW TO ORDER**

NON PLUG-IN SANDWICH REGULATORS

| Gage           | Regulator "1/2" end Internal pilot | Regulator "1/2" end External pilot |
|----------------|------------------------------------|------------------------------------|
| No gage port   | PR42B-BAAA                         | PR42B-BBAA                         |
| With gage Port | PR42B-BABA                         | PR42B-BBBA                         |

PR93A

PLUG-IN SANDWICH REGULATORS

| Gage           | Regulator "1/2" end Internal pilot | Regulator "1/2" end External pilot |
|----------------|------------------------------------|------------------------------------|
| No gage port   | PR42B-AAAA                         | PR42B-ABAA                         |
| With gage Port | PR42B-AABA                         | PR42B-ABBA                         |

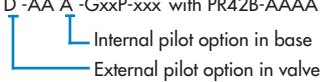
PRA01A  
 PRA02A

Notes:

- External pilot regulator required only when supply pressure (primary) to the valve is below the minimum operating pressure of the 42 series valve.
- When an internal pilot regulator is used with the 42 series valve, the valve should be ordered as external pilot and the base should be ordered as internal pilot. This ensures that the pilot supply is not regulated. If an internal pilot valve and base are used with an internal pilot regulator, the pilot supply is regulated.

PRA1A  
 PRP1A

Example: Valve 42B-AM D-AA A -GxxP-xxx with PR42B-AAAA



PRA2D  
 PRP2B

**OPTIONS**

Pressure range :

|                       |
|-----------------------|
| PR42B-AAAA            |
| <b>A</b> 0 to 120 PSI |
| <b>B</b> 0 to 80 PSI  |
| <b>C</b> 0 to 40 PSI  |

PRA3C  
 PRP3B

**TECHNICAL DATA**

|                            |  |
|----------------------------|--|
| <b>Fluid :</b>             | Compressed air, inert gases  |
| <b>Pressure range :</b>    | 0 to 120 PSI   |
| <b>Regulating range :</b>  | 0 to 120 PSI   |
| <b>Lubrication :</b>       | Not required, if used select a medium aniline point lubricant (between 180°F to 210°F) |
| <b>Filtration :</b>        | 40 μ   |
| <b>Temperature range :</b> | 0°F to 120°F (-18°C to +50°C)  |
| <b>Flow :</b>              | 0.25 C <sub>v</sub>  |

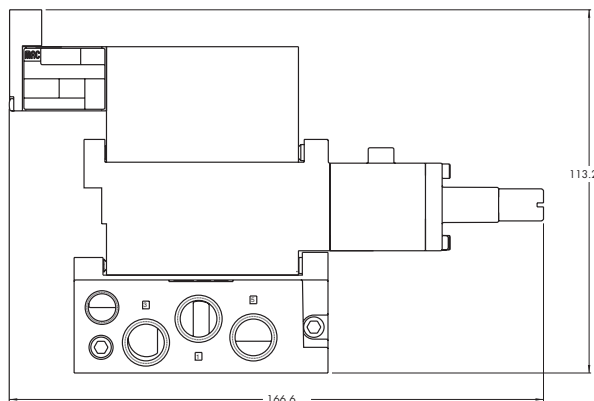
Spare parts :

- Pressure regulator (less sandwich block) : PR42B-C0xx • Gage port plug: N-PE003
- #10 -32 to 1/8" adapter : N-35005 • Gage: 24177-160 (0 to 160 PSI, 23 mm)  
24177-100 (0 to 100 PSI, 23 mm)  
24177-060 (0 to 60 PSI, 23 mm)

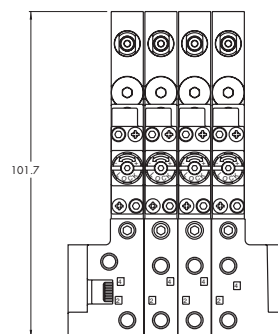
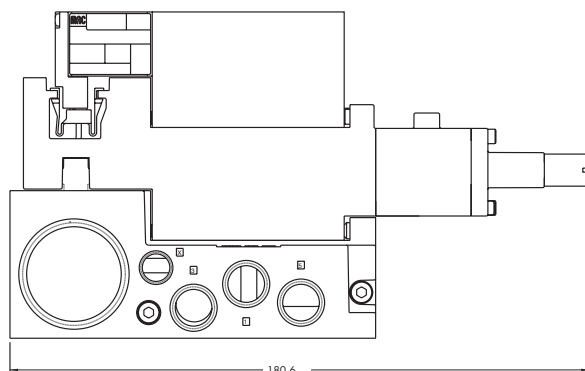
**DIMENSIONS**

Dimensions shown are metric (mm)

NON PLUG-IN



PLUG-IN



**Sandwich-pressure regulator**

**OPERATIONAL BENEFITS**

1. Easy mounting: saves on installation costs in comparison with inline regulators.
2. Compact all included units.
3. Large orifice provides high flow.
4. Various functions available.
5. Simple, reliable and solid design.
6. Single pressure regulator.



PR37A  
PR42B  
**PR46A**  
PR47A  
PR48B  
  
PR92C

**HOW TO ORDER**

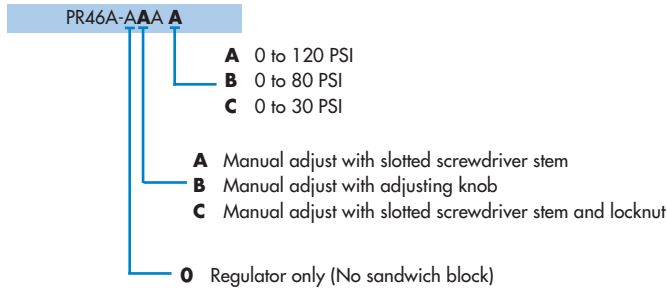
REGULATORS FOR "PLUG-IN" AND "NON PLUG-IN" VALVES

| Gauge                | For plug-in valves | For non plug-in valves |
|----------------------|--------------------|------------------------|
| Gauge port (plugged) | PR46A-AAAA         | PR46A-BAAA             |

PR93A

**OPTIONS**

Pressure range :



PRA01A  
PRA02A  
PRA1A  
  
PRP1A

Notes : gages must be ordered separately, not included with regulator.  
Recommended gage : 241 65-150 (15 mm)

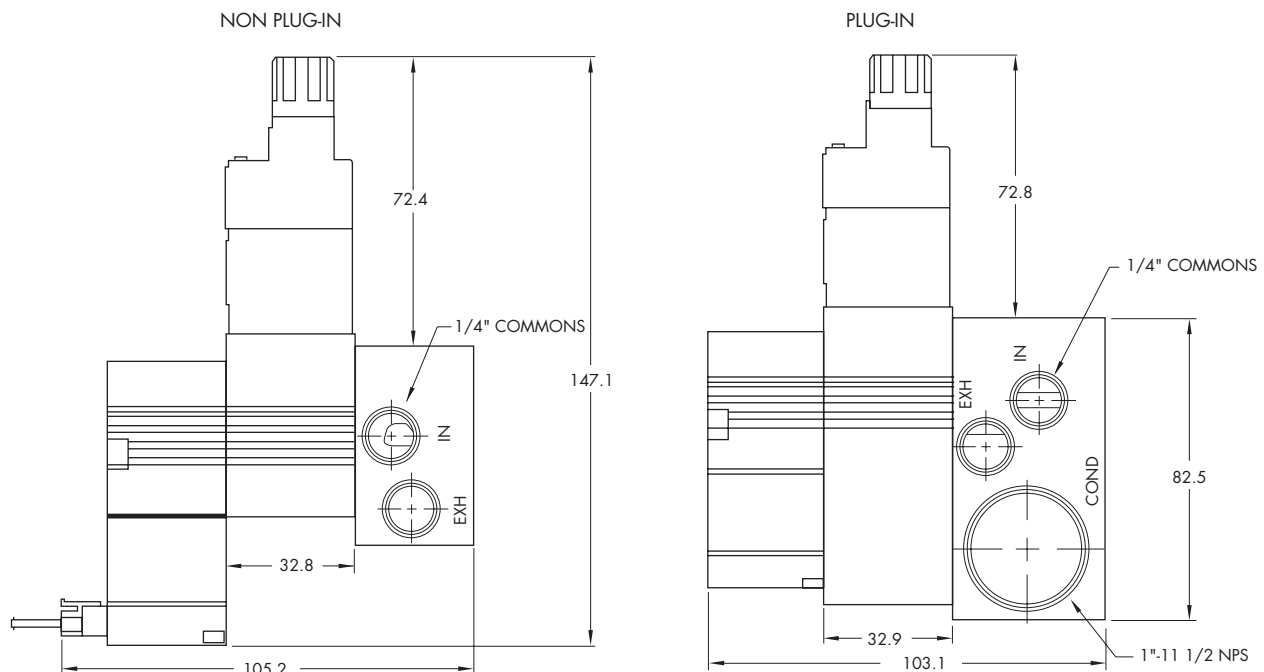
PRA2D  
  
PRP2B  
  
PRA3C  
  
PRP3B

**TECHNICAL DATA**

|                            |   |
|----------------------------|---|
| <b>Fluid :</b>             | Compressed air, inert gases   |
| <b>Pressure range :</b>    | 0 to 120 PSI  |
| <b>Regulating range :</b>  | 0 to 120 PSI  |
| <b>Lubrication :</b>       | Not required, if used select a medium aniline point lubricant (between 180°F and 210°F) |
| <b>Filtration :</b>        | 40 $\mu$  |
| <b>Temperature range :</b> | 0°F to 120°F (-18°C to +50°C)   |
| <b>Flow :</b>              | Cv 0,21   |

**DIMENSIONS**

Dimensions shown are metric (mm)



**Sandwich pressure regulator with manual adjust knob**

**OPERATIONAL BENEFITS**

1. Easy mounting; saves on installation costs in comparison with inline regulators.
2. Compact all-included units.
3. Large orifice provides high flow.
4. Various functions available.
5. Simple, reliable and solid design.



PR37A  
PR42B  
PR46A  
**PR47A**  
PR48B  
  
PR92C

**HOW TO ORDER**

REGULATORS FOR "PLUG-IN" VALVES (KNOB ADJUSTMENT)

| Gage           | Single pressure |
|----------------|-----------------|
| No gage port   | PR47A-EAAA      |
| With gage Port | PR47A-EABA      |

PR93A

REGULATORS FOR "NON PLUG-IN" VALVES (KNOB ADJUSTMENT)

| Gage           | Single pressure |
|----------------|-----------------|
| No Gage port   | PR47A-FAAA      |
| With Gage Port | PR47A-FABA      |

PRA01A  
PRA02A

**OPTIONS**

Pressure range :

PR47A-xxx**A**

- A** 0 to 120 PSI
- B** 0 to 80 PSI
- C** 0 to 30 PSI

Adjustment for : Plug-in regulator

PR47A-**E**xxx

- E** Knob
- A** Screwdriver slot
- J** Screwdriver slot with locknut

Non plug-in regulator

PR47A-**F**xxx

- F** Knob
- B** Screwdriver slot
- K** Screwdriver slot with locknut

PRA1A  
PRP1A  
  
PRA2D  
PRP2B  
  
PRA3C  
PRP3B

**TECHNICAL DATA**

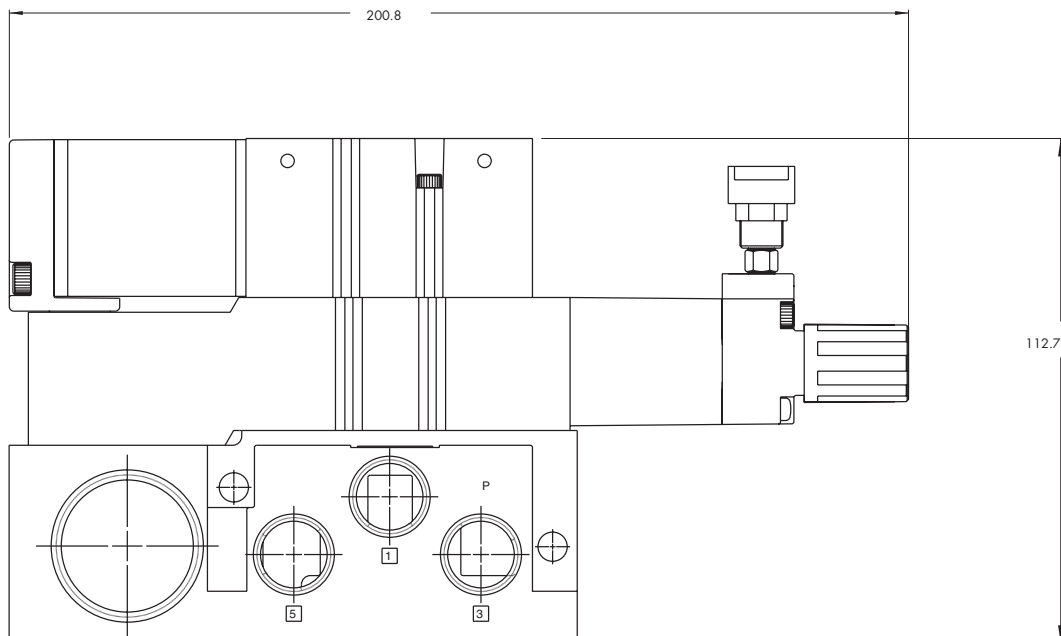
|                            |  |
|----------------------------|--|
| <b>Fluid :</b>             | Compressed air, inert gases  |
| <b>Pressure range :</b>    | 0 to 120 PSI   |
| <b>Regulating range :</b>  | 0 to 120 PSI   |
| <b>Lubrication :</b>       | Not required, if used select a medium aniline point lubricant (between 180°F to 210°F) |
| <b>Filtration :</b>        | 40 μ   |
| <b>Temperature range :</b> | 0°F to 120°F (-18°C to +50°C)  |
| <b>Flow :</b>              | 0.4 C <sub>v</sub>   |

Spare parts :

- Pressure regulator (less sandwich block) : PR47A-G0AA (knob), PR47A-C0AA (screwdriver slot), PR47A-L0AA (screwdriver slot with locknut)
- Gage: 24177-160 (0 to 160 PSI, 23 mm)  
24177-100 (0 to 100 PSI, 23 mm)  
24177-060 (0 to 60 PSI, 23 mm)

**DIMENSIONS**

Dimensions shown are metric (mm)





**Sandwich pressure regulator with manual adjust knob**

**OPERATIONAL BENEFITS**

1. Easy mounting; saves on installation costs in comparison with inline regulators.
2. Compact all-included units.
3. Large orifice provides high flow.
4. Various functions available.
5. Simple, reliable and solid design.



PR37A  
PR42B  
PR46A  
PR47A  
**PR48B**

PR92C

PR93A

PRA01A

PRA02A

PRA1A

PRP1A

PRA2D

PRP2B

PRA3C

PRP3B

**HOW TO ORDER**

NON PLUG-IN SANDWICH REGULATORS (KNOB ADJUSTMENT)

| Gage      | Regulator "12" end Internal pilot | Regulator "12" end External pilot |
|-----------|-----------------------------------|-----------------------------------|
| Gage port | PR48B-BAAA                        | PR48B-BBAA                        |

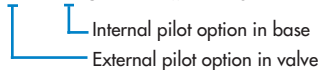
PLUG-IN SANDWICH REGULATORS (KNOB ADJUSTMENT)

| Gage      | Regulator "12" end Internal pilot | Regulator "12" end External pilot |
|-----------|-----------------------------------|-----------------------------------|
| Gage port | PR48B-AAAA                        | PR48B-ABAA                        |

Notes:

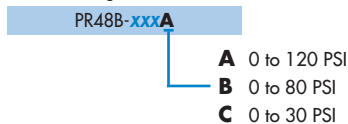
- External pilot regulator required only when supply pressure (primary) to the valve is below the minimum operating pressure of the 48 series valve.
- When an internal pilot regulator is used with the 48 series valve, the valve should be ordered as external pilot and the base should be ordered as internal pilot. This ensures that the pilot supply is not regulated. If an internal pilot valve and base are used with an internal pilot regulator, the pilot supply is regulated.

Example: Valve 48B-AM D-AA A -GxxP-xxx with PR48B-AAAA

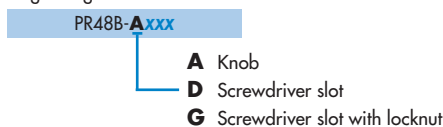


**OPTIONS**

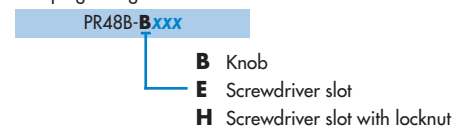
Pressure range :



Adjustment for : Plug-in regulator



Non plug-in regulator



**TECHNICAL DATA**

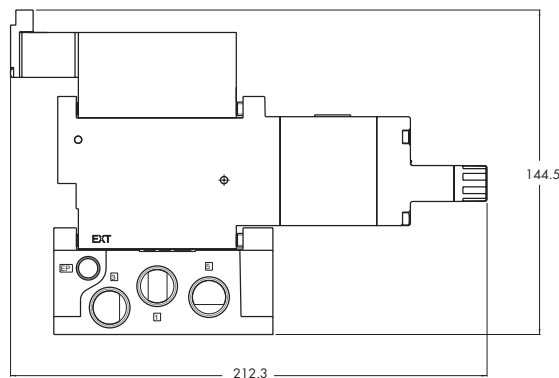
|                            |  |
|----------------------------|--|
| <b>Fluid :</b>             | Compressed air, inert gases  |
| <b>Pressure range :</b>    | 0 to 120 PSI   |
| <b>Regulating range :</b>  | 0 to 120 PSI   |
| <b>Lubrication :</b>       | Not required, if used select a medium aniline point lubricant (between 180°F to 210°F) |
| <b>Filtration :</b>        | 40 μ   |
| <b>Temperature range :</b> | 0°F to 120°F (-18°C to +50°C)  |
| <b>Flow :</b>              | 0.8 C <sub>v</sub>   |

- Spare parts :
- Pressure regulator (less sandwich block) : PR48B-C0AA (knob), PR48B-F0AA (screwdriver slot), PR48B-J0AA (screwdriver slot with locknut)
  - Gage: 24177-160 (0 to 160 PSI, 23 mm)  
 24177-100 (0 to 100 PSI, 23 mm)  
 24177-060 (0 to 60 PSI, 23 mm)

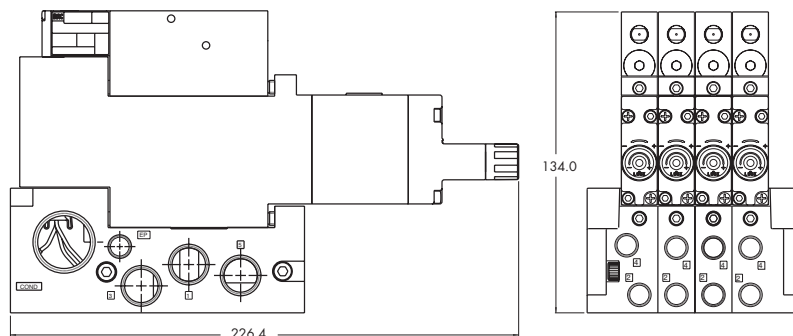
**DIMENSIONS**

Dimensions shown are metric (mm)

NON PLUG-IN



PLUG-IN



**Sandwich pressure regulator with air pilot adjust**

**OPERATIONAL BENEFITS**

1. Easy mounting; saves on installation costs in comparison with inline regulators.
2. Compact all-included units.
3. Large orifice provides high flow.
4. Various functions available.
5. Simple, reliable and solid design.



PR37A  
PR42B  
PR46A  
PR47A  
PR48B

**PR92C**

PR93A

PRA01A

PRA02A

PRA1A

PRP1A

PRA2D

PRP2B

PRA3C

PRP3B

**HOW TO ORDER**

REGULATORS FOR "PLUG-IN" VALVES

| Gage   | Regulator A end<br>Single pressure | Regulator B end<br>Single pressure | Regulator A * end with<br>by-pass end plate B end | Regulator B * end with<br>by-pass end plate A end | Regulator *<br>both ends |
|--|------------------------------------|------------------------------------|---|---|--------------------------|
| <b>Gage port only (plugged)</b>                        | PR92C-EAAA                         | PR92C-EBAA                         | PR92C-ECAA  | PR92C-EDAA  | PR92C-EEAA               |
| <b>Gage with face perpendicular to manual operator</b> | PR92C-EABA                         | PR92C-EBBA                         | PR92C-ECBA  | PR92C-EDBA  | PR92C-EEBA               |
| <b>Gage with face parallel to manual operator</b>      | PR92C-EACA                         | PR92C-EBCA                         | PR92C-ECCA  | PR92C-EDCA  | PR92C-EECA               |

Note: above models are coded for use with single solenoid valves

REGULATORS FOR "NON PLUG-IN" VALVES

| Gage   | Regulator A end<br>Single pressure | Regulator B end<br>Single pressure | Regulator A * end with<br>by-pass end plate B end | Regulator B * end with<br>by-pass end plate A end | Regulator *<br>both ends |
|--|------------------------------------|------------------------------------|---|---|--------------------------|
| <b>Gage port only (plugged)</b>                        | PR92C-GAAA                         | PR92C-GBAA                         | PR92C-GCAA  | PR92C-GDAA  | PR92C-GEAA               |
| <b>Gage with face perpendicular to manual operator</b> | PR92C-GABA                         | PR92C-GBBA                         | PR92C-GCBA  | PR92C-GDBA  | PR92C-GEBA               |
| <b>Gage with face parallel to manual operator</b>      | PR92C-GACA                         | PR92C-GBCA                         | PR92C-GCCA  | PR92C-GDCA  | PR92C-GECA               |

\* For use with dual pressure valves.

**PLUG-IN OPTIONS**

PR92C-Exxx

F for double solenoid valve

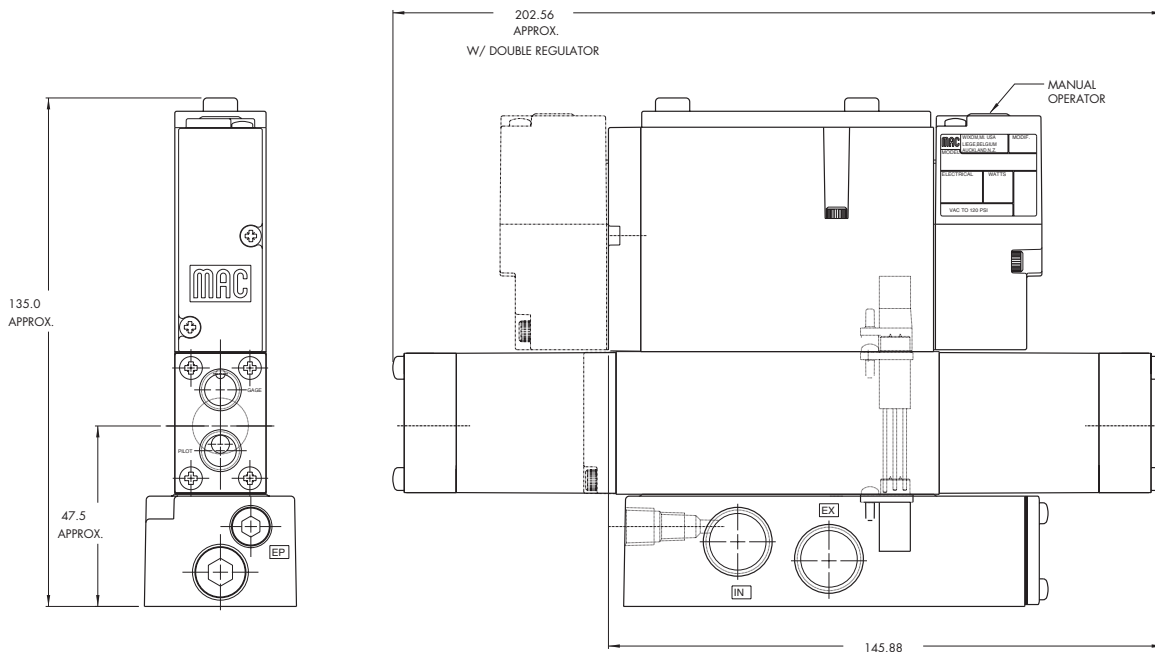
**TECHNICAL DATA**

|                            |  |
|----------------------------|--|
| <b>Fluid :</b>             | Compressed air, inert gases  |
| <b>Pressure range :</b>    | 0 to 120 PSI   |
| <b>Regulating range :</b>  | 0 to 120 PSI   |
| <b>Lubrication :</b>       | Not required, if used select a medium aniline point lubricant (between 180°F to 210°F) |
| <b>Filtration :</b>        | 40 μ   |
| <b>Temperature range :</b> | 0°F to 120°F (-18°C to +50°C)  |
| <b>Flow :</b>              | 0.8 C <sub>v</sub>   |

- Spare parts :
- R-92003 : regulator end plate kit
  - Gage kit 0 - 160 PSI: N-92006-01
  - R-92003-01: regulator by-pass end plate kit
  - Pressure regulator (less sandwich block) : PR92C-H0AA

**DIMENSIONS**

Dimensions shown are metric (mm)



**Sandwich pressure regulator with manual adjust knob**

**OPERATIONAL BENEFITS**

1. Easy mounting; saves on installation costs in comparison with inline regulators.
2. Compact all-included units.
3. Large orifice provides high flow.
4. Various functions available.
5. Simple, reliable and solid design.



PR37A  
PR42B  
PR46A  
PR47A  
PR48B  
**PR92C**

**HOW TO ORDER**

REGULATORS FOR "PLUG-IN" VALVES (CODED FOR KNOB ADJUSTMENT)

| Gage   | Regulator A end<br>Single pressure | Regulator B end<br>Single pressure | Regulator A * end with<br>by-pass end plate B end | Regulator B * end with<br>by-pass end plate A end | Regulator *<br>both ends |
|--|------------------------------------|------------------------------------|---|---|--------------------------|
| <b>No Gage</b>   | PR92C-JAAA                         | PR92C-JBAA                         | PR92C-JCAA  | PR92C-JDAA  | PR92C-JEAA               |
| <b>Gage with face perpendicular to manual operator</b> | PR92C-JABA                         | PR92C-JBBA                         | PR92C-JCBA  | PR92C-JDBA  | PR92C-JEBA               |
| <b>Gage with face parallel to manual operator</b>      | PR92C-JACA                         | PR92C-JBCA                         | PR92C-JCCA  | PR92C-JDCA  | PR92C-JECA               |

Note: above models are coded for use with single solenoid valves

REGULATORS FOR "NON PLUG-IN" VALVES (CODED FOR KNOB ADJUSTMENT)

| Gage   | Regulator A end<br>Single pressure | Regulator B end<br>Single pressure | Regulator A * end with<br>by-pass end plate B end | Regulator B * end with<br>by-pass end plate A end | Regulator *<br>both ends |
|--|------------------------------------|------------------------------------|---|---|--------------------------|
| <b>No Gage</b>   | PR92C-LAAA                         | PR92C-LBAA                         | PR92C-LCAA  | PR92C-LDAA  | PR92C-LEAA               |
| <b>Gage with face perpendicular to manual operator</b> | PR92C-LABA                         | PR92C-LBBA                         | PR92C-LCBA  | PR92C-LDBA  | PR92C-LEBA               |
| <b>Gage with face parallel to manual operator</b>      | PR92C-LACA                         | PR92C-LBCA                         | PR92C-LCCA  | PR92C-LDCA  | PR92C-LECA               |

\* For use with dual pressure valves.

Notes: - Regulating range for above models is 0 to 120 PSI. For other ranges, see technical data page.

**OPTIONS**

Regulator less sandwich block

PR92C-x0xx

- M** Knob
- D** Slotted stem
- S** Slotted stem with locknut

Other adjustment

PR92C-xxxx

- A** Slotted stem, single solenoid
- B** Slotted stem, double solenoid
- C** Slotted stem, non plug-in
- K** Knob, double solenoid
- N** Slotted stem w/ locknut, single solenoid
- P** Slotted stem w/ locknut, double solenoid
- R** Slotted stem w/ locknut, non plug-in

PR93A  
PRA01A  
PRA02A  
PRA1A  
PRP1A  
PRA2D  
PRP2B  
PRA3C  
PRP3B

**TECHNICAL DATA**

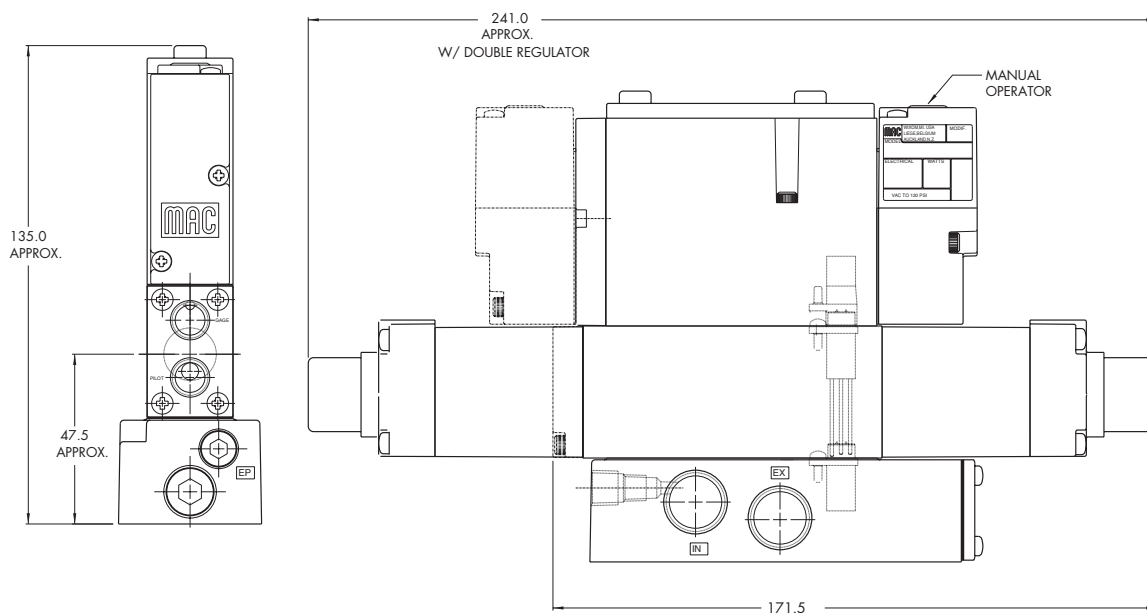
|                            |  |
|----------------------------|--|
| <b>Fluid :</b>             | Compressed air, inert gases  |
| <b>Pressure range :</b>    | 0 to 120 PSI   |
| <b>Regulating range :</b>  | 0 to 120 PSI   |
| <b>Lubrication :</b>       | Not required, if used select a medium aniline point lubricant (between 180°F to 210°F) |
| <b>Filtration :</b>        | 40 μ   |
| <b>Temperature range :</b> | 0°F to 120°F (-18°C to +50°C)  |
| <b>Flow :</b>              | 0.8 C <sub>v</sub>   |

- Spare parts :
- R-92003 : end plate kit • R-92003-01 : by-pass end plate kit
  - Gage kit 0 – 160 PSI : N-92006-01 • Gage kit 0 – 100 PSI : N-92006-02
  - Gage kit 0 – 60 PSI : N-92006-03

- Options:
- Pressure range: PR92C-xxxA (A 0 to 120 PSI)
    - B 0 to 80 PSI
    - C 0 to 30 PSI
    - D 0 to 120 PSI "A" end, 0 to 80 PSI "B" end
    - E 0 to 120 PSI "B" end, 0 to 80 PSI "A" end
    - F 0 to 120 PSI "A" end, 0 to 30 PSI "B" end
    - G 0 to 120 PSI "B" end, 0 to 30 PSI "A" end
    - H 0 to 80 PSI "A" end, 0 to 30 PSI "B" end
    - J 0 to 80 PSI "B" end, 0 to 30 PSI "A" end

**DIMENSIONS**

Dimensions shown are metric (mm)



**Sandwich selector pressure regulator with manual adjust knob**

**OPERATIONAL BENEFITS**

1. Easy mounting; saves on installation costs in comparison with inline regulators.
2. Compact all-included units.
3. Large orifice provides high flow.
4. Various functions available.
5. Simple, reliable and solid design.



PR37A  
PR42B  
PR46A  
PR47A  
PR48B

**PR92C**

**HOW TO ORDER**

REGULATORS FOR "PLUG-IN" VALVES (CODED FOR KNOB ADJUSTMENT)

| Gage  | Select to A port<br>Regulator A end<br>By-pass plate B end | Select to B port<br>Regulator B end<br>By-pass plate A end | Select to A port Reg. both ends<br>A end low press.<br>B end high press. | Select to B port Reg. both ends<br>A end high press.<br>B end low press. |
|---|--|--|--|--|
| No Gage   | PR92C-JPAA   | PR92C-JRAA   | PR92C-JSAA   | PR92C-JTAA   |
| Gage with face perpendicular to manual operator | PR92C-JPBA   | PR92C-JRBA   | PR92C-JSBA   | PR92C-JTBA   |
| Gage with face parallel to manual operator      | PR92C-JPCA   | PR92C-JRCA   | PR92C-JSCA   | PR92C-JTCA   |

PR93A

PRA01A

PRA02A

Note: above models are coded for use with single solenoid valves

REGULATORS FOR "NON PLUG-IN" VALVES (CODED FOR KNOB ADJUSTMENT)

| Gage  | Select to A port<br>Regulator A end<br>By-pass plate B end | Select to B port<br>Regulator B end<br>By-pass plate A end | Select to A port Reg. both ends<br>A end low press.<br>B end high press. | Select to B port Reg. both ends<br>A end high press.<br>B end low press. |
|---|--|--|--|--|
| No Gage   | PR92C-LPAA   | PR92C-LRAA   | PR92C-LSAA   | PR92C-LTAA   |
| Gage with face perpendicular to manual operator | PR92C-LPBA   | PR92C-LRBA   | PR92C-LSBA   | PR92C-LTBA   |
| Gage with face parallel to manual operator      | PR92C-LPCA   | PR92C-LRCA   | PR92C-LSCA   | PR92C-LTCA   |

PRA1A

PRP1A

PRA2D

PRP2B

Notes: - Regulating range for above models is 0 to 120 PSI. For other ranges, see technical data page  
- Use single pressure valve for all above models.

**OPTIONS**

Regulator less sandwich block

PR92C-x0xx

- M** Knob
- D** Slotted stem
- S** Slotted stem with locknut

Other adjustment

PR92C-xxxx

- A** Slotted stem, single solenoid
- B** Slotted stem, double solenoid
- C** Slotted stem, non plug-in
- K** Knob, double solenoid
- N** Slotted stem w/ locknut, single solenoid
- P** Slotted stem w/ locknut, double solenoid
- R** Slotted stem w/ locknut, non plug-in

PRA3C

PRP3B

**TECHNICAL DATA**

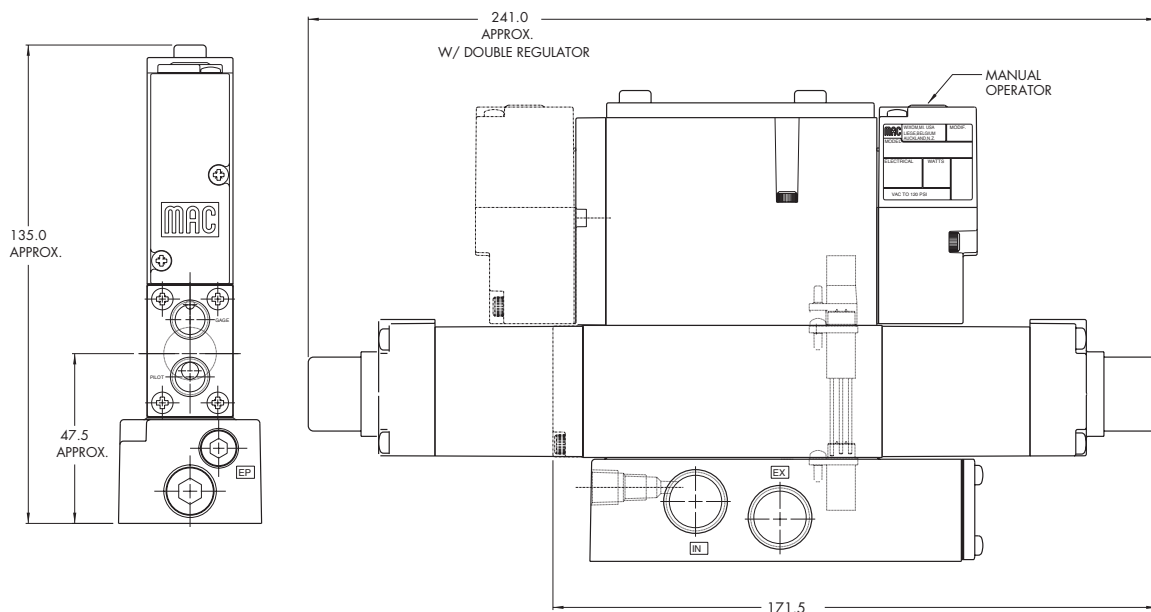
|                            |  |
|----------------------------|--|
| <b>Fluid :</b>             | Compressed air, inert gases  |
| <b>Pressure range :</b>    | 0 to 120 PSI   |
| <b>Regulating range :</b>  | 0 to 120 PSI   |
| <b>Lubrication :</b>       | Not required, if used select a medium aniline point lubricant (between 180°F to 210°F) |
| <b>Filtration :</b>        | 40 μ   |
| <b>Temperature range :</b> | 0°F to 120°F (-18°C to +50°C)  |
| <b>Flow :</b>              | 0.8 C <sub>v</sub>   |

- Spare parts :
- R-92003 : end plate kit • R-92003-01 : by-pass end plate kit
  - Gage kit 0 – 160 PSI : N-92006-01 • Gage kit 0 – 100 PSI : N-92006-02
  - Gage kit 0 – 60 PSI : N-92006-03

- Options :
- Pressure range: PR92C-xxxA (A 0 to 120 PSI)
    - B 0 to 80 PSI
    - C 0 to 30 PSI
    - D 0 to 120 PSI "A" end, 0 to 80 PSI "B" end
    - E 0 to 120 PSI "B" end, 0 to 80 PSI "A" end
    - F 0 to 120 PSI "A" end, 0 to 30 PSI "B" end
    - G 0 to 120 PSI "B" end, 0 to 30 PSI "A" end
    - H 0 to 80 PSI "A" end, 0 to 30 PSI "B" end
    - J 0 to 80 PSI "B" end, 0 to 30 PSI "A" end

**DIMENSIONS**

Dimensions shown are metric (mm)





**Sandwich pressure regulator with air pilot adjust**

**OPERATIONAL BENEFITS**

1. Easy mounting; saves on installation costs in comparison with inline regulators.
2. Compact all-included units.
3. Large orifice provides high flow.
4. Various functions available.
5. Simple, reliable and solid design.



PR37A  
PR42B  
PR46A  
PR47A  
PR48B  
  
PR92C

**HOW TO ORDER**

REGULATORS FOR "PLUG-IN" VALVES

| Gage   | Regulator A end<br>Single pressure | Regulator B end<br>Single pressure | Regulator A * end with<br>by-pass end plate B end | Regulator B * end with<br>by-pass end plate A end | Regulator *<br>both ends |
|--|------------------------------------|------------------------------------|---|---|--------------------------|
| <b>Gage port only (plugged)</b>                        | PR93A-DAAA                         | PR93A-DBAA                         | PR93A-DCAA  | PR93A-DDAA  | PR93A-DEAA               |
| <b>Gage with face perpendicular to manual operator</b> | PR93A-DABA                         | PR93A-DBBA                         | PR93A-DCBA  | PR93A-DDBA  | PR93A-DEBA               |
| <b>Gage with face parallel to manual operator</b>      | PR93A-DACA                         | PR93A-DBCA                         | PR93A-DCCA  | PR93A-DDCA  | PR93A-DECA               |

PR93A  
  
PRA01A  
PRA02A

REGULATORS FOR "NON PLUG-IN" VALVES

| Gage   | Regulator A end<br>Single pressure | Regulator B end<br>Single pressure | Regulator A * end with<br>by-pass end plate B end | Regulator B * end with<br>by-pass end plate A end | Regulator *<br>both ends |
|--|------------------------------------|------------------------------------|---|---|--------------------------|
| <b>Gage port only (plugged)</b>                        | PR93A-EAAA                         | PR93A-EBAA                         | PR93A-ECAA  | PR93A-EDAA  | PR93A-EEAA               |
| <b>Gage with face perpendicular to manual operator</b> | PR93A-EABA                         | PR93A-EBBA                         | PR93A-ECBA  | PR93A-EDBA  | PR93A-EEBA               |
| <b>Gage with face parallel to manual operator</b>      | PR93A-EACA                         | PR93A-EBCA                         | PR93A-ECCA  | PR93A-EDCA  | PR93A-EECA               |

PRA1A  
PRP1A  
PRA2D  
PRP2B  
PRA3C  
PRP3B

Note: Above models may be used with either single or double solenoid valves.  
\* For use with dual pressure valves.

**TECHNICAL DATA**

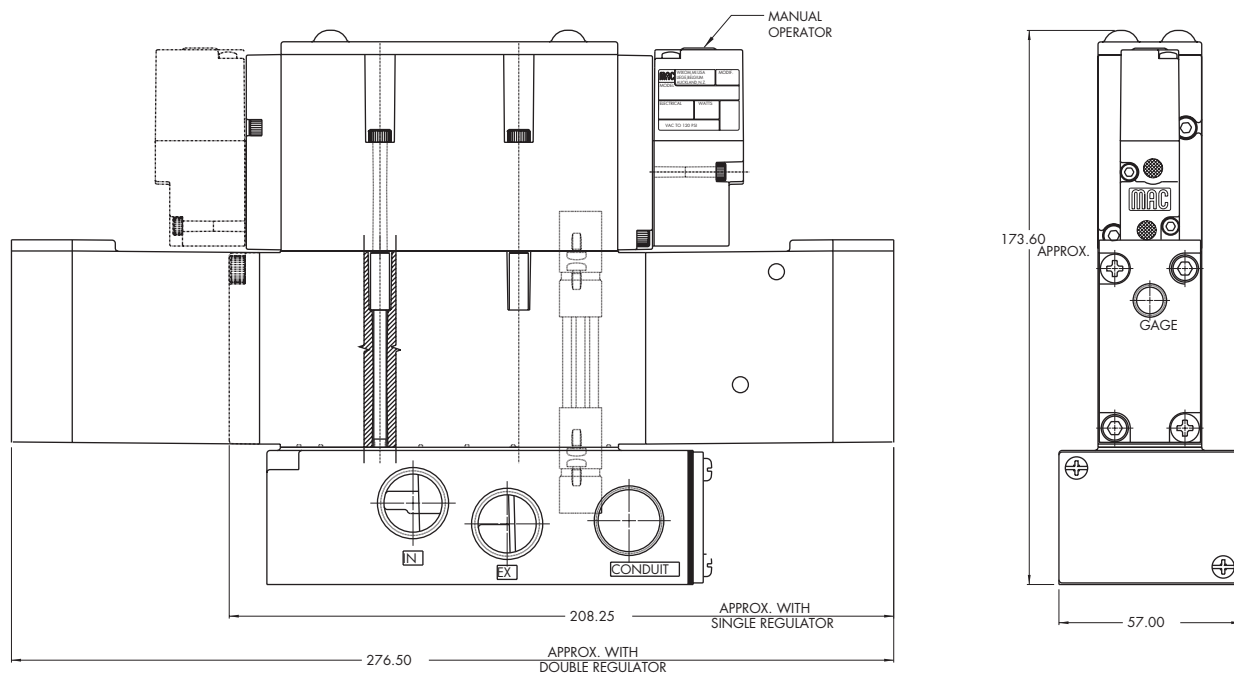
|                            |  |
|----------------------------|--|
| <b>Fluid :</b>             | Compressed air, inert gases  |
| <b>Pressure range :</b>    | 0 to 120 PSI   |
| <b>Regulating range :</b>  | 0 to 120 PSI   |
| <b>Lubrication :</b>       | Not required, if used select a medium aniline point lubricant (between 180°F to 210°F) |
| <b>Filtration :</b>        | 40 μ   |
| <b>Temperature range :</b> | 0°F to 120°F (-18°C to +50°C)  |
| <b>Flow :</b>              | 2.4 C <sub>v</sub>   |

Spare parts :

- Regulator end plate kit: R-93004 • Regulator by-pass end plate kit: R-93004-01
- Gage kit: N-92006-01 (0 to 160 PSI)
- Pressure regulator (less sandwich block): PR93A-F0AA

**DIMENSIONS**

Dimensions shown are metric (mm)



**Sandwich pressure regulator with manual adjust knob**

**OPERATIONAL BENEFITS**

1. Easy mounting; saves on installation costs in comparison with inline regulators.
2. Compact all-included units.
3. Large orifice provides high flow.
4. Various functions available.
5. Simple, reliable and solid design.



PR37A  
PR42B  
PR46A  
PR47A  
PR48B  
  
PR92C

**HOW TO ORDER**

REGULATORS FOR "PLUG-IN" VALVES (CODED FOR KNOB ADJUSTMENT)

| Gage   | Regulator A end<br>Single pressure | Regulator B end<br>Single pressure | Regulator A * end with<br>by-pass end plate B end | Regulator B * end with<br>by-pass end plate A end | Regulator *<br>both ends |
|--|------------------------------------|------------------------------------|---|---|--------------------------|
| <b>Gage port only (plugged)</b>                        | PR93A-GAAA                         | PR93A-GBAA                         | PR93A-GCAA  | PR93A-GDAA  | PR93A-GEAA               |
| <b>Gage with face perpendicular to manual operator</b> | PR93A-GABA                         | PR93A-GBBA                         | PR93A-GCBA  | PR93A-GDBA  | PR93A-GEBA               |
| <b>Gage with face parallel to manual operator</b>      | PR93A-GACA                         | PR93A-GBCA                         | PR93A-GCCA  | PR93A-GDCA  | PR93A-GECA               |

PR93A  
  
PRA01A  
PRA02A

REGULATORS FOR "NON PLUG-IN" VALVES (CODED FOR KNOB ADJUSTMENT)

| Gage   | Regulator A end<br>Single pressure | Regulator B end<br>Single pressure | Regulator A * end with<br>by-pass end plate B end | Regulator B * end with<br>by-pass end plate A end | Regulator *<br>both ends |
|--|------------------------------------|------------------------------------|---|---|--------------------------|
| <b>Gage port only (plugged)</b>                        | PR93A-HAAA                         | PR93A-HBAA                         | PR93A-HCAA  | PR93A-HDAA  | PR93A-HEAA               |
| <b>Gage with face perpendicular to manual operator</b> | PR93A-HABA                         | PR93A-HBBA                         | PR93A-HCBA  | PR93A-HDBA  | PR93A-HEBA               |
| <b>Gage with face parallel to manual operator</b>      | PR93A-HACA                         | PR93A-HBCA                         | PR93A-HCCA  | PR93A-HDCA  | PR93A-HECA               |

PRA1A  
PRP1A  
PRA2D

\* For use with dual pressure valves.

Note: Regulating range for above models is 0 to 120 PSI. For other ranges, see technical data page.

**OPTIONS** Regulator less sandwich block

PR93A-**xOxx**

- J** Knob
- C** Slotted stem
- M** Slotted stem with locknut

Other adjustment

PR93A-**xxxx**

- A** Slotted stem, plug-in
- B** Slotted stem, non plug-in
- K** Slotted stem w/ locknut, plug-in
- L** Slotted stem w/ locknut, non plug-in

PRP2B  
PRA3C  
PRP3B

Note: Above models may be used with either single or double solenoid valves.

**TECHNICAL DATA**

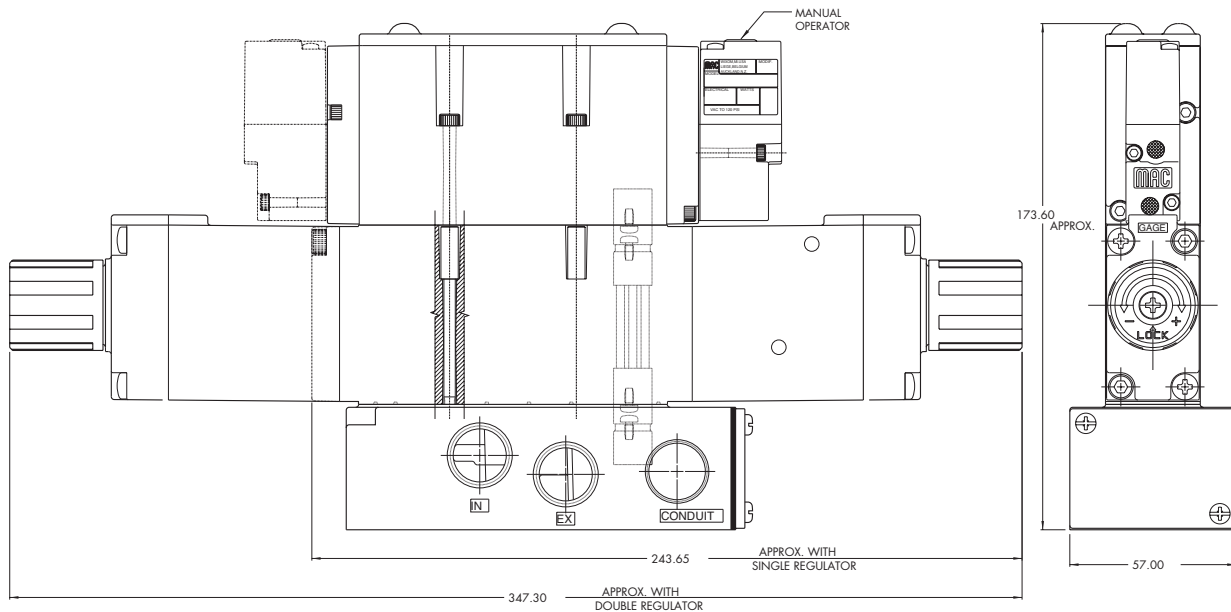
|                            |  |
|----------------------------|--|
| <b>Fluid :</b>             | Compressed air, inert gases  |
| <b>Pressure range :</b>    | 0 to 120 PSI   |
| <b>Regulating range :</b>  | 0 to 120 PSI   |
| <b>Lubrication :</b>       | Not required, if used select a medium aniline point lubricant (between 180°F to 210°F) |
| <b>Filtration :</b>        | 40 $\mu$   |
| <b>Temperature range :</b> | 0°F to 120°F (-18°C to +50°C)  |
| <b>Flow :</b>              | 2.4 C <sub>v</sub>   |

Spare parts :  
 • Regulator end plate kit :R-93004 • Regulator by-pass end plate kit : R-93004-01.  
 • Gage kit 0 – 160 PSI : N-92006-01 • Gage kit 0 – 100 PSI : N-92006-02  
 • Gage kit 60 PSI : N-92006-03

Option:  
 • Pressure range: PR93A-xxxA (A 0 to 120 PSI)  
   — B 0 to 80 PSI  
   — C 0 to 30 PSI  
   — D 0 to 120 PSI "A" end, 0 to 80 PSI "B" end  
   — E 0 to 120 PSI "B" end, 0 to 80 PSI "A" end  
   — F 0 to 120 PSI "A" end, 0 to 30 PSI "B" end  
   — G 0 to 120 PSI "B" end, 0 to 30 PSI "A" end  
   — H 0 to 80 PSI "A" end, 0 to 30 PSI "B" end  
   — J 0 to 80 PSI "B" end, 0 to 30 PSI "A" end

**DIMENSIONS**

Dimensions shown are metric (mm)



**Sandwich selector pressure regulator with manual adjust knob**

**OPERATIONAL BENEFITS**

1. Easy mounting; saves on installation costs in comparison with inline regulators.
2. Compact all-included units.
3. Large orifice provides high flow.
4. Various functions available.
5. Simple, reliable and solid design.



PR37A  
PR42B  
PR46A  
PR47A  
PR48B  
  
PR92C

**HOW TO ORDER**

REGULATORS FOR "PLUG-IN" VALVES (CODED FOR KNOB ADJUSTMENT)

| Gage   | Select to A port<br>Regulator A end<br>By-pass plate B end | Select to B port<br>Regulator B end<br>By-pass plate A end | Select to A port Reg. both ends<br>A end low press.<br>B end high press. | Select to B port Reg. both ends<br>A end high press.<br>B end low press. |
|--|--|--|--|--|
| <b>Gage port only (plugged)</b>                        | PR93A-GPAA   | PR93A-GRAA   | PR93A-GSAA   | PR93A-GTAA   |
| <b>Gage with face perpendicular to manual operator</b> | PR93A-GPBA   | PR93A-GRBA   | PR93A-GSBA   | PR93A-GTBA   |
| <b>Gage with face parallel to manual operator</b>      | PR93A-GPCA   | PR93A-GRCA   | PR93A-GSCA   | PR93A-GTCA   |

PR93A

PRA01A

PRA02A

REGULATORS FOR "NON PLUG-IN" VALVES

| Gage   | Select to A port<br>Regulator A end<br>By-pass plate B end | Select to B port<br>Regulator B end<br>By-pass plate A end | Select to A port Reg. both ends<br>A end low press.<br>B end high press. | Select to B port Reg. both ends<br>A end high press.<br>B end low press. |
|--|--|--|--|--|
| <b>Gage port only (plugged)</b>                        | PR93A-HPAA   | PR93A-HRAA   | PR93A-HSAA   | PR93A-HTAA   |
| <b>Gage with face perpendicular to manual operator</b> | PR93A-HPBA   | PR93A-HRBA   | PR93A-HSBA   | PR93A-HTBA   |
| <b>Gage with face parallel to manual operator</b>      | PR93A-HPCA   | PR93A-HRCA   | PR93A-HSCA   | PR93A-HTCA   |

PRA1A

PRP1A

PRA2D

Notes: - Regulating range for above models is 0 to 120 PSI. For other ranges, see technical data page  
- Use single pressure valve for all above models.

PRP2B

**OPTIONS**

Regulator less sandwich block

- PR93A-x0xx
- J** Knob
  - C** Slotted stem
  - M** Slotted stem with locknut

Other adjustment

- PR93A-xxxx
- A** Slotted stem, plug-in
  - B** Slotted stem, non plug-in
  - K** Slotted stem w/ locknut, plug-in
  - L** Slotted stem w/ locknut, non plug-in

PRA3C

PRP3B

Note: Above models may be used with either single or double solenoid valves.

**TECHNICAL DATA**

|                            |  |
|----------------------------|--|
| <b>Fluid :</b>             | Compressed air, inert gases  |
| <b>Pressure range :</b>    | 0 to 120 PSI   |
| <b>Regulating range :</b>  | 0 to 120 PSI   |
| <b>Lubrication :</b>       | Not required, if used select a medium aniline point lubricant (between 180°F to 210°F) |
| <b>Filtration :</b>        | 40 μ   |
| <b>Temperature range :</b> | 0°F to 120°F (-18°C to +50°C)  |
| <b>Flow :</b>              | 2.4 C <sub>v</sub>   |

Spare parts :

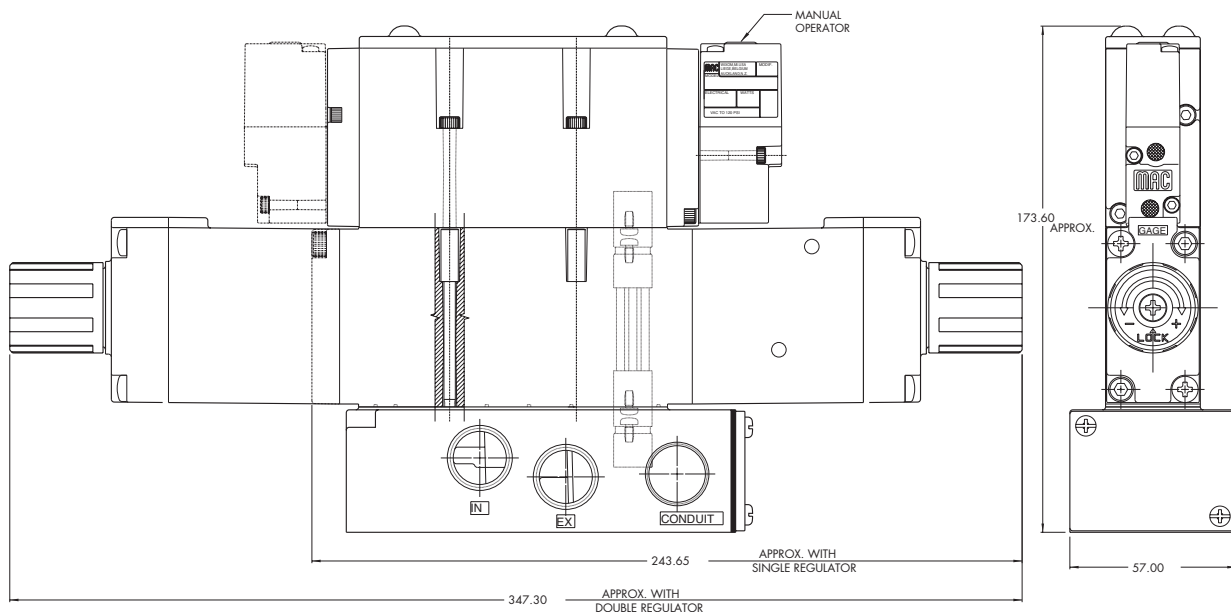
- Regulator end plate kit :R-93004 • Regulator by-pass end plate kit : R-93004-01.
- Gage kit 0 – 160 PSI : N-92006-01 • Gage kit 0 – 100 PSI : N-92006-02
- Gage kit 0 – 60 PSI : N-92006-03

Option:

- Pressure range: PR93A-xxxA (A 0 to 120 PSI)
  - B 0 to 80 PSI
  - C 0 to 30 PSI
  - D 0 to 120 PSI "A" end, 0 to 80 PSI "B" end
  - E 0 to 120 PSI "B" end, 0 to 80 PSI "A" end
  - F 0 to 120 PSI "A" end, 0 to 30 PSI "B" end
  - G 0 to 120 PSI "B" end, 0 to 30 PSI "A" end
  - H 0 to 80 PSI "A" end, 0 to 30 PSI "B" end
  - J 0 to 80 PSI "B" end, 0 to 30 PSI "A" end

**DIMENSIONS**

Dimensions shown are metric (mm)



**Non plug-in sandwich pressure regulator with manual adjust**

**OPERATIONAL BENEFITS**

1. Easy mounting: saves on installation costs and space in comparison with inline regulators
2. Compact all-included units
3. Large orifice provides high flow
4. Various functions available
5. Simple, reliable and solid design



PR37A  
PR42B  
PR46A  
PR47A  
PR48B  
  
PR92C

**HOW TO ORDER**

| Pilot           | Single pressure Regulator 12 end | Dual pressure Regulator 12 end with by-pass 14 end * | Dual pressure Regulator 14 end with by-pass 12 end * | Dual pressure Regulator both ends * |
|-----------------|----------------------------------|--|--|-------------------------------------|
| <b>Internal</b> | PRA01A-AAAA                      | PRA01A-ABAA  | PRA01A-ADAA  | PRA01A-AEAA                         |
| <b>External</b> | PRA01A-BAAA                      | PRA01A-BBAA  | PRA01A-BDAA  | PRA01A-BEAA                         |

PR93A

Above models are for manual adjust with knob  
For other manual adjustments and pressure ranges, see Options.

Note: Add -9 after part number for regulator block assembled to valve.  
\* To be used with dual pressure valves.

**PRA01A**  
PRA02A

**OPTIONS**

Adjustments :

PRA01A - **XXXX**

- A** Manual adjust with knob – Internal pilot
- B** Manual adjust with knob – External pilot
- G** Manual adjust with screwdriver slot – Internal pilot
- H** Manual adjust with screwdriver slot – External pilot
- K** Manual adjust with screwdriver slot with locknut– Internal pilot
- L** Manual adjust with screwdriver slot with locknut – External pilot

PRA1A  
PRP1A

Regulated Pressure range :

PRA01A - **xxxx**

- A** 0 to 120 PSI
- B** 0 to 80 PSI
- C** 0 to 30 PSI
- D** 0 to 120 PSI "14" end - 0 to 80 PSI "12" end
- E** 0 to 120 PSI "12" end - 0 to 80 PSI "14" end
- F** 0 to 120 PSI "14" end - 0 to 30 PSI "12" end
- G** 0 to 120 PSI "12" end - 0 to 30 PSI "14" end
- H** 0 to 80 PSI "14" end - 0 to 30 PSI "12" end
- J** 0 to 80 PSI "12" end - 0 to 30 PSI "14" end

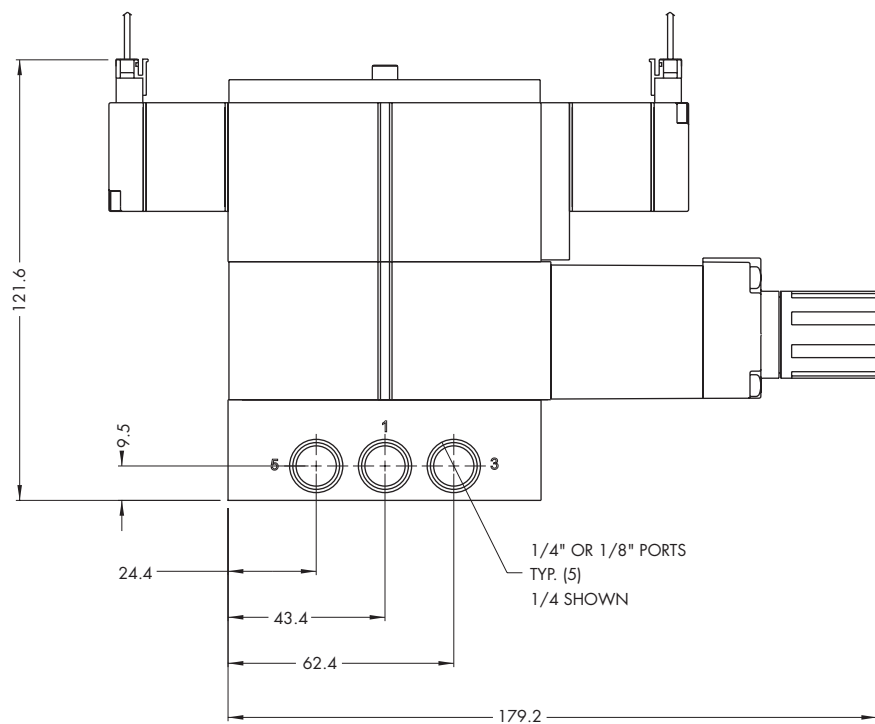
PRA2D  
PRP2B  
  
PRA3C  
PRP3B

**TECHNICAL DATA**

|                            |   |
|----------------------------|---|
| <b>Fluid :</b>             | Compressed air, inert gases   |
| <b>Pressure supply :</b>   | Higher than maximum regulated pressure (max. 8,5 bar)                                   |
| <b>Regulating range :</b>  | 0 to 120 PSI  |
| <b>Lubrication :</b>       | Not required, if used select a medium aniline point lubricant (between 180°F and 210°F) |
| <b>Filtration :</b>        | 40 μ  |
| <b>Temperature range :</b> | 0°F to 120°F (-18°C to +50°C)   |

**DIMENSIONS**

Dimensions shown are metric (mm)







**Non plug-in sandwich pressure regulator with air pilot adjust**

**OPERATIONAL BENEFITS**

1. Easy mounting: saves on installation costs in comparison with inline regulators
2. Compact all-included units
3. Large orifice provides high flow
4. Various functions available
5. Simple, reliable and solid design

**PR37A**  
**PR42B**  
**PR46A**  
**PR47A**  
**PR48B**

**PR92C**

**HOW TO ORDER**

| Pilot           | Single pressure Regulator 12 end | Dual pressure Regulator 12 end with by-pass 14 end * | Dual pressure Regulator 14 end with by-pass 12 end * | Dual pressure Regulator both ends * |
|-----------------|----------------------------------|--|--|-------------------------------------|
| <b>Internal</b> | PRA01A-DAAA                      | PRA01A-DBAA  | PRA01A-DDAA  | PRA01A-DEAA                         |
| <b>External</b> | PRA01A-EAAA                      | PRA01A-EBAA  | PRA01A-EDAA  | PRA01A-EEAA                         |

**PR93A**

Note : Only pressure range available for air adjust regulator is 0-120 PSI.  
 \* To be used with dual pressure valves.

**PRA01A**

**PRA02A**

**PRA1A**

**PRP1A**

**PRA2D**

**PRP2B**

**PRA3C**

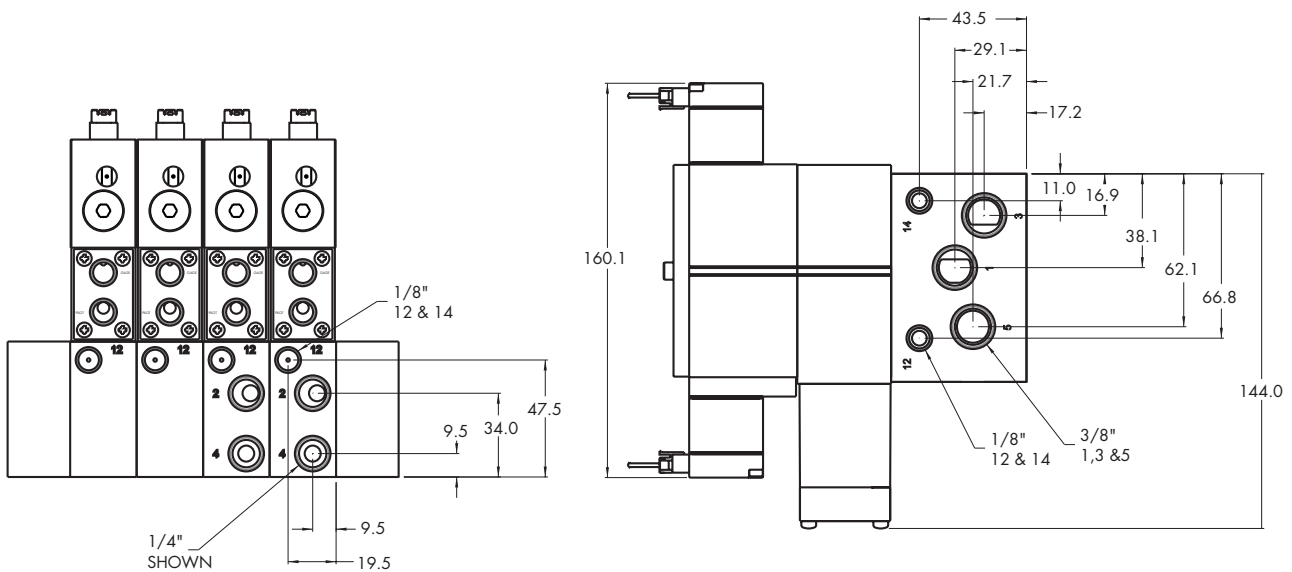
**PRP3B**

**TECHNICAL DATA**

|                            |   |
|----------------------------|---|
| <b>Fluid :</b>             | Compressed air, inert gases   |
| <b>Pressure range :</b>    | Higher than maximum regulated pressure  |
| <b>Regulating range :</b>  | 0 to 120 PSI  |
| <b>Lubrication :</b>       | Not required, if used select a medium aniline point lubricant (between 180°F and 210°F) |
| <b>Filtration :</b>        | 40 μ  |
| <b>Temperature range :</b> | 0°F to 120°F (-18°C to +50°C)   |

**DIMENSIONS**

Dimensions shown are metric (mm)



**Non plug-in sandwich pressure regulator with manual adjust**

**OPERATIONAL BENEFITS**

1. Easy mounting: saves on installation costs and space in comparison with inline regulators
2. Compact all-included units
3. Large orifice provides high flow
4. Various functions available
5. Simple, reliable and solid design



**PR37A**  
**PR42B**  
**PR46A**  
**PR47A**  
**PR48B**  
  
**PR92C**

**HOW TO ORDER**

| Pilot           | Single pressure Regulator 12 end | Dual pressure Regulator 12 end with by-pass 14 end * | Dual pressure Regulator 14 end with by-pass 12 end * | Dual pressure Regulator both ends * |
|-----------------|----------------------------------|--|--|-------------------------------------|
| <b>Internal</b> | PRA02A-AAAA                      | PRA02A-ABAA  | PRA02A-ADAA  | PRA02A-AEAA                         |
| <b>External</b> | PRA02A-BAAA                      | PRA02A-BBAA  | PRA02A-BDAA  | PRA02A-BEAA                         |

**PR93A**

Above models are for manual adjust with knob  
 For other manual adjustments and pressure ranges, see Options.

Note: Add -9 after part number for regulator block assembled to valve.  
 \* To be used with dual pressure valves.

**PRA01A**

**PRA02A**

**OPTIONS**

Adjustments :

- PRA02A - **XXXX**
- A** Manual adjust with knob – Internal pilot
  - B** Manual adjust with knob – External pilot
  - G** Manual adjust with screwdriver slot – Internal pilot
  - H** Manual adjust with screwdriver slot – External pilot
  - K** Manual adjust with screwdriver slot with locknut– Internal pilot
  - L** Manual adjust with screwdriver slot with locknut – External pilot

**PRA1A**

**PRP1A**

Regulated Pressure range :

- PRA02A - **xxxx**
- A** 0 to 120 PSI
  - B** 0 to 80 PSI
  - C** 0 to 30 PSI
  - D** 0 to 120 PSI "14" end - 0 to 80 PSI "12" end
  - E** 0 to 120 PSI "12" end - 0 to 80 PSI "14" end
  - F** 0 to 120 PSI "14" end - 0 to 30 PSI "12" end
  - G** 0 to 120 PSI "12" end - 0 to 30 PSI "14" end
  - H** 0 to 80 PSI "14" end - 0 to 30 PSI "12" end
  - J** 0 to 80 PSI "12" end - 0 to 30 PSI "14" end

**PRA2D**

**PRP2B**

**PRA3C**

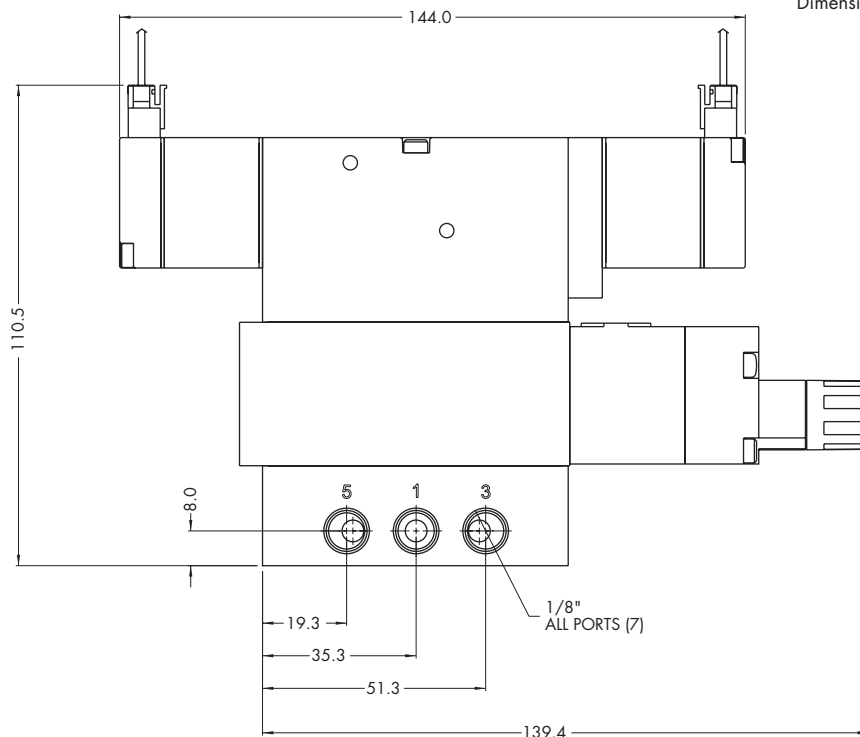
**PRP3B**

**TECHNICAL DATA**

|                            |   |
|----------------------------|---|
| <b>Fluid :</b>             | Compressed air, inert gases   |
| <b>Pressure supply :</b>   | Higher than maximum regulated pressure  |
| <b>Regulating range :</b>  | 0 to 120 PSI  |
| <b>Lubrication :</b>       | Not required, if used select a medium aniline point lubricant (between 180°F and 210°F) |
| <b>Filtration :</b>        | 40 μ  |
| <b>Temperature range :</b> | 0°F to 120°F (-18°C to +50°C)   |

**DIMENSIONS**

Dimensions shown are metric (mm)



**Non plug-in sandwich pressure regulator with manual adjust knob**

**OPERATIONAL BENEFITS**

1. Easy mounting : saves on installation costs in comparison with inline regulators.
2. Allows to have compact, all-included units.
3. Large orifice provides high flow.
4. Various functions available.
5. Simple, reliable and solid design.



PR37A  
PR42B  
PR46A  
PR47A  
PR48B  
  
PR92C

**HOW TO ORDER**

INTERNAL PILOT

| Gage                               | Single pressure Regulator 14 end<br>Same regulated pressure to ports 2 and 4 | Single pressure Regulator 12 end<br>Same regulated pressure to ports 2 and 4 | Dual pressure Regulator 14 end<br>Regulated pressure to port 4 * | Dual pressure Regulator 12 end<br>Regulated pressure to port 2 * | Dual pressure Dual regulator<br>Two regulated pressures to ports 2 and 4 * |
|------------------------------------|--|--|--|--|--|
| No gage                            | PRA1A-GAAA   | PRA1A-GCAA   | PRA1A-GBAA   | PRA1A-GDAA   | PRA1A-GEAA   |
| Gage perpendicular to regulator(s) | PRA1A-GABA   | PRA1A-GCBA   | PRA1A-GBBA   | PRA1A-GDBA   | PRA1A-GECA   |
| Gage parallel to regulator(s)      | PRA1A-GADA   | PRA1A-GCDA   | PRA1A-GBDA   | PRA1A-GDDA   | PRA1A-GEEA   |

PR93A  
  
PRA01A  
PRA02A

EXTERNAL PILOT AND REMOTE AIR

| Gage                               | Single pressure Regulator 14 end<br>Same regulated pressure to ports 2 and 4 | Single pressure Regulator 12 end<br>Same regulated pressure to ports 2 and 4 | Dual pressure Regulator 14 end<br>Regulated pressure to port 4 * | Dual pressure Regulator 12 end<br>Regulated pressure to port 2 * | Dual pressure Dual regulator<br>Two regulated pressures to ports 2 and 4 * |
|------------------------------------|--|--|--|--|--|
| No gage                            | PRA1A-HAAA   | PRA1A-HCAA   | PRA1A-HBAA   | PRA1A-HDAA   | PRA1A-HEAA   |
| Gage perpendicular to regulator(s) | PRA1A-HABA   | PRA1A-HCBA   | PRA1A-HBBA   | PRA1A-HDBA   | PRA1A-HECA   |
| Gage parallel to regulator(s)      | PRA1A-HADA   | PRA1A-HCDA   | PRA1A-HBDA   | PRA1A-HDDA   | PRA1A-HEEA   |

PRA1A  
  
PRP1A  
  
PRA2D  
  
PRP2B

\* - To be used with dual pressure valves.  
Note : regulating range for above models is 0-120 PSI. For other ranges see technical data page.

Main valve body assembly must be external pilot model. Pilots are supplied internally from primary pressure in regulator block. Cannot field convert regulator block from Single Pressure to dual pressure. Body/Block to base mounting screw #35336.

**ADJUSTMENT OPTIONS**

PRA1A-xxxx

- A** for slotted stem adjustment (internal pilot)
- B** for slotted stem adjustment (external/remote air)
- K** for slotted stem with locknut (internal pilot)
- L** for slotted stem with locknut (external/remote air)

PRA3C  
  
PRP3B

**TECHNICAL DATA**

|                            |  |
|----------------------------|--|
| <b>Fluid :</b>             | Compressed air, inert gases  |
| <b>Pressure range :</b>    | 0 to 150 PSI   |
| <b>Regulating range :</b>  | 0 to 120 PSI (other ranges see below)  |
| <b>Lubrication :</b>       | Not required, if used select a medium aniline point lubricant (between 180°F to 210°F) |
| <b>Filtration :</b>        | 40 μ   |
| <b>Temperature range :</b> | 0°F to 120°F (-18°C to +50°C)  |
| <b>Flow :</b>              | 1.0 C <sub>v</sub>   |

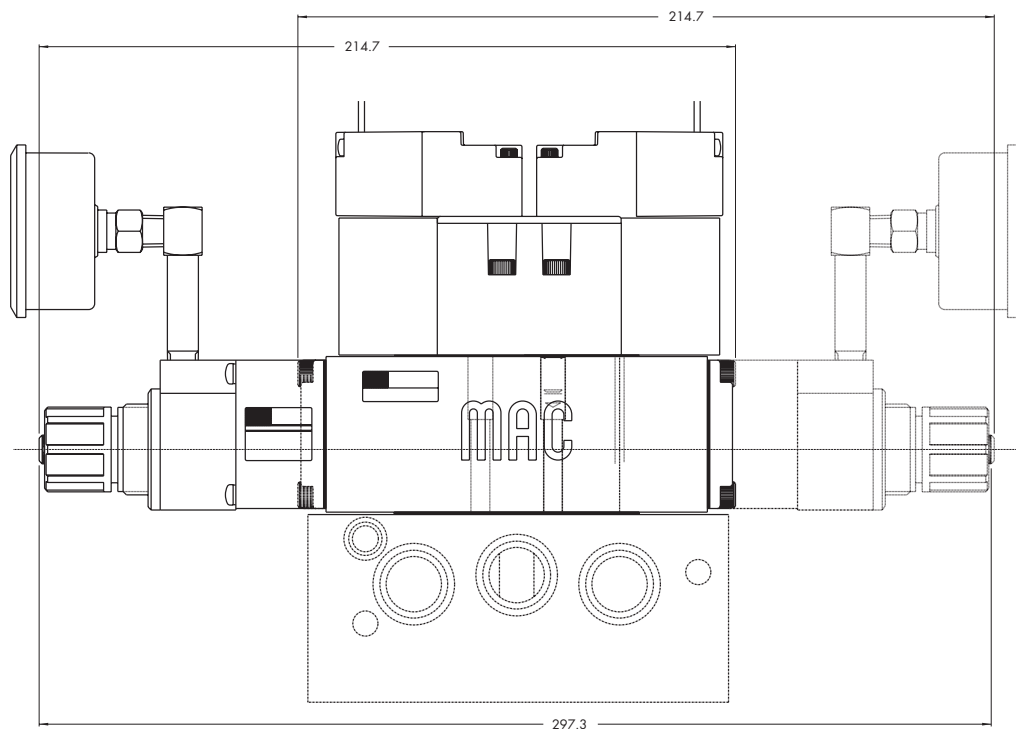
- Spare parts :
- Pressure regulator (less sandwich block) : PRA1A-JOAA (KNOB), PRA1A-COAA (SLOTTED STEM), PRA1A-M0AA (SLOTTED STEM WITH LOCKNUT).
  - Gage : N-82016-01 (0-120 PSI perpendicular)  
 N-82016-02 (0-120 PSI parallel)  
 N-82016-03 (0-80 PSI perpendicular)  
 N-82016-04 (0-80 PSI parallel)  
 N-82016-05 (0-30 PSI perpendicular)  
 N-82016-06 (0-30 PSI parallel)

Regulating range options : PRA1A-XXXX

- Replace by B - 0 to 80 PSI
- Replace by C - 0 to 30 PSI
- Replace by D - 0 to 120 PSI on "14" end - 0 to 80 PSI on "12" end
- Replace by E - 0 to 120 PSI on "12" end - 0 to 80 PSI on "14" end
- Replace by F - 0 to 120 PSI on "14" end - 0 to 30 PSI on "12" end
- Replace by G - 0 to 120 PSI on "12" end - 0 to 30 PSI on "14" end
- Replace by H - 0 to 80 PSI on "14" end - 0 to 30 PSI on "12" end
- Replace by J - 0 to 80 PSI on "12" end - 0 to 30 PSI on "14" end

**DIMENSIONS**

Dimensions shown are metric (mm)



**Non plug-in sandwich pressure regulator with air pilot adjust**

**OPERATIONAL BENEFITS**

1. Easy mounting : saves on installation costs in comparison with inline regulators.
2. Allows to have compact, all-included units.
3. Large orifice provides high flow.
4. Various functions available.
5. Simple, reliable and solid design.



PR37A  
PR42B  
PR46A  
PR47A  
PR48B  
  
PR92C

**HOW TO ORDER**

INTERNAL PILOT

| Gage                               | Single pressure Regulator 14 end Same regulated pressure to ports 2 and 4 | Single pressure Regulator 12 end Same regulated pressure to ports 2 and 4 | Dual pressure Regulator 14 end Regulated pressure to port 4 * | Dual pressure Regulator 12 end Regulated pressure to port 2 * | Dual pressure Dual regulator Two regulated pressures to ports 2 and 4 * |
|------------------------------------|---|---|---|---|---|
| No gage                            | PRA1A-DAAA  | PRA1A-DCAA  | PRA1A-DBAA  | PRA1A-DDAA  | PRA1A-DEAA  |
| Gage perpendicular to regulator(s) | PRA1A-DABA  | PRA1A-DCBA  | PRA1A-DBBA  | PRA1A-DDBA  | PRA1A-DECA  |
| Gage parallel to regulator(s)      | PRA1A-DADA  | PRA1A-DCDA  | PRA1A-DBDA  | PRA1A-DDDA  | PRA1A-DEEA  |

PR93A

PRA01A

PRA02A

EXTERNAL PILOT AND REMOTE AIR

| Gage                               | Single pressure Regulator 14 end Same regulated pressure to ports 2 and 4 | Single pressure Regulator 12 end Same regulated pressure to ports 2 and 4 | Dual pressure Regulator 14 end Regulated pressure to port 4 * | Dual pressure Regulator 12 end Regulated pressure to port 2 * | Dual pressure Dual regulator Two regulated pressures to ports 2 and 4 * |
|------------------------------------|---|---|---|---|---|
| No gage                            | PRA1A-EAAA  | PRA1A-ECAA  | PRA1A-EBAA  | PRA1A-EDAA  | PRA1A-EEAA  |
| Gage perpendicular to regulator(s) | PRA1A-EABA  | PRA1A-ECBA  | PRA1A-EBBA  | PRA1A-EDBA  | PRA1A-EECA  |
| Gage parallel to regulator(s)      | PRA1A-EADA  | PRA1A-ECDA  | PRA1A-EBDA  | PRA1A-EDDA  | PRA1A-EEEA  |

PRA1A

PRP1A

PRA2D

PRP2B

PRA3C

PRP3B

\* - To be used with dual pressure valves.

Main valve body assembly must be external pilot model. Pilots are supplied internally from primary pressure in regulator block. Cannot field convert regulator block from Single Pressure to dual pressure. Body/Block to base mounting screw #35336.

**TECHNICAL DATA**

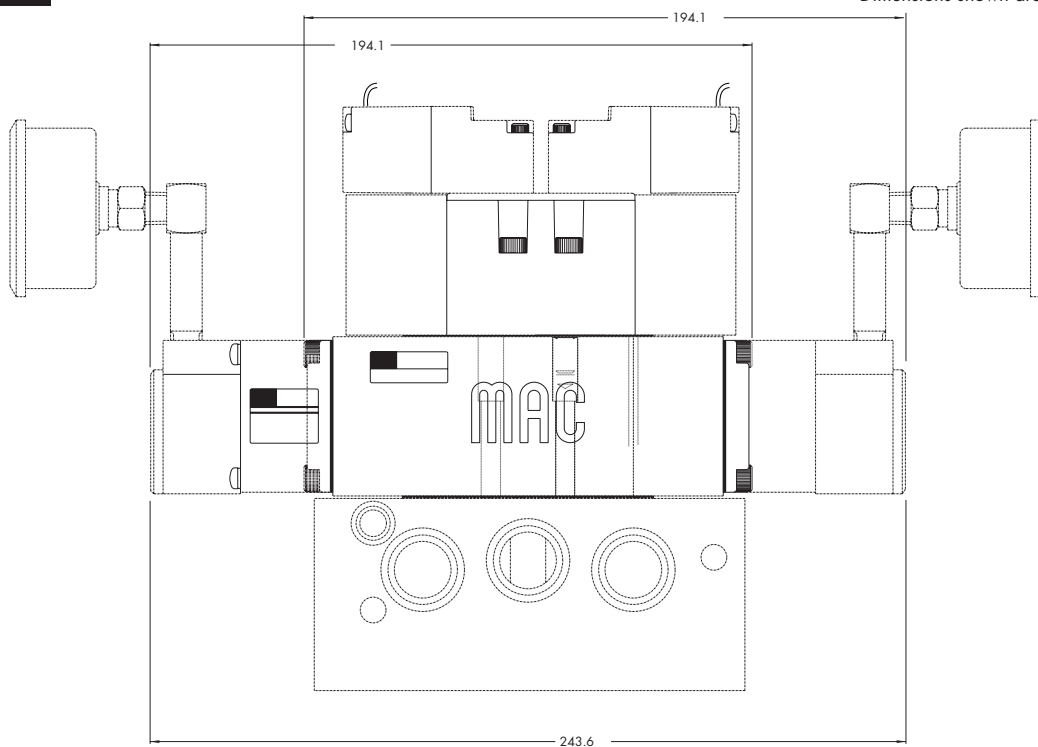
|                            |  |
|----------------------------|--|
| <b>Fluid :</b>             | Compressed air, inert gases  |
| <b>Pressure range :</b>    | 0 to 150 PSI   |
| <b>Regulating range :</b>  | 0 to 120 PSI   |
| <b>Lubrication :</b>       | Not required, if used select a medium aniline point lubricant (between 180°F to 210°F) |
| <b>Filtration :</b>        | 40 μ   |
| <b>Temperature range :</b> | 0°F to 120°F (-18°C to +50°C)  |
| <b>Flow :</b>              | 1.0 C <sub>v</sub>   |

Spare parts :

- Pressure regulator (less sandwich block) : PRA1A-FOAA.
- Gage : N-82016-01 (0-120 PSI perpendicular)  
N-82016-02 (0-120 PSI parallel)

**DIMENSIONS**

Dimensions shown are metric (mm)





**Plug-in sandwich pressure regulator with manual adjust knob**

**OPERATIONAL BENEFITS**

1. Easy mounting; saves on installation costs in comparison with inline regulators.
2. Compact all-included units.
3. Large orifice provides high flow.
4. Various functions available.
5. Simple, reliable and solid design.



PR37A  
PR42B  
PR46A  
PR47A  
PR48B  
  
PR92C

PR93A

PRA01A

PRA02A

PRA1A

**PRP1A**

PRA2D

PRP2B

PRA3C

PRP3B

**HOW TO ORDER**

REGULATORS FOR INTERNAL PILOT (CODED FOR KNOB ADJUSTMENT)

| Gage   | Single pressure Regulator 14 end Same regulated pressure to ports 2 and 4 | Single pressure Regulator 12 end Same regulated pressure to ports 2 and 4 | Dual pressure Regulator 14 end Regulated pressure to port 4 * | Dual pressure Regulator 12 end Regulated pressure to port 2 * | Dual pressure Dual regulator Two regulated pressures to ports 2 and 4 * |
|--|---|---|---|---|---|
| <b>Gage port only</b>                        | PRP1A-GAKA  | PRP1A-GCKA  | PRP1A-GBKA  | PRP1A-GDKA  | PRP1A-GEKA  |
| <b>Gage perpendicular to manual operator</b> | PRP1A-GABA  | PRP1A-GCBA  | PRP1A-GBBA  | PRP1A-GDBA  | PRP1A-GECA  |
| <b>Gage parallel to manual operator</b>      | PRP1A-GADA  | PRP1A-GCDA  | PRP1A-GBDA  | PRP1A-GDDA  | PRP1A-GEEA  |

REGULATORS FOR EXTERNAL PILOT AND REMOTE AIR (CODED FOR KNOB ADJUSTMENT)

| Gage   | Single pressure Regulator 14 end Same regulated pressure to ports 2 and 4 | Single pressure Regulator 12 end Same regulated pressure to ports 2 and 4 | Dual pressure Regulator 14 end Regulated pressure to port 4 * | Dual pressure Regulator 12 end Regulated pressure to port 2 * | Dual pressure Dual regulator Two regulated pressures to ports 2 and 4 * |
|--|---|---|---|---|---|
| <b>No gage</b>                               | PRP1A-HAKA  | PRP1A-HCKA  | PRP1A-HBKA  | PRP1A-HDKA  | PRP1A-HEKA  |
| <b>Gage perpendicular to manual operator</b> | PRP1A-HABA  | PRP1A-HCBA  | PRP1A-HBBA  | PRP1A-HDBA  | PRP1A-HECA  |
| <b>Gage parallel to manual operator</b>      | PRP1A-HADA  | PRP1A-HCDA  | PRP1A-HBDA  | PRP1A-HDDA  | PRP1A-HEEA  |

\* For use with dual pressure valves.

Note: Regulating range for above models is 0 - 120 PSI. For other ranges see technical data page.

**ADJUSTMENT OPTIONS**

PRP1A-xxxx

- A** for slotted stem adjustment (internal pilot)
- B** for slotted stem adjustment (external/remote air)
- K** for slotted stem with locknut (internal pilot)
- L** for slotted stem with locknut (external/remote air)

Notes:

1. Valves used with above models must be external pilot models.
2. Cannot field convert regulator block from single pressure to dual pressure.
3. Cannot field convert from internal pilot to external pilot.
4. Wired for double solenoid valves.

**TECHNICAL DATA**

|                            |  |
|----------------------------|--|
| <b>Fluid :</b>             | Compressed air, inert gases  |
| <b>Pressure range :</b>    | 0 to 150 PSI   |
| <b>Regulating range :</b>  | 0 to 120 PSI (other ranges see below)  |
| <b>Lubrication :</b>       | Not required, if used select a medium aniline point lubricant (between 180°F to 210°F) |
| <b>Filtration :</b>        | 40 μ   |
| <b>Temperature range :</b> | 0°F to 120°F (-18°C to +50°C)  |
| <b>Flow :</b>              | 1.1 C <sub>v</sub>   |

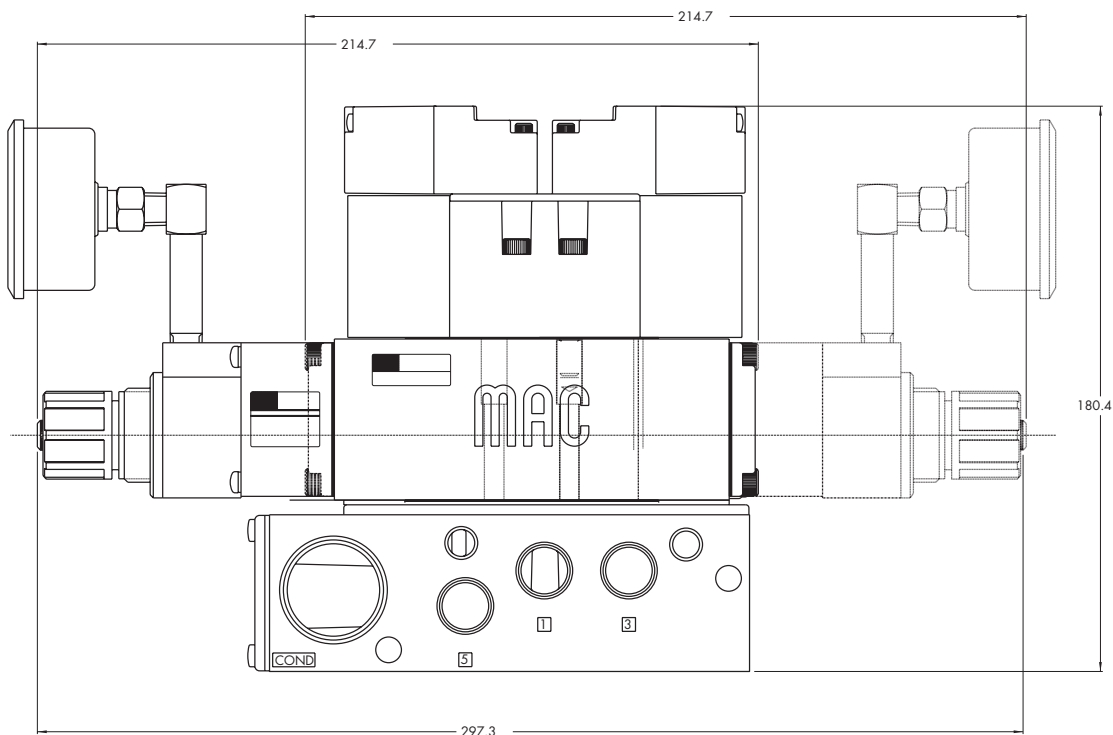
Spare parts :      • Pressure regulator (less sandwich block) : PRP1A-JOKA (knob), PRP1A-COKA (slotted stem)  
PRP1A-MOKA (slotted stem with locknut)

Regulating range options : PRP1A-XXXX

- Replace by B - 0 to 80 PSI
- Replace by C - 0 to 30 PSI
- Replace by D - 0 to 120 PSI on "14" end - 0 to 80 PSI on "12" end
- Replace by E - 0 to 120 PSI on "12" end - 0 to 80 PSI on "14" end
- Replace by F - 0 to 120 PSI on "14" end - 0 to 30 PSI on "12" end
- Replace by G - 0 to 120 PSI on "12" end - 0 to 30 PSI on "14" end
- Replace by H - 0 to 80 PSI on "14" end - 0 to 30 PSI on "12" end
- Replace by J - 0 to 80 PSI on "12" end - 0 to 30 PSI on "14" end

**DIMENSIONS**

Dimensions shown are metric (mm)



**Plug-in sandwich pressure regulator with air pilot adjust**

**OPERATIONAL BENEFITS**

1. Easy mounting; saves on installation costs in comparison with inline regulators.
2. Compact all-included units.
3. Large orifice provides high flow.
4. Various functions available.
5. Simple, reliable and solid design.



PR37A  
PR42B  
PR46A  
PR47A  
PR48B  
  
PR92C

PR93A

PRA01A

PRA02A

PRA1A

**PRP1A**

PRA2D

PRP2B

PRA3C

PRP3B

**HOW TO ORDER**

REGULATORS FOR INTERNAL PILOT

| Gage                                  | Single pressure Regulator 14 end Same regulated pressure to ports 2 and 4 | Single pressure Regulator 12 end Same regulated pressure to ports 2 and 4 | Dual pressure Regulator 14 end Regulated pressure to port 4 * | Dual pressure Regulator 12 end Regulated pressure to port 2 * | Dual pressure Dual regulator Two regulated pressures to ports 2 and 4 * |
|---------------------------------------|---|---|---|---|---|
| Gage port only                        | PRP1A-DAKA  | PRP1A-DCKA  | PRP1A-DBKA  | PRP1A-DDKA  | PRP1A-DEKA  |
| Gage perpendicular to manual operator | PRP1A-DABA  | PRP1A-DCBA  | PRP1A-DBBA  | PRP1A-DDBA  | PRP1A-DECA  |
| Gage parallel to manual operator      | PRP1A-DADA  | PRP1A-DCDA  | PRP1A-DBDA  | PRP1A-DDDA  | PRP1A-DEEA  |

REGULATORS FOR EXTERNAL PILOT AND REMOTE AIR

| Gage                                  | Single pressure Regulator 14 end Same regulated pressure to ports 2 and 4 | Single pressure Regulator 12 end Same regulated pressure to ports 2 and 4 | Dual pressure Regulator 14 end Regulated pressure to port 4 * | Dual pressure Regulator 12 end Regulated pressure to port 2 * | Dual pressure Dual regulator Two regulated pressures to ports 2 and 4 * |
|---------------------------------------|---|---|---|---|---|
| Gage port only                        | PRP1A-EAKA  | PRP1A-ECKA  | PRP1A-EBKA  | PRP1A-EDKA  | PRP1A-EEKA  |
| Gage perpendicular to manual operator | PRP1A-EABA  | PRP1A-ECBA  | PRP1A-EBBA  | PRP1A-EDBA  | PRP1A-EECA  |
| Gage parallel to manual operator      | PRP1A-EADA  | PRP1A-ECDA  | PRP1A-EBDA  | PRP1A-EDDA  | PRP1A-EEEA  |

\* - To be used with dual pressure valves.

Notes:

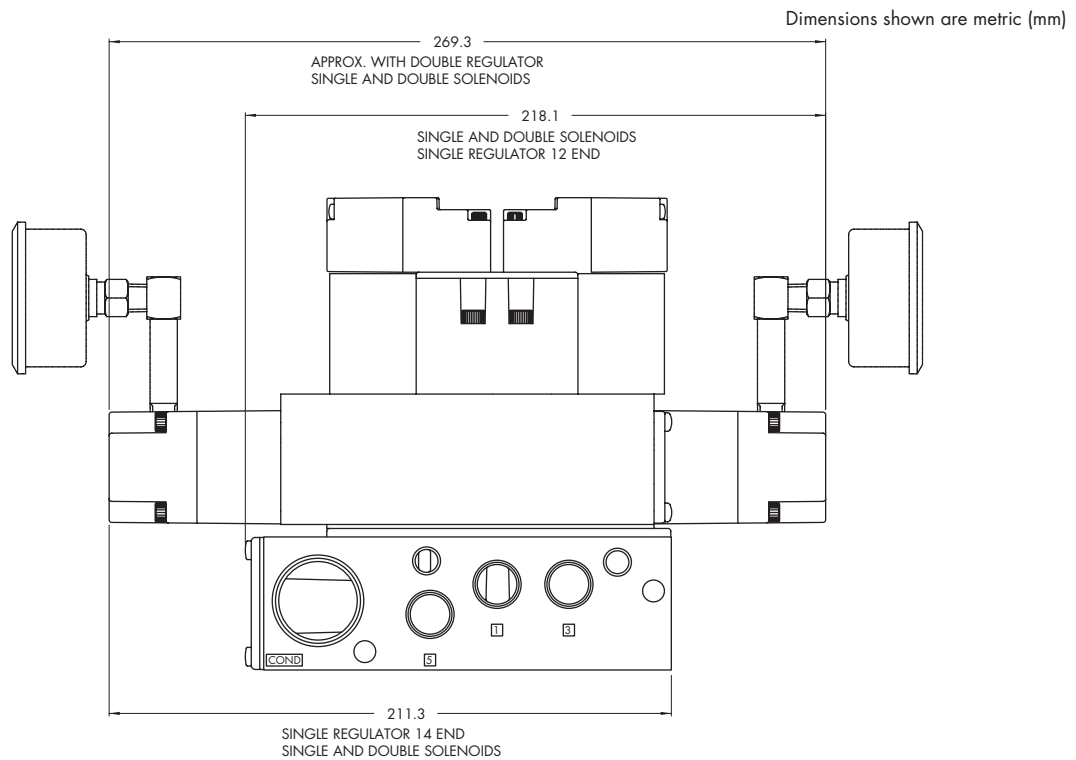
1. Valves used with above models must be external pilot models.
2. Cannot field convert regulator block from single pressure to dual pressure.
3. Cannot field convert from internal pilot to external pilot.
4. Wired for double solenoid valves.

**TECHNICAL DATA**

|                            |  |
|----------------------------|--|
| <b>Fluid :</b>             | Compressed air, inert gases  |
| <b>Pressure range :</b>    | 0 to 150 PSI   |
| <b>Regulating range :</b>  | 0 to 120 PSI   |
| <b>Lubrication :</b>       | Not required, if used select a medium aniline point lubricant (between 180°F to 210°F) |
| <b>Filtration :</b>        | 40 μ   |
| <b>Temperature range :</b> | 0°F to 120°F (-18°C to +50°C)  |
| <b>Flow :</b>              | 1.1 C <sub>v</sub>   |

- Spare parts :
- Pressure regulator (less sandwich block): PRP1A-FOKA
  - Regulator block to base mounting tie rod: 19496

**DIMENSIONS**



**Non plug-in sandwich pressure regulator with manual adjust knob**

**OPERATIONAL BENEFITS**

1. Easy mounting : saves on installation costs in comparison with inline regulators.
2. Allows to have compact, all-included units.
3. Large orifice provides high flow.
4. Various functions available.
5. Simple, reliable and solid design.



PR37A  
PR42B  
PR46A  
PR47A  
PR48B  
  
PR92C

**HOW TO ORDER**

INTERNAL PILOT

| Gage  | Single pressure Regulator 14 end<br>Same regulated pressure to ports 2 and 4 | Single pressure Regulator 12 end<br>Same regulated pressure to ports 2 and 4 | Dual pressure Regulator 14 end<br>Regulated pressure to port 4 * | Dual pressure Regulator 12 end<br>Regulated pressure to port 2 * | Dual pressure Dual regulator<br>Two regulated pressures to ports 2 and 4 * |
|---|--|--|--|--|--|
| No gage                                     | PRA2D-1AAA   | PRA2D-1EAA   | PRA2D-1BAA   | PRA2D-1FAA   | PRA2D-1JAA   |
| Non-filled gage on regulator(s)             | PRA2D-1ADA   | PRA2D-1EDA   | PRA2D-1BDA   | PRA2D-1FDA   | PRA2D-1JEA   |
| Non-filled gage opposite to regulator       | PRA2D-1CDA   | PRA2D-1GDA   | PRA2D-1DDA   | PRA2D-1HDA   | -----  |
| Glycerine filled gage on regulator(s)       | PRA2D-1ABA   | PRA2D-1EBA   | PRA2D-1BBA   | PRA2D-1FBA   | PRA2D-1JCA   |
| Glycerine filled gage opposite to regulator | PRA2D-1CBA   | PRA2D-1GBA   | PRA2D-1DBA   | PRA2D-1HBA   | -----  |

PR93A

PRA01A

PRA02A

PRA1A

EXTERNAL PILOT AND REMOTE AIR

| Gage  | Single pressure Regulator 14 end<br>Same regulated pressure to ports 2 and 4 | Single pressure Regulator 12 end<br>Same regulated pressure to ports 2 and 4 | Dual pressure Regulator 14 end<br>Regulated pressure to port 4 * | Dual pressure Regulator 12 end<br>Regulated pressure to port 2 * | Dual pressure Dual regulator<br>Two regulated pressures to ports 2 and 4 * |
|---|--|--|--|--|--|
| No gage                                     | PRA2D-2AAA   | PRA2D-2EAA   | PRA2D-2BAA   | PRA2D-2FAA   | PRA2D-2JAA   |
| Non-filled gage on regulator(s)             | PRA2D-2ADA   | PRA2D-2EDA   | PRA2D-2BDA   | PRA2D-2FDA   | PRA2D-2JEA   |
| Non-filled gage opposite to regulator       | PRA2D-2CDA   | PRA2D-2GDA   | PRA2D-2DDA   | PRA2D-2HDA   | -----  |
| Glycerine filled gage on regulator(s)       | PRA2D-2ABA   | PRA2D-2EBA   | PRA2D-2BBA   | PRA2D-2FBA   | PRA2D-2JCA   |
| Glycerine filled gage opposite to regulator | PRA2D-2CBA   | PRA2D-2GBA   | PRA2D-2DBA   | PRA2D-2HBA   | -----  |

PRP1A

**PRA2D**

PRP2B

PRA3C

PRP3B

\* - To be used with dual pressure valves.  
Note : regulating range for above models is 0-150 PSI.  
For other ranges see technical data page.

Main valve body assembly must be external pilot model. Pilots are supplied internally from primary pressure in regulator block. Cannot field convert regulator block from Single Pressure to dual pressure. Body/Block to base mounting screw #19177.

**ADJUSTMENT OPTIONS**

PRA2D-xxxx

- A** for slotted stem adjustment (internal pilot)
- B** for slotted stem adjustment (external pilot)
- D** for slotted stem with locknut (internal pilot)
- E** for slotted stem with locknut (external pilot)

**TECHNICAL DATA**

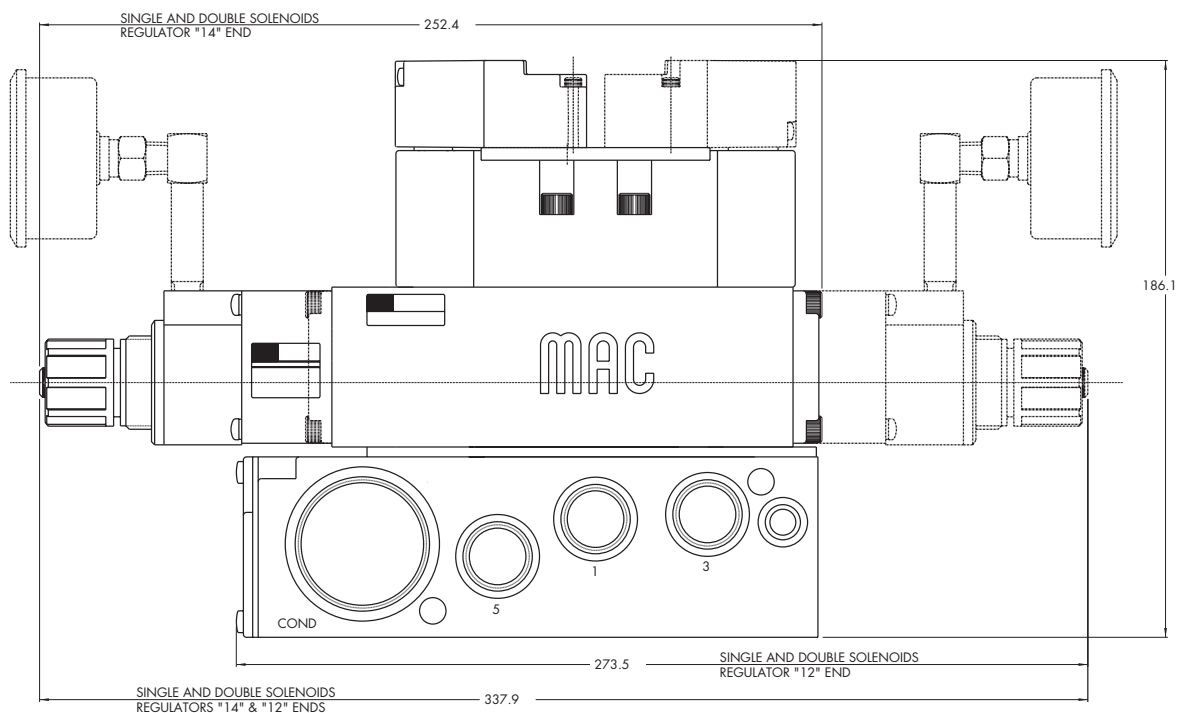
|                            |  |
|----------------------------|--|
| <b>Fluid :</b>             | Compressed air, inert gases  |
| <b>Pressure range :</b>    | 0 to 150 PSI   |
| <b>Regulating range :</b>  | 0 to 150 PSI (other ranges see below)  |
| <b>Lubrication :</b>       | Not required, if used select a medium aniline point lubricant (between 180°F to 210°F) |
| <b>Filtration :</b>        | 40 μ   |
| <b>Temperature range :</b> | 0°F to 120°F (-18°C to +50°C)  |
| <b>Flow :</b>              | 2.3 C <sub>v</sub>   |

Spare parts :   
 • Pressure regulator (less sandwich block) : PRA2D-30AA (KNOB), PRA2D-C0AA (SLOTTED STEM), PRA2D-F0AA (SLOTTED STEM WITH LOCKNUT).  
 • Gage : • Glycerine filled : N-62015-01  
 • Non filled : N-62016-01

Regulating range options : PRA2D-XXXX  
 Replace by B - 0 to 100 PSI  
 Replace by C - 0 to 45 PSI

**DIMENSIONS**

Dimensions shown are metric (mm)



**Non plug-in sandwich pressure regulator with air pilot adjust**

**OPERATIONAL BENEFITS**

1. Easy mounting : saves on installation costs in comparison with inline regulators.
2. Allows to have compact, all-included units.
3. Large orifice provides high flow.
4. Various functions available.
5. Simple, reliable and solid design.



PR37A  
PR42B  
PR46A  
PR47A  
PR48B  
  
PR92C

**HOW TO ORDER**

INTERNAL PILOT

| Gage  | Single pressure Regulator 14 end Same regulated pressure to ports 2 and 4 | Single pressure Regulator 12 end Same regulated pressure to ports 2 and 4 | Dual pressure Regulator 14 end Regulated pressure to port 4 * | Dual pressure Regulator 12 end Regulated pressure to port 2 * | Dual pressure Dual regulator Two regulated pressures to ports 2 and 4 * |
|---|---|---|---|---|---|
| No gage                                     | PRA2D-4AAA  | PRA2D-4EAA  | PRA2D-4BAA  | PRA2D-4FAA  | PRA2D-4JAA  |
| Non-filled gage on regulator(s)             | PRA2D-4ADA  | PRA2D-4EDA  | PRA2D-4BDA  | PRA2D-4FDA  | PRA2D-4JEA  |
| Non-filled gage opposite to regulator       | PRA2D-4CDA  | PRA2D-4GDA  | PRA2D-4DDA  | PRA2D-4HDA  | ----  |
| Glycerine filled gage on regulator(s)       | PRA2D-4ABA  | PRA2D-4EBA  | PRA2D-4BBA  | PRA2D-4FBA  | PRA2D-4JCA  |
| Glycerine filled gage opposite to regulator | PRA2D-4CBA  | PRA2D-4GBA  | PRA2D-4DBA  | PRA2D-4HBA  | ----  |

PR93A

PRA01A

PRA02A

PRA1A

EXTERNAL PILOT AND REMOTE AIR

| Gage  | Single pressure Regulator 14 end Same regulated pressure to ports 2 and 4 | Single pressure Regulator 12 end Same regulated pressure to ports 2 and 4 | Dual pressure Regulator 14 end Regulated pressure to port 4 * | Dual pressure Regulator 12 end Regulated pressure to port 2 * | Dual pressure Dual regulator Two regulated pressures to ports 2 and 4 * |
|---|---|---|---|---|---|
| No gage                                     | PRA2D-5AAA  | PRA2D-5EAA  | PRA2D-5BAA  | PRA2D-5FAA  | PRA2D-5JAA  |
| Non-filled gage on regulator(s)             | PRA2D-5ADA  | PRA2D-5EDA  | PRA2D-5BDA  | PRA2D-5FDA  | PRA2D-5JEA  |
| Non-filled gage opposite to regulator       | PRA2D-5CDA  | PRA2D-5GDA  | PRA2D-5DDA  | PRA2D-5HDA  | ----  |
| Glycerine filled gage on regulator(s)       | PRA2D-5ABA  | PRA2D-5EBA  | PRA2D-5BBA  | PRA2D-5FBA  | PRA2D-5JCA  |
| Glycerine filled gage opposite to regulator | PRA2D-5CBA  | PRA2D-5GBA  | PRA2D-5DBA  | PRA2D-5HBA  | ----  |

PRP1A

**PRA2D**

PRP2B

PRA3C

PRP3B

\* - To be used with dual pressure valves.

Main valve body assembly must be external pilot model. Pilots are supplied internally from primary pressure in regulator block. Cannot field convert regulator block from Single Pressure to dual pressure. Body/Block to base mounting screw #19177.

**TECHNICAL DATA**

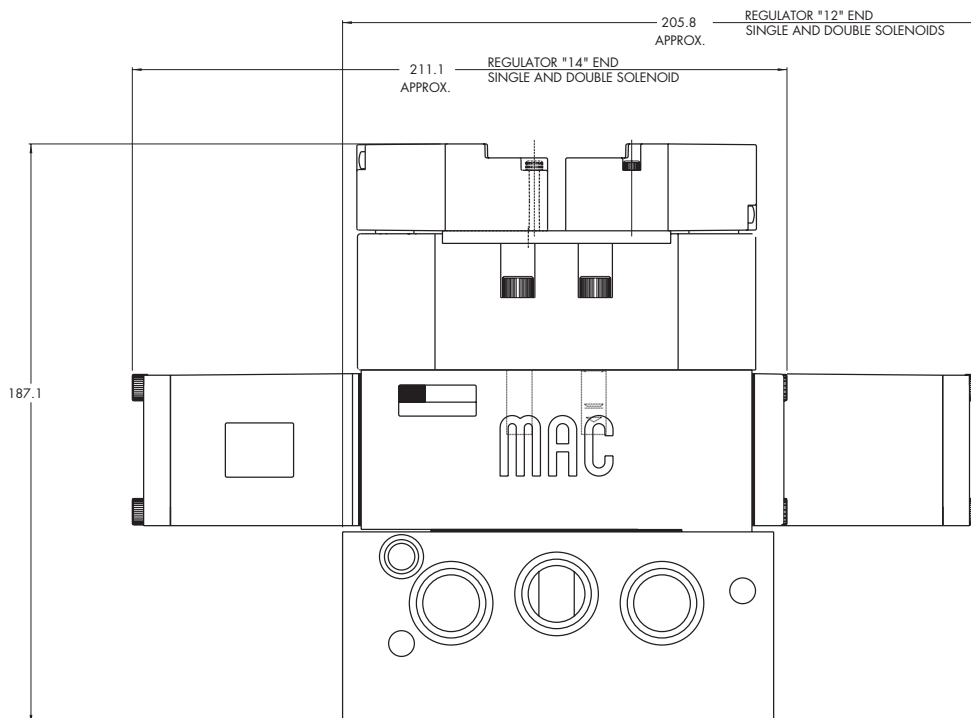
|                            |  |
|----------------------------|--|
| <b>Fluid :</b>             | Compressed air, inert gases  |
| <b>Pressure range :</b>    | 0 to 150 PSI   |
| <b>Regulating range :</b>  | 0 to 150 PSI   |
| <b>Lubrication :</b>       | Not required, if used select a medium aniline point lubricant (between 180°F to 210°F) |
| <b>Filtration :</b>        | 40 μ   |
| <b>Temperature range :</b> | 0°F to 120°F (-18°C to +50°C)  |
| <b>Flow :</b>              | 2.3 C <sub>v</sub>   |

Spare parts :

- Pressure regulator (less sandwich block) : PRA2D-60AA.
- Gage : • Glycerine filled : N-62015-01  
• Non filled : N-62016-01

**DIMENSIONS**

Dimensions shown are metric (mm)





**Plug-in sandwich pressure regulator with manual adjust knob**

**OPERATIONAL BENEFITS**

1. Easy mounting; saves on installation costs in comparison with inline regulators.
2. Compact all-included units.
3. Large orifice provides high flow.
4. Various functions available.
5. Simple, reliable and solid design.



PR37A  
PR42B  
PR46A  
PR47A  
PR48B  
  
PR92C

**HOW TO ORDER**

REGULATORS FOR INTERNAL PILOT (CODED FOR KNOB ADJUSTMENT)

| Gage            | Single pressure Regulator 14 end Same regulated pressure to ports 2 and 4 | Single pressure Regulator 12 end Same regulated pressure to ports 2 and 4 | Dual pressure Regulator 14 end Regulated pressure to port 4 * | Dual pressure Regulator 12 end Regulated pressure to port 2 * | Dual pressure Dual regulator Two regulated pressures to ports 2 and 4 * |
|-----------------|---|---|---|---|---|
| No gage         | PRP2B-AAAA  | PRP2B-AEAA  | PRP2B-ABAA  | PRP2B-AFAA  | PRP2B-AJAA  |
| Glycerine gage  | PRP2B-AABA  | PRP2B-AEBA  | PRP2B-ABBA  | PRP2B-AFBA  | PRP2B-AJCA  |
| Non-filled gage | PRP2B-AADA  | PRP2B-AEDA  | PRP2B-ABDA  | PRP2B-AFDA  | PRP2B-AJEA  |

PR93A  
  
PRA01A  
PRA02A

REGULATORS FOR EXTERNAL PILOT AND REMOTE AIR (CODED FOR KNOB ADJUSTMENT)

| Gage            | Single pressure Regulator 14 end Same regulated pressure to ports 2 and 4 | Single pressure Regulator 12 end Same regulated pressure to ports 2 and 4 | Dual pressure Regulator 14 end Regulated pressure to port 4 * | Dual pressure Regulator 12 end Regulated pressure to port 2 * | Dual pressure Dual regulator Two regulated pressures to ports 2 and 4 * |
|-----------------|---|---|---|---|---|
| No gage         | PRP2B-BAAA  | PRP2B-BEAA  | PRP2B-BBAA  | PRP2B-BFAA  | PRP2B-BJAA  |
| Glycerine gage  | PRP2B-BABA  | PRP2B-BEBA  | PRP2B-BBBA  | PRP2B-BFBA  | PRP2B-BJCA  |
| Non-filled gage | PRP2B-BADA  | PRP2B-BEDA  | PRP2B-BBDA  | PRP2B-BFDA  | PRP2B-BJEA  |

PRA1A  
PRP1A  
PRA2D

**PRP2B**

\* For use with dual pressure valves.

Note: Regulating range for above models is 0-150 PSI. For other ranges, see technical data page.

**ADJUSTMENT OPTIONS**

PRP2B-XXXX

- G** for slotted stem (internal pilot)
- H** for slotted stem (external pilot)
- K** for slotted stem with locknut (internal pilot)
- L** for slotted stem with locknut (external pilot)

Notes:

1. Valves used with above models must be external pilot models.
2. Cannot field convert regulator block from single pressure to dual pressure.
3. Cannot field convert from internal pilot to external pilot.
4. Wired for double solenoid valves.

PRA3C  
PRP3B

**TECHNICAL DATA**

|                            |  |
|----------------------------|--|
| <b>Fluid :</b>             | Compressed air, inert gases  |
| <b>Pressure range :</b>    | 0 to 150 PSI   |
| <b>Regulating range :</b>  | 0 to 150 PSI (other ranges see below)  |
| <b>Lubrication :</b>       | Not required, if used select a medium aniline point lubricant (between 180°F to 210°F) |
| <b>Filtration :</b>        | 40 μ   |
| <b>Temperature range :</b> | 0°F to 120°F (-18°C to +50°C)  |
| <b>Flow :</b>              | 3.1 C <sub>v</sub>   |

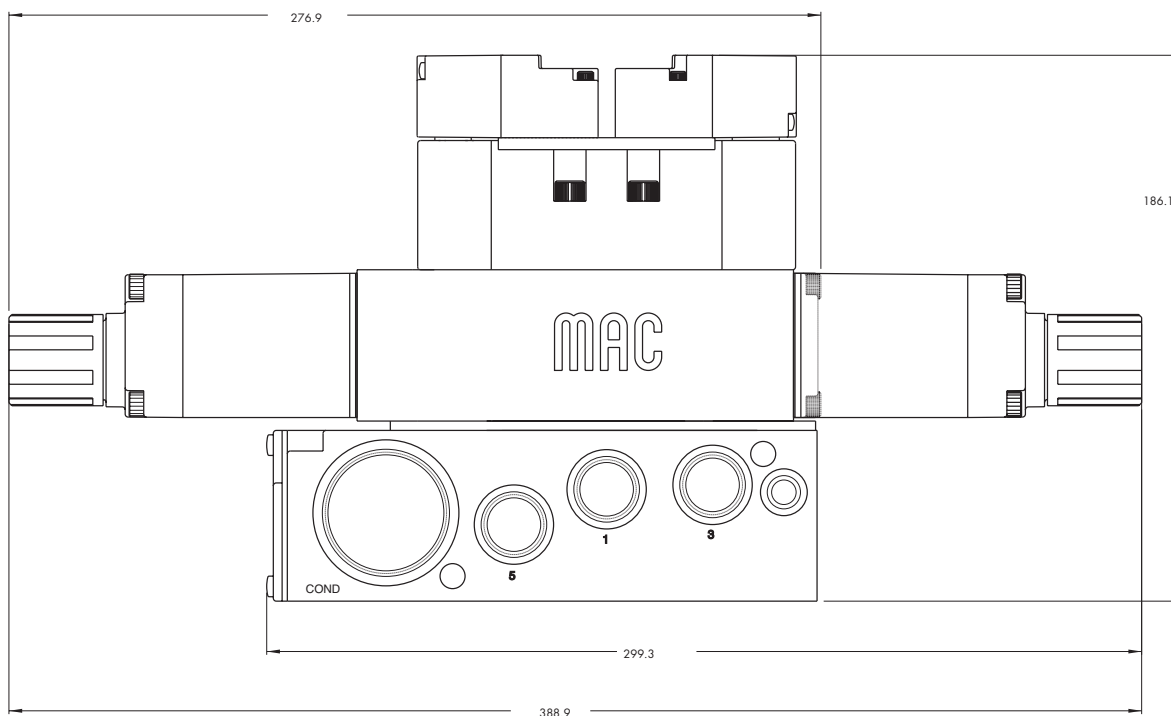
Spare parts :

- Pressure regulator (less sandwich block) : PRP2B-COAA (knob), PRP2B-JOAA (slotted stem), PRP2B-MOAA (slotted stem with locknut)
- Regulator block to base mounting screw: 19177
- Regulating range option: PRP2B-xxxA

Replace by B for 0 to 100 PSI  
Replace by C for 0 to 45 PSI

**DIMENSIONS**

Dimensions shown are metric (mm)



**Plug-in sandwich pressure regulator with air pilot adjust**

**OPERATIONAL BENEFITS**

1. Easy mounting; saves on installation costs in comparison with inline regulators.
2. Compact all-included units.
3. Large orifice provides high flow.
4. Various functions available.
5. Simple, reliable and solid design.



PR37A  
PR42B  
PR46A  
PR47A  
PR48B  
  
PR92C

**HOW TO ORDER**

REGULATORS FOR INTERNAL PILOT

| Gage            | Single pressure Regulator 14 end Same regulated pressure to ports 2 and 4 | Single pressure Regulator 12 end Same regulated pressure to ports 2 and 4 | Dual pressure Regulator 14 end Regulated pressure to port 4 * | Dual pressure Regulator 12 end Regulated pressure to port 2 * | Dual pressure Dual regulator Two regulated pressures to ports 2 and 4 * |
|-----------------|---|---|---|---|---|
| No gage         | PRP2B-DAAA  | PRP2B-DEAA  | PRP2B-DBAA  | PRP2B-DFAA  | PRP2B-DJAA  |
| Glycerine gage  | PRP2B-DABA  | PRP2B-DEBA  | PRP2B-DBBA  | PRP2B-DFBA  | PRP2B-DJCA  |
| Non-filled gage | PRP2B-DADA  | PRP2B-DEDA  | PRP2B-DBDA  | PRP2B-DFDA  | PRP2B-DJEA  |

PR93A  
  
PRA01A  
PRA02A

REGULATORS FOR EXTERNAL PILOT AND REMOTE AIR

| Gage            | Single pressure Regulator 14 end Same regulated pressure to ports 2 and 4 | Single pressure Regulator 12 end Same regulated pressure to ports 2 and 4 | Dual pressure Regulator 14 end Regulated pressure to port 4 * | Dual pressure Regulator 12 end Regulated pressure to port 2 * | Dual pressure Dual regulator Two regulated pressures to ports 2 and 4 * |
|-----------------|---|---|---|---|---|
| No gage         | PRP2B-EAAA  | PRP2B-EEAA  | PRP2B-EBAA  | PRP2B-EFAA  | PRP2B-EJAA  |
| Glycerine gage  | PRP2B-EABA  | PRP2B-EEBA  | PRP2B-EBBA  | PRP2B-EFBA  | PRP2B-EJCA  |
| Non-filled gage | PRP2B-EADA  | PRP2B-EEDA  | PRP2B-EBDA  | PRP2B-EFDA  | PRP2B-EJEA  |

PRA1A  
PRP1A  
PRA2D

**PRP2B**

\* - To be used with dual pressure valves.

Notes:

1. Valves used with above models must be external pilot models.
2. Cannot field convert regulator block from single pressure to dual pressure.
3. Cannot field convert from internal pilot to external pilot.
4. Wired for double solenoid valves.

PRA3C

PRP3B

**TECHNICAL DATA**

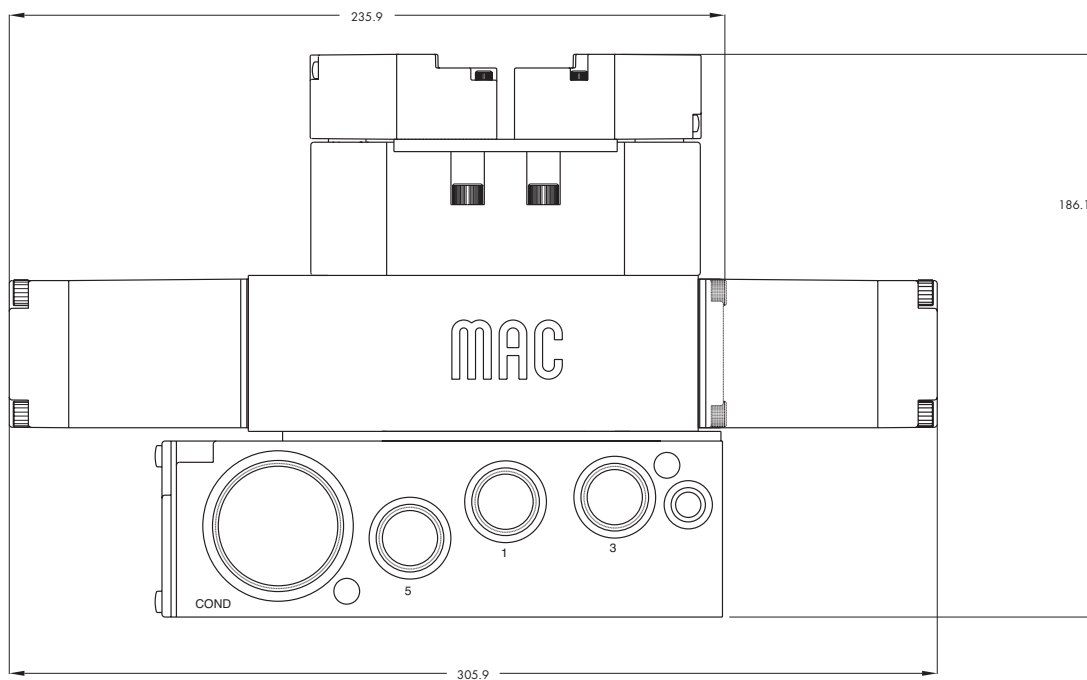
|                            |  |
|----------------------------|--|
| <b>Fluid :</b>             | Compressed air, inert gases  |
| <b>Pressure range :</b>    | 0 to 150 PSI   |
| <b>Regulating range :</b>  | 0 to 150 PSI   |
| <b>Lubrication :</b>       | Not required, if used select a medium aniline point lubricant (between 180°F to 210°F) |
| <b>Filtration :</b>        | 40 μ   |
| <b>Temperature range :</b> | 0°F to 120°F (-18°C to +50°C)  |
| <b>Flow :</b>              | 3.1 C <sub>v</sub>   |

Spare parts :

- Pressure regulator (less sandwich block): PRP2B-F0AA
- Body/block to base mounting screw: 19177

**DIMENSIONS**

Dimensions shown are metric (mm)



**Non plug-in sandwich pressure regulator with manual adjust knob**

**OPERATIONAL BENEFITS**

1. Easy mounting : saves on installation costs in comparison with inline regulators.
2. Allows to have compact, all-included units.
3. Large orifice provides high flow.
4. Various functions available.
5. Simple, reliable and solid design.



PR37A  
PR42B  
PR46A  
PR47A  
PR48B  
  
PR92C

**HOW TO ORDER**

INTERNAL PILOT

| Gage  | Single pressure Regulator 14 end Same regulated pressure to ports 2 and 4 | Single pressure Regulator 12 end Same regulated pressure to ports 2 and 4 | Dual pressure Regulator 14 end Regulated pressure to port 4 * | Dual pressure Regulator 12 end Regulated pressure to port 2 * | Dual pressure Dual regulator Two regulated pressures to ports 2 and 4 * |
|---|---|---|---|---|---|
| No gage                                     | PRA3C-1AAA  | PRA3C-1EAA  | PRA3C-1BAA  | PRA3C-1FAA  | PRA3C-1JAA  |
| Non-filled gage on regulator(s)             | PRA3C-1ADA  | PRA3C-1EDA  | PRA3C-1BDA  | PRA3C-1FDA  | PRA3C-1JEA  |
| Non-filled gage opposite to regulator       | PRA3C-1CDA  | PRA3C-1GDA  | PRA3C-1DDA  | PRA3C-1HDA  | -----   |
| Glycerine filled gage on regulator(s)       | PRA3C-1ABA  | PRA3C-1EBA  | PRA3C-1BBA  | PRA3C-1FBA  | PRA3C-1JCA  |
| Glycerine filled gage opposite to regulator | PRA3C-1CBA  | PRA3C-1GBA  | PRA3C-1DBA  | PRA3C-1HBA  | -----   |

PR93A  
  
PRA01A  
PRA02A  
  
PRA1A

EXTERNAL PILOT AND REMOTE AIR

| Gage  | Single pressure Regulator 14 end Same regulated pressure to ports 2 and 4 | Single pressure Regulator 12 end Same regulated pressure to ports 2 and 4 | Dual pressure Regulator 14 end Regulated pressure to port 4 * | Dual pressure Regulator 12 end Regulated pressure to port 2 * | Dual pressure Dual regulator Two regulated pressures to ports 2 and 4 * |
|---|---|---|---|---|---|
| No gage                                     | PRA3C-2AAA  | PRA3C-2EAA  | PRA3C-2BAA  | PRA3C-2FAA  | PRA3C-2JAA  |
| Non-filled gage on regulator(s)             | PRA3C-2ADA  | PRA3C-2EDA  | PRA3C-2BDA  | PRA3C-2FDA  | PRA3C-2JEA  |
| Non-filled gage opposite to regulator       | PRA3C-2CDA  | PRA3C-2GDA  | PRA3C-2DDA  | PRA3C-2HDA  | -----   |
| Glycerine filled gage on regulator(s)       | PRA3C-2ABA  | PRA3C-2EBA  | PRA3C-2BBA  | PRA3C-2FBA  | PRA3C-2JCA  |
| Glycerine filled gage opposite to regulator | PRA3C-2CBA  | PRA3C-2GBA  | PRA3C-2DBA  | PRA3C-2HBA  | -----   |

PRP1A  
  
PRA2D  
  
PRP2B

\* - To be used with dual pressure valves.  
Note : regulating range for above models is 0-150 PSI.  
For other ranges see technical data page.

Main valve body assembly must be external pilot model. Pilots are supplied internally from primary pressure in regulator block. Cannot field convert regulator block from Single Pressure to dual pressure. Body/Block to base mounting screw #35418.

**ADJUSTMENT OPTIONS**

PRA3C-xxxx

- A for slotted stem adjustment (internal pilot)
- B for slotted stem adjustment (external pilot)
- D for slotted stem with locknut (internal pilot)
- E for slotted stem with locknut (external pilot)

PRA3C  
  
PRP3B

**TECHNICAL DATA**

|                            |  |
|----------------------------|--|
| <b>Fluid :</b>             | Compressed air, inert gases  |
| <b>Pressure range :</b>    | 0 to 150 PSI   |
| <b>Regulating range :</b>  | 0 to 150 PSI (other ranges see below)  |
| <b>Lubrication :</b>       | Not required, if used select a medium aniline point lubricant (between 180°F to 210°F) |
| <b>Filtration :</b>        | 40 μ   |
| <b>Temperature range :</b> | 0°F to 120°F (-18°C to +50°C)  |
| <b>Flow :</b>              | 5.4 C <sub>v</sub>   |

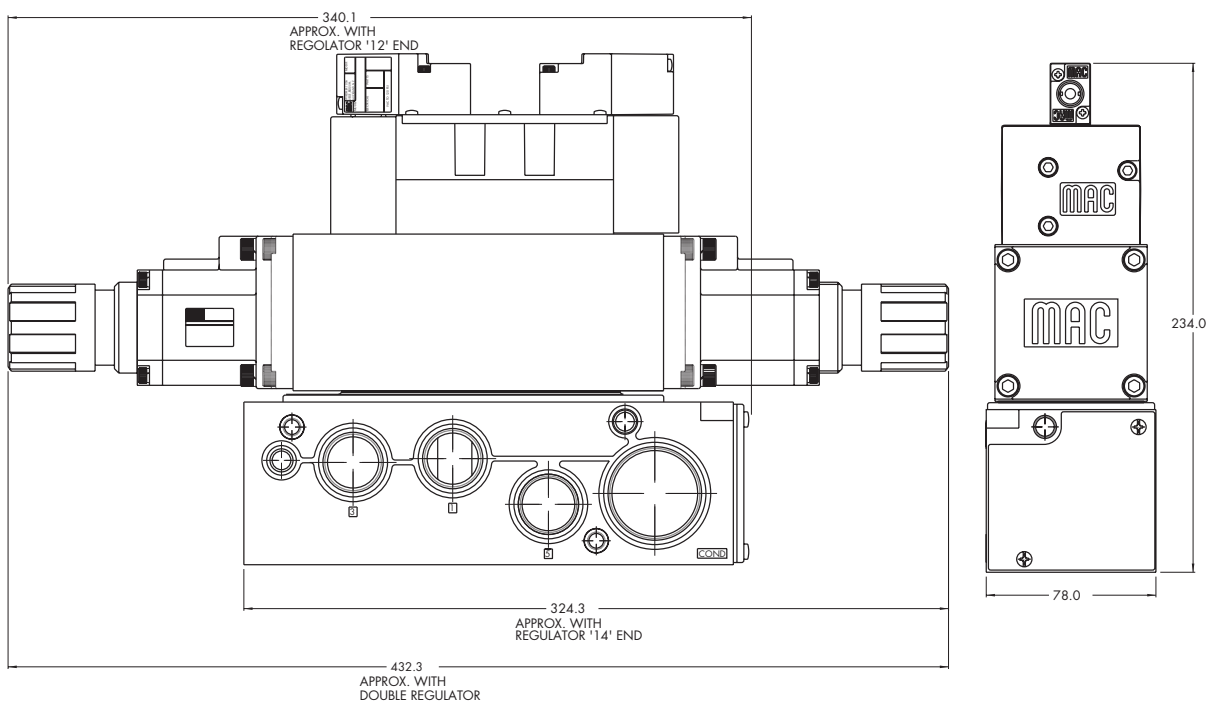
Spare parts :   
 • Pressure regulator (less sandwich block) : PRA3C-30AA (KNOB), PRA3C-C0AA (SLOTTED STEM), PRA3C-F0AA (SLOTTED STEM WITH LOCKNUT).  
 • Gage : • Glycerine filled : N-62015-01  
 • Non filled : N-62016-01

Regulating range options : PRA3C-XXXX

- Replace by B - 0 to 100 PSI
- Replace by C - 0 to 45 PSI

**DIMENSIONS**

Dimensions shown are metric (mm)



**Non plug-in sandwich pressure regulator with air pilot adjust**

**OPERATIONAL BENEFITS**

1. Easy mounting : saves on installation costs in comparison with inline regulators.
2. Allows to have compact, all-included units.
3. Large orifice provides high flow.
4. Various functions available.
5. Simple, reliable and solid design.



PR37A  
PR42B  
PR46A  
PR47A  
PR48B  
  
PR92C

**HOW TO ORDER**

INTERNAL PILOT

| Gage  | Single pressure Regulator 14 end<br>Same regulated pressure to ports 2 and 4 | Single pressure Regulator 12 end<br>Same regulated pressure to ports 2 and 4 | Dual pressure Regulator 14 end<br>Regulated pressure to port 4 * | Dual pressure Regulator 12 end<br>Regulated pressure to port 2 * | Dual pressure Dual regulator<br>Two regulated pressures to ports 2 and 4 * |
|---|--|--|--|--|--|
| No gage                                     | PRA3C-4AAA   | PRA3C-4EAA   | PRA3C-4BAA   | PRA3C-4FAA   | PRA3C-4JAA   |
| Non-filled gage on regulator(s)             | PRA3C-4ADA   | PRA3C-4EDA   | PRA3C-4BDA   | PRA3C-4FDA   | PRA3C-4JEA   |
| Non-filled gage opposite to regulator       | PRA3C-4CDA   | PRA3C-4GDA   | PRA3C-4DDA   | PRA3C-4HDA   | -----  |
| Glycerine filled gage on regulator(s)       | PRA3C-4ABA   | PRA3C-4EBA   | PRA3C-4BBA   | PRA3C-4FBA   | PRA3C-4JCA   |
| Glycerine filled gage opposite to regulator | PRA3C-4CBA   | PRA3C-4GBA   | PRA3C-4DBA   | PRA3C-4HBA   | -----  |

PR93A

PRA01A

PRA02A

PRA1A

EXTERNAL PILOT AND REMOTE AIR

| Gage  | Single pressure Regulator 14 end<br>Same regulated pressure to ports 2 and 4 | Single pressure Regulator 12 end<br>Same regulated pressure to ports 2 and 4 | Dual pressure Regulator 14 end<br>Regulated pressure to port 4 * | Dual pressure Regulator 12 end<br>Regulated pressure to port 2 * | Dual pressure Dual regulator<br>Two regulated pressures to ports 2 and 4 * |
|---|--|--|--|--|--|
| No gage                                     | PRA3C-5AAA   | PRA3C-5EAA   | PRA3C-5BAA   | PRA3C-5FAA   | PRA3C-5JAA   |
| Non-filled gage on regulator(s)             | PRA3C-5ADA   | PRA3C-5EDA   | PRA3C-5BDA   | PRA3C-5FDA   | PRA3C-5JEA   |
| Non-filled gage opposite to regulator       | PRA3C-5CDA   | PRA3C-5GDA   | PRA3C-5DDA   | PRA3C-5HDA   | -----  |
| Glycerine filled gage on regulator(s)       | PRA3C-5ABA   | PRA3C-5EBA   | PRA3C-5BBA   | PRA3C-5FBA   | PRA3C-5JCA   |
| Glycerine filled gage opposite to regulator | PRA3C-5CBA   | PRA3C-5GBA   | PRA3C-5DBA   | PRA3C-5HBA   | -----  |

PRP1A

PRA2D

PRP2B

\* - To be used with dual pressure valves.

Main valve body assembly must be external pilot model. Pilots are supplied internally from primary pressure in regulator block. Cannot field convert regulator block from Single Pressure to dual pressure. Body/Block to base mounting screw #35418.

**PRA3C**

PRP3B

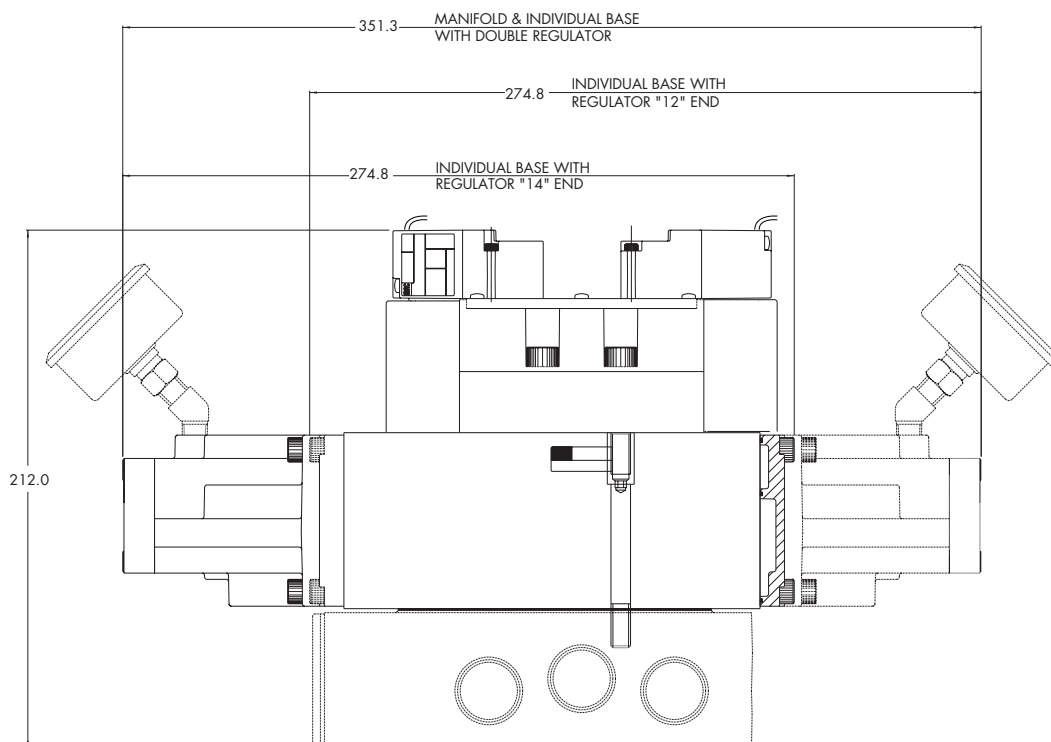
**TECHNICAL DATA**

|                            |  |
|----------------------------|--|
| <b>Fluid :</b>             | Compressed air, inert gases  |
| <b>Pressure range :</b>    | 0 to 150 PSI   |
| <b>Regulating range :</b>  | 0 to 150 PSI   |
| <b>Lubrication :</b>       | Not required, if used select a medium aniline point lubricant (between 180°F to 210°F) |
| <b>Filtration :</b>        | 40 μ   |
| <b>Temperature range :</b> | 0°F to 120°F (-18°C to +50°C)  |
| <b>Flow :</b>              | 5.4 C <sub>v</sub>   |

- Spare parts :
- Pressure regulator (less sandwich block) : PRA3C-60AA.
  - Gage : • Glycerine filled : N-62015-01  
• Non filled : N-62016-01

**DIMENSIONS**

Dimensions shown are metric (mm)





**Plug-in sandwich pressure regulator with manual adjust knob**

**OPERATIONAL BENEFITS**

1. Easy mounting; saves on installation costs in comparison with inline regulators.
2. Compact all-included units.
3. Large orifice provides high flow.
4. Various functions available.
5. Simple, reliable and solid design.



PR37A  
PR42B  
PR46A  
PR47A  
PR48B  
  
PR92C

**HOW TO ORDER**

REGULATORS FOR INTERNAL PILOT (CODED FOR KNOB ADJUSTMENT)

| Gage            | Single pressure Regulator 14 end Same regulated pressure to ports 2 and 4 | Single pressure Regulator 12 end Same regulated pressure to ports 2 and 4 | Dual pressure Regulator 14 end Regulated pressure to port 4 * | Dual pressure Regulator 12 end Regulated pressure to port 2 * | Dual pressure Dual regulator Two regulated pressures to ports 2 and 4 * |
|-----------------|---|---|---|---|---|
| No gage         | PRP3B-AAAA  | PRP3B-AEAA  | PRP3B-ABAA  | PRP3B-AFAA  | PRP3B-AJAA  |
| Glycerine gage  | PRP3B-AABA  | PRP3B-AEBA  | PRP3B-ABBA  | PRP3B-AFBA  | PRP3B-AJCA  |
| Non-filled gage | PRP3B-AADA  | PRP3B-AEDA  | PRP3B-ABDA  | PRP3B-AFDA  | PRP3B-AJEA  |

PR93A  
  
PRA01A  
PRA02A

REGULATORS FOR EXTERNAL PILOT AND REMOTE AIR (CODED FOR KNOB ADJUSTMENT)

| Gage            | Single pressure Regulator 14 end Same regulated pressure to ports 2 and 4 | Single pressure Regulator 12 end Same regulated pressure to ports 2 and 4 | Dual pressure Regulator 14 end Regulated pressure to port 4 * | Dual pressure Regulator 12 end Regulated pressure to port 2 * | Dual pressure Dual regulator Two regulated pressures to ports 2 and 4 * |
|-----------------|---|---|---|---|---|
| No gage         | PRP3B-BAAA  | PRP3B-BEAA  | PRP3B-BBAA  | PRP3B-BFAA  | PRP3B-BJAA  |
| Glycerine gage  | PRP3B-BABA  | PRP3B-BEBA  | PRP3B-BBBA  | PRP3B-BFBA  | PRP3B-BJCA  |
| Non-filled gage | PRP3B-BADA  | PRP3B-BEDA  | PRP3B-BBDA  | PRP3B-BFDA  | PRP3B-BJEA  |

PRA1A  
PRP1A  
PRA2D  
PRP2B

\* For use with dual pressure valves.

**ADJUSTMENT OPTIONS**

PRP3B-xxxx

- G** for slotted stem (internal pilot)
- H** for slotted stem (external pilot)
- K** for slotted stem with locknut (internal pilot)
- L** for slotted stem with locknut (external pilot)

Notes:

1. Regulating range for above models is 0-150 PSI. For other ranges, see technical data page.
2. Valves used with above models must be external pilot models.
3. Cannot field convert regulator block from single pressure to dual pressure.
4. Cannot field convert from internal pilot to external pilot.
5. Wired for double solenoid valves.

PRA3C  
**PRP3B**

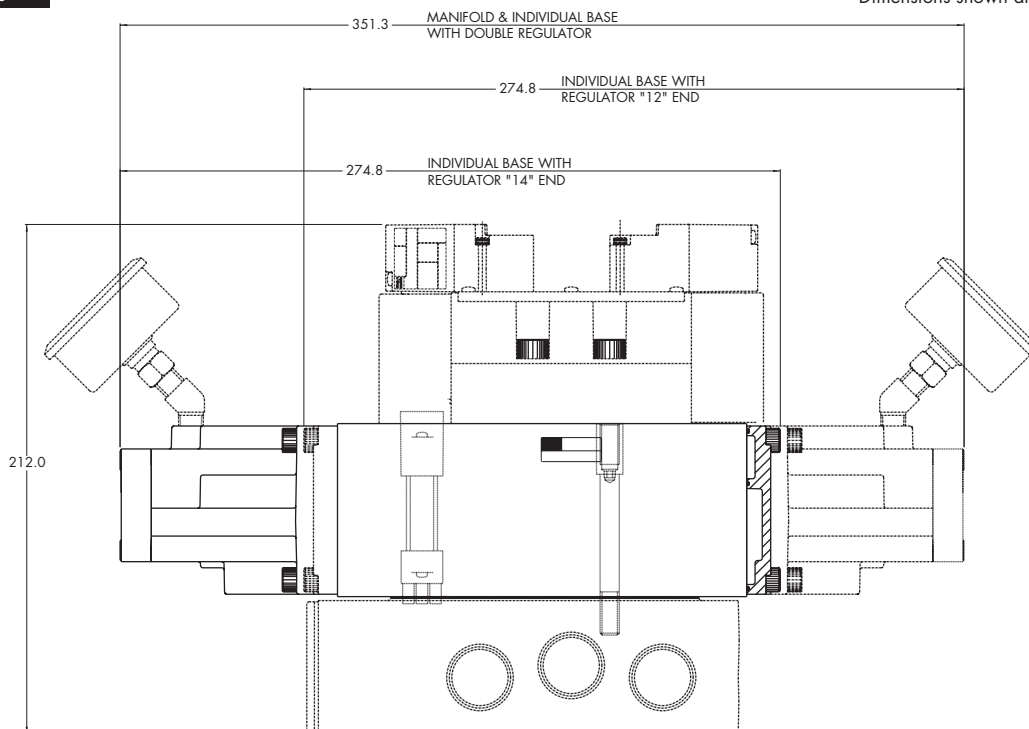
**TECHNICAL DATA**

|                            |  |
|----------------------------|--|
| <b>Fluid :</b>             | Compressed air, inert gases  |
| <b>Pressure range :</b>    | 0 to 150 PSI   |
| <b>Regulating range :</b>  | 0 to 150 PSI (other ranges see below)  |
| <b>Lubrication :</b>       | Not required, if used select a medium aniline point lubricant (between 180°F to 210°F) |
| <b>Filtration :</b>        | 40 μ   |
| <b>Temperature range :</b> | 0°F to 120°F (-18°C to +50°C)  |
| <b>Flow :</b>              | 5.4 C <sub>v</sub>   |

- Spare parts :
- Pressure regulator (less sandwich block): PRP3B-C0AA (knob), PRP3B-J0AA (slotted stem), PRP3B-M0AA (slotted stem with locknut)
  - Regulating block to base mounting screw: 19457
  - Regulating range options: PRP3B-xxxA
    - Replace by B for 0 to 100 PSI
    - Replace by C for 0 to 45 PSI

**DIMENSIONS**

Dimensions shown are metric (mm)



**Plug-in sandwich pressure regulator with air pilot adjust**

**OPERATIONAL BENEFITS**

1. Easy mounting; saves on installation costs in comparison with inline regulators.
2. Compact all-included units.
3. Large orifice provides high flow.
4. Various functions available.
5. Simple, reliable and solid design.



PR37A  
PR42B  
PR46A  
PR47A  
PR48B  
  
PR92C

**HOW TO ORDER**

REGULATORS FOR INTERNAL PILOT

| Gage            | Single pressure Regulator 14 end Same regulated pressure to ports 2 and 4 | Single pressure Regulator 12 end Same regulated pressure to ports 2 and 4 | Dual pressure Regulator 14 end Regulated pressure to port 4 * | Dual pressure Regulator 12 end Regulated pressure to port 2 * | Dual pressure Dual regulator Two regulated pressures to ports 2 and 4 * |
|-----------------|---|---|---|---|---|
| No gage         | PRP3B-DAAA  | PRP3B-DEAA  | PRP3B-DBAA  | PRP3B-DFAA  | PRP3B-DJAA  |
| Glycerine gage  | PRP3B-DABA  | PRP3B-DEBA  | PRP3B-DBBA  | PRP3B-DFBA  | PRP3B-DJCA  |
| Non-filled gage | PRP3B-DADA  | PRP3B-DEDA  | PRP3B-DBDA  | PRP3B-DFDA  | PRP3B-DJEA  |

PR93A  
  
PRA01A  
PRA02A

REGULATORS FOR EXTERNAL PILOT AND REMOTE AIR

| Gage            | Single pressure Regulator 14 end Same regulated pressure to ports 2 and 4 | Single pressure Regulator 12 end Same regulated pressure to ports 2 and 4 | Dual pressure Regulator 14 end Regulated pressure to port 4 * | Dual pressure Regulator 12 end Regulated pressure to port 2 * | Dual pressure Dual regulator Two regulated pressures to ports 2 and 4 * |
|-----------------|---|---|---|---|---|
| No gage         | PRP3B-EAAA  | PRP3B-EEAA  | PRP3B-EBAA  | PRP3B-EFAA  | PRP3B-EJAA  |
| Glycerine gage  | PRP3B-EABA  | PRP3B-EEBA  | PRP3B-EBBA  | PRP3B-EFBA  | PRP3B-EJCA  |
| Non-filled gage | PRP3B-EADA  | PRP3B-EEDA  | PRP3B-EBDA  | PRP3B-EFDA  | PRP3B-EJEA  |

PRA1A  
PRP1A  
PRA2D  
PRP2B

\* - To be used with dual pressure valves.

Notes:

1. Valves used with above models must be external pilot models.
2. Cannot field convert regulator block from single pressure to dual pressure.
3. Cannot field convert from internal pilot to external pilot.
4. Wired for double solenoid valves.

PRA3C

**PRP3B**

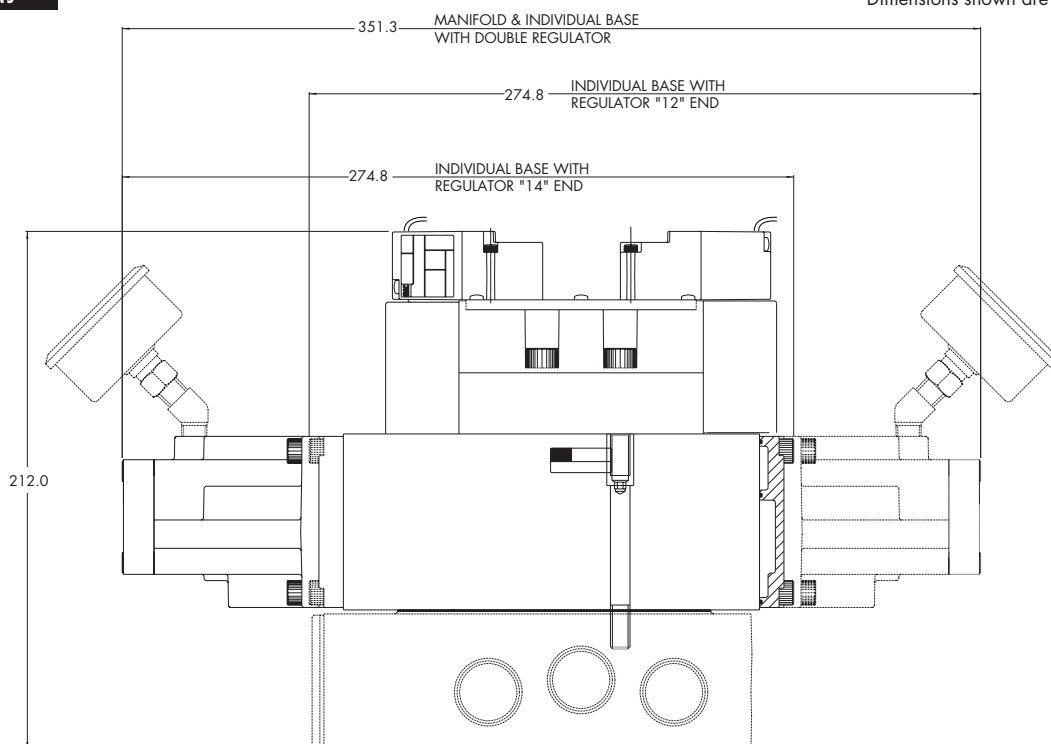
**TECHNICAL DATA**

|                            |  |
|----------------------------|--|
| <b>Fluid :</b>             | Compressed air, inert gases  |
| <b>Pressure range :</b>    | 0 to 150 PSI   |
| <b>Regulating range :</b>  | 0 to 150 PSI   |
| <b>Lubrication :</b>       | Not required, if used select a medium aniline point lubricant (between 180°F to 210°F) |
| <b>Filtration :</b>        | 40 μ   |
| <b>Temperature range :</b> | 0°F to 120°F (-18°C to +50°C)  |
| <b>Flow :</b>              | 5.4 C <sub>v</sub>   |

- Spare parts :
- Pressure regulator (less sandwich block): PRP3B-F0AA
  - Regulator block to base mounting screw: 19457

**DIMENSIONS**

Dimensions shown are metric (mm)





## Section 5

## Intrinsically Safe Valves

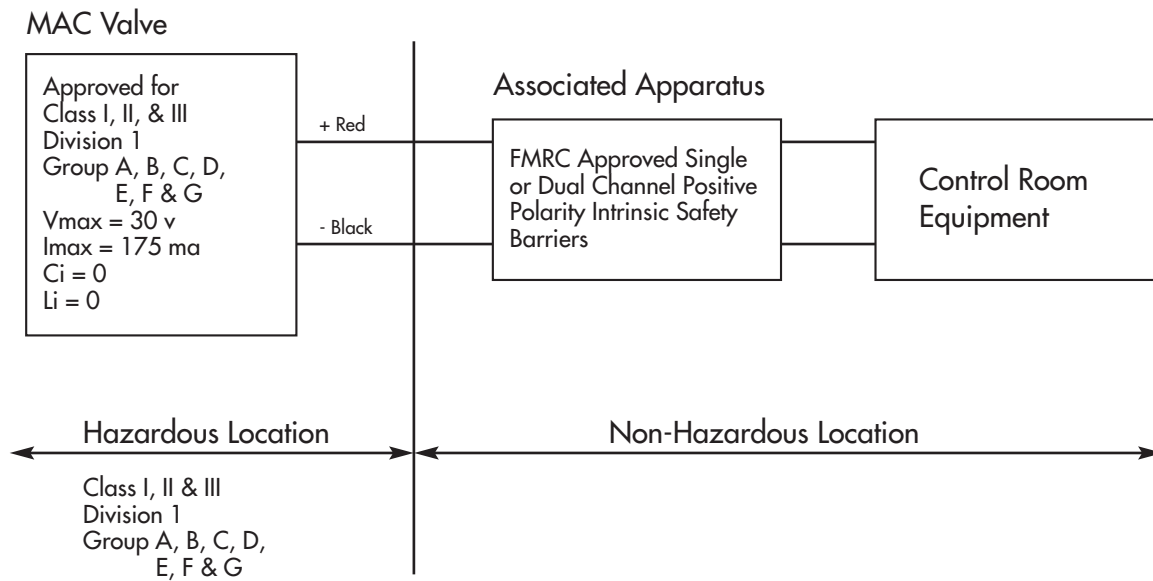
---



|  | Page |
|--|------|
| Specifications for Intrinsically Safe Valves | 301  |
| 52 series                                    | 304  |
| 400 series                                   | 304  |
| 92 series                                    | 305  |

## INTRINSICALLY SAFE CIRCUIT

In order to use an intrinsically safe valve in a hazardous location, the installation must be in accordance with the following installation diagram :



There are 3 basic parts to an intrinsically safe circuit :

### 1. FIELD DEVICE

This is defined as the device that will be used in the hazardous location. In this case, the field device will be the intrinsically safe valve.

### 2. ASSOCIATED APPARATUS

This will be an energy limiting device also known as a barrier.

### 3. FIELD WIRING

Wiring used to connect the two above devices.

When the MAC intrinsically safe valves were tested for approval, they were tested and approved for the following atmospheres.

Class I, II, III  
Division 1  
Groups ; A, B, C, D, E, F, G

under the following parameters :

$V_{max} : 30\text{ VDC}$   
 $I_{max} : 175\text{ ma}$   
 $C_i : 0$   
 $L_i : 0$



What this means is that the intrinsically safe valves were tested against each atmosphere with up to 30 VDC and 175 ma of current across the solenoid and found to still be safe. The other two parameters are values to indicate how much energy can be stored or created by the valve :

Ci : Internal capacitance of the solenoid.

This indicates how much energy the solenoid is capable of storing.

Li : Internal inductance of the solenoid.

This indicates the solenoid's ability to create or increase energy beyond what is supplied.

When applying an intrinsically safe valve in a hazardous location, a proper barrier must first be selected. The barrier selection process must first take into account the parameters the valve was approved for and compared in the following way :

- Vmax must be greater than or equal to Voc of the barrier.  
Voc = Voltage open circuit or maximum allowed out of the barrier
- Imax must be greater than or equal to Isc of the barrier.  
Isc = Current short circuit or the maximum current allowed out of the barrier
- Ci plus field wiring must be less than Ca of the barrier.  
Ca = Allowed capacitance
- Li plus field wiring must be less than La of the barrier.  
La = Allowed inductance

When properly combined, the barrier will never allow more energy to the intrinsically safe valve than what it was tested and approved for.

The following page can be used as your guide to help ask the right questions when working with an intrinsically safe circuit. Also included is a partial list of intrinsically safe barriers that have been tested with the MAC intrinsically safe valves.





**Approval :** Factory Mutual Research 2X7A8.AX (3610)

Approved as intrinsically safe apparatus and associated apparatus for use in Class I, II, III - Division 1, Group : A, B, C, D, E, F & G.

**Parameters :** Vmax : 30 VDC

I<sub>max</sub> : 175 ma

C<sub>i</sub> : 0

L<sub>i</sub> : 0

Operating voltage greater than 11.5 volts

Coil resistance : Approximately 250 ohms

Current draw : 50 ma

Wattage : 0.6 watts

**Circuit Check Lists :**

- Is V<sub>max</sub> greater than or equal to V<sub>oc</sub> ?
- Is I<sub>max</sub> greater than or equal to I<sub>sc</sub> ?
- Is C<sub>i</sub> less than C<sub>a</sub> ?
- Is L<sub>i</sub> less than L<sub>a</sub> ?
- Is the barrier capable of handing 50 ma draw ?
- Is the internal resistance of the barrier 250 ohms or less ?

If all answers to the above questions are “yes” the barrier may be a good choice in combination with the MAC intrinsically safe valve.

To calculate voltage across the solenoid, plug values into the following equations :

$$I_{TOTAL} = \frac{\text{SUPPLY VOLTAGE}}{250 + \text{BARRIER RESISTANCE}} = \text{_____} \leftarrow \text{Plug } I_{TOTAL} \text{ in below}$$

$$\text{Voltage at Solenoid} = I_{TOTAL} \times 250 \text{ ohms} = \text{_____} \text{ volts}$$

| Manufacturer                  | Model #            | Barrier Res. | Voltage w/o Light | Voltage w/Light | Groups | Type   |
|-------------------------------|--------------------|--------------|-------------------|-----------------|--------|--------|
| Turck                         | MK72-S01-EX        |              | 11.2 v            | 10.2 v*         | A-G    | T.I.B. |
| Crouse-Hinds                  | SB19140-M2410      |              | 13.2 v            | 12.6 v          | C-G    | Zener  |
| IMO Industries (Gems Sensors) | 114072             | 234 OHMS     | 12.0 v            | 11.4 v          | C-G    | Zener  |
| Pepperl & Fuchs               | KHZ-922/EX-1       | 270 OHMS     | 11.6 v            | 11.06 v         | A-G    | Zener  |
|                               | KHZ-922/EX-2       | 270 OHMS     | 11.6 v            | 11.06 v         | A-G    | Zener  |
|                               | KHZ-922/EX-3       | 270 OHMS     | 11.6 v            | 11.06 v         | A-G    | Zener  |
| Stahl                         | 9001/01-280-165-10 |              | 13.5 v            | 12.9 v          | C-G    | Zener  |
|                               | 9351/10-14-10      | 80 OHMS      | 13.7 v            | 13.4 v          | A-G    | T.I.B. |
| Ronan                         | X57-229P           | 200 OHMS     | 12.7 v            | 12.05 v         | C-G    | Zener  |
| Measurement Technology        | MTL728P+           | 250 OHMS     | 11.9 v            | 11.4 v          | A-G    | Zener  |
|                               | MTL3022            |              | 15.0 v            | 14.5 v          | C-G    | T.I.B. |

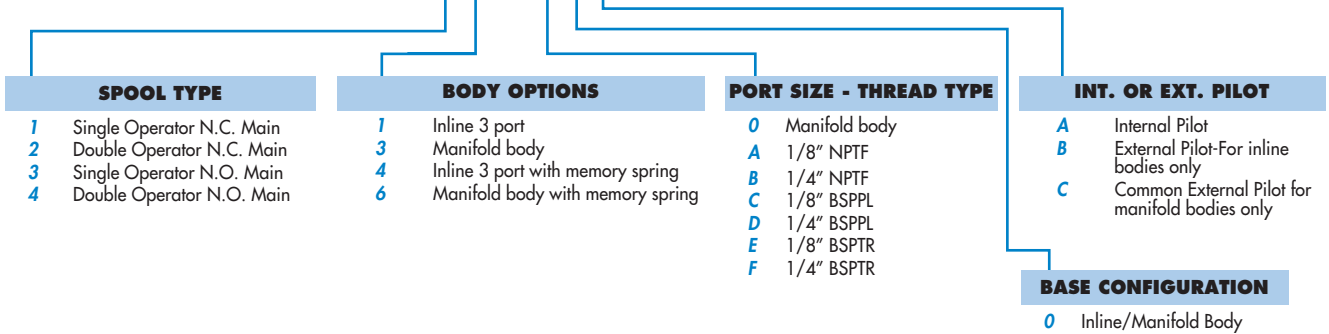
Above data is based on a 24 v DC supply voltage to the input of the barrier. A 12 v DC, 243 OHM, .6 watt intrinsically safe solenoid is used. The measurement with light is an LED with a current limiting resistor.

Groups indicate what atmosphere the barrier has been approved for. All MAC intrinsically safe valves have been approved for Class I, II and III, Division 1, Groups A, B, C, D, E, F and G indoor hazardous locations.

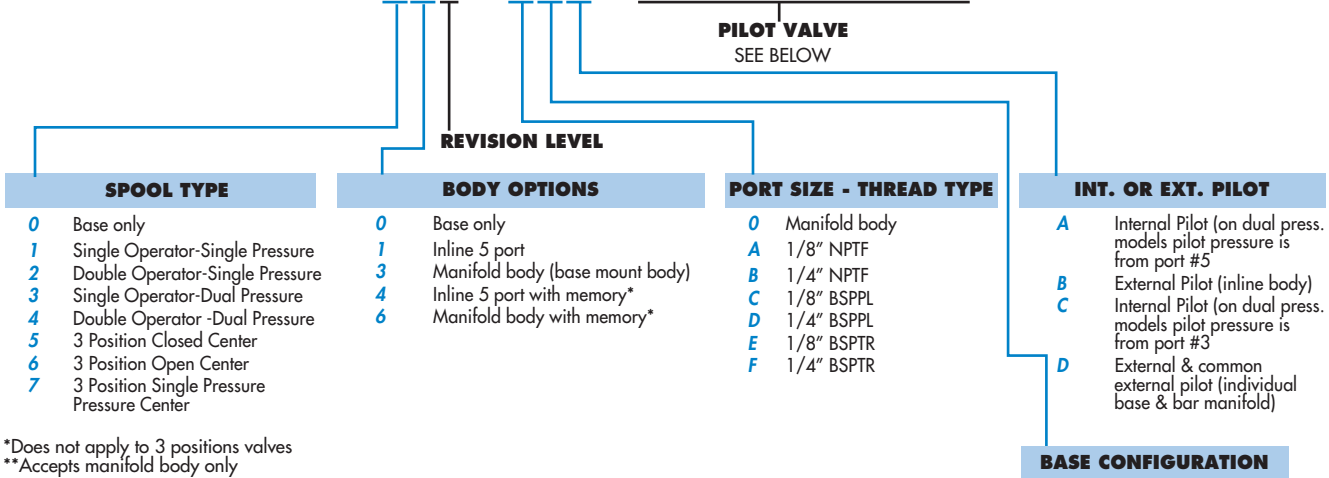
T.I.B. = Transformer Isolated Barrier  
 \* = Not a recommended combination

HOW TO ORDER

52A - XX - XXX - (XX - DXXX - XXX) SEE BELOW



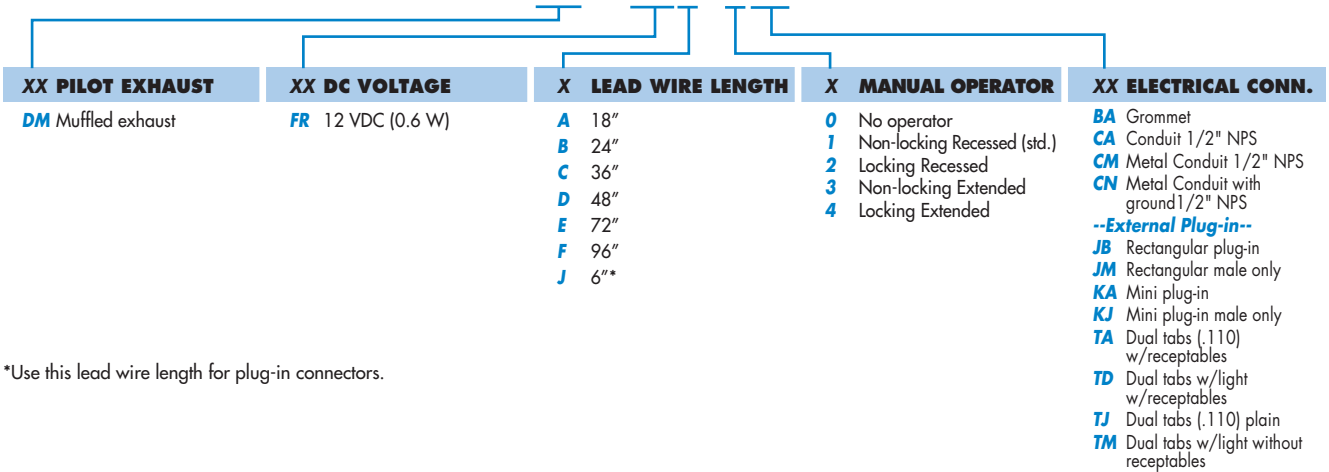
4XXA - XXX - XX - DXXX - XXX



\*Does not apply to 3 positions valves  
\*\*Accepts manifold body only

SOLENOID PILOT VALVE OPTIONS

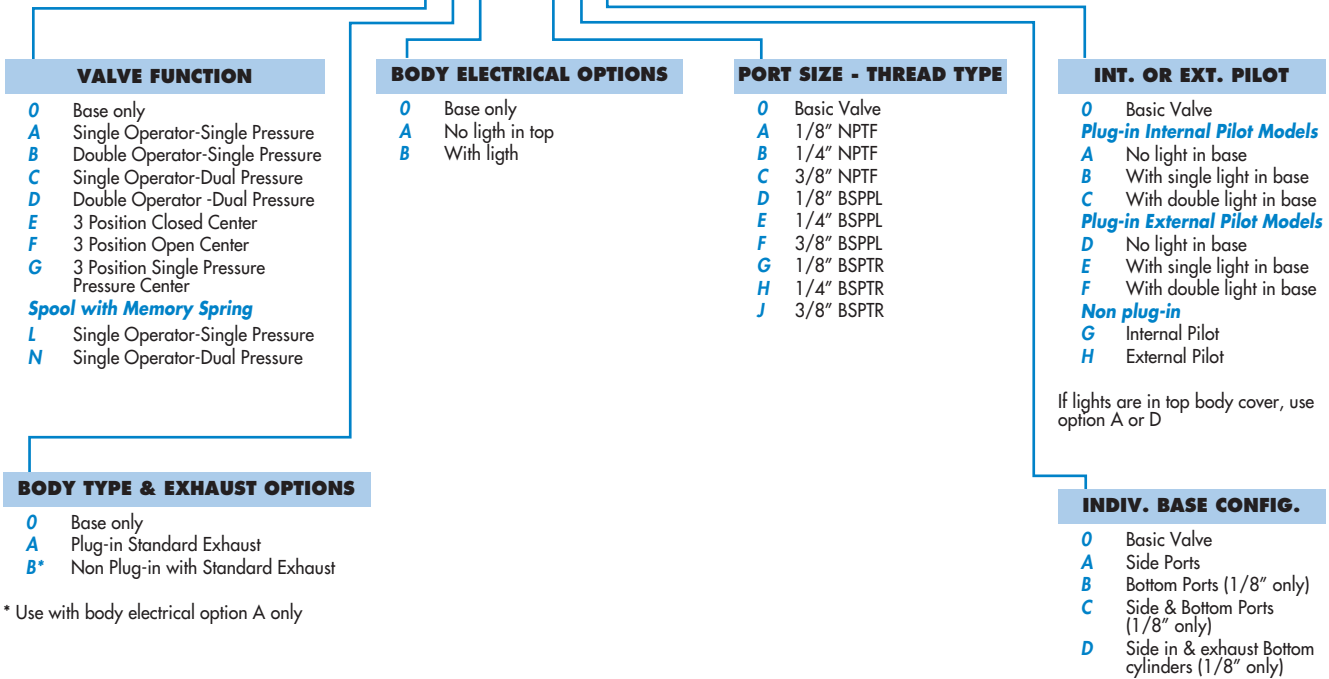
XX - DXXX - XXX



\*Use this lead wire length for plug-in connectors.

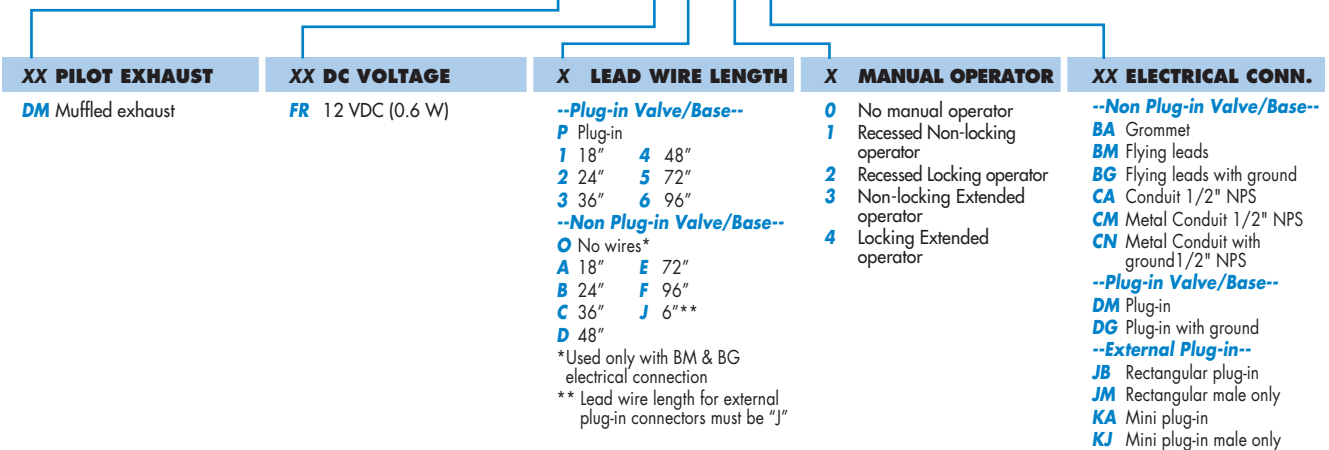
**HOW TO ORDER**

**92B - XXX - XXX - (XX - DXXX - XXX)** SEE BELOW



**PILOT VALVE OPTIONS**

**XX - DXXX - XXX**



**HOW TO ORDER 92 SERIES FLOW CONTROL MODULE\***

|           |   |
|-----------|---|
| FC 92C-AA | Plug-in flow control assembly single solenoid |
| FC 92C-BA | Plug-in flow control assembly double solenoid |
| FC 92C-CA | Non plug-in flow control assembly             |

\*If flow control module is to be installed between valve and base or valve and manifold at the factory, add -9 after the flow control model number, i.e., FC92C-AA-9. The flow control model number should follow the valve model number on which it is to be installed.

NOTE: If a flow control assembly is used with the dual pressure regulator option, only the flow control on the "B" end is functional. (Controls both cylinder ports.)  
NOTE: Consult the general catalog for regulator and circuit bar ordering information.



## Section 6

## Options

---



---

**Codification table for voltages / Manual operator / Electrical connection**

---

VALVE CODE > **-DM- D XX X-X XX**  
**1 2 3 4**

**OPTIONS AVAILABLE FOR**

- Pilot operated valves 52, 67, 92, 93, 400, ISO1, ISO2, ISO3 Series

---

**1. VOLTAGE**

| D-XX X-X XX | VOLTAGE                       |
|-------------|-------------------------------|
| DA          | 24 VDC (5.4W)                 |
| DB          | 12 VDC (5.4W)                 |
| DC          | 12 VDC (7.5W)                 |
| DD          | 24 VDC (7.3W)                 |
| DE          | 12 VDC (12.7W)                |
| DF          | 24 VDC (12.7W)                |
| DK          | 110 VDC (4.7W)                |
| DJ          | 28 VDC (5.2W)                 |
| DL          | 64 VDC (6.0W)                 |
| DM          | 36 VDC (5.3W)                 |
| DN          | 6 VDC (6.0W)                  |
| DR          | 90 VDC (6.6W)                 |
| DS          | 110 VDC (7.3W)                |
| DT          | 75 VDC (5.6W)                 |
| DP          | 48 VDC (5.8W)                 |
| FA          | 12 VDC (1.8W)                 |
| FB          | 24 VDC (1.8W)                 |
| FE          | 12 VDC (2.4W)                 |
| FF          | 24 VDC (2.4W)                 |
| JA          | 120/60, 110/50 (2.9W)         |
| JB          | 240/60, 220/50 (2.9W)         |
| JC          | 24/60, 24/50 (3.7W)           |
| JD          | 100/60, 100/50, 110/60 (3.9W) |
| JE          | 220/60 (3.4W)                 |
| JF          | 240/50 (2.8W)                 |
| JG          | 200/60, 200/50 (3.9W)         |

**2. WIRE LENGTH**

| D-XX X-X XX | WIRE LENGTH |
|-------------|-------------|
| 0           | No wires    |
| A           | 18"         |
| B           | 24"         |
| C           | 36"         |
| D           | 48"         |
| E           | 72"         |
| F           | 96"         |

**3. MANUAL OPERATOR**

| D-XX X-X XX | MANUAL OPERATOR      |
|-------------|----------------------|
| 0           | No operator          |
| 1           | Non-locking recessed |
| 2           | Locking recessed     |
| 3           | Non-locking extended |
| 4           | Locking extended     |

**4. ELECTRICAL CONNECTION**

| D-XX X-X XX | ELECTRICAL CONNECTION                             |
|-------------|---|
| BA*         | Flying leads (grommet)                            |
| BK*         | BA with protection diode                          |
| BL*         | BA with protection varistor                       |
| BM**        | Flying leads (solenoid plug-in)                   |
| BN**        | BM with protection diode                          |
| BP**        | BM with protection varistor                       |
| BG**        | BM with ground                                    |
| BH**        | BM with protection diode & ground                 |
| BJ**        | BM with protection varistor & ground              |
| CA*         | 1/2" NPS conduit with flying leads                |
| CM*         | 1/2" NPS metal conduit with flying leads          |
| CN*         | 1/2" NPS metal conduit with flying leads & ground |
| JB          | Rectangular connector                             |
| JD          | JB with light                                     |
| JM          | Rectangular connector (male only)                 |
| KA          | Mini square connector                             |
| KB          | KA with protection diode                          |
| KC          | KA with protection varistor                       |
| KD          | KA with light                                     |
| KE          | KA with light and protection diode                |
| KF          | KA with light and protection varistor             |
| KG          | KA with light & diode                             |
| KJ          | Mini square connector (male only)                 |
| KK          | KJ with protection diode (male only)              |
| KL          | KJ with protection varistor (male only)           |
| TA          | Dual tabs with receptacles                        |
| TB          | TA with protection diode                          |
| TD          | TA with light                                     |
| TE          | TA with light and protection diode                |
| TJ          | Dual tabs (male only)                             |
| TK          | TJ with protection diode                          |
| TM          | TJ with light                                     |
| TN          | TJ with light and protection diode                |

\* From Lead wire length options choose A through F

\*\* From Lead wire length options choose 0 through F

Note: When coil is above 30 volts, a ground wire is required. Applies to options with flying leads.

---

**Codification table for voltages / Manual operator / Electrical connection**

---

VALVE CODE > **G XX X-X XX**  
**1 2 3 4**

**OPTIONS AVAILABLE FOR**

- Solenoid valves 32, 34, 38, 42, 44 & 48 Series

---

### 1. VOLTAGE

| G-XX X-X XX | VOLTAGE        |  |
|-------------|----------------|--|
| AA          | 120 VAC (2.5W) | Requires electrical connector with rectifier |
| AC          | 24 VAC (4.0W)  | Requires electrical connector with rectifier |
| DA          | 24 VDC (1.0W)  |  |
| DC          | 24 VDC (1.8W)  |  |
| DD          | 24 VDC (2.5W)  |  |
| DE          | 24 VDC (3.0W)  |  |
| DF          | 24 VDC (4.0W)  |  |
| DG          | 12 VDC (1.0W)  |  |
| DJ          | 12 VDC (1.8W)  |  |
| DK          | 12 VDC (2.5W)  |  |
| DM          | 12 VDC (3.0W)  |  |
| DN          | 12 VDC (4.0W)  |  |
| DR          | 6 VDC (1.8W)   |  |
| DS          | 6 VDC (3.0W)   |  |
| EB          | 48 VDC (1.8W)  |  |
| EC          | 48 VDC (3.0W)  |  |
| ED          | 120 VDC (2.5W) |  |
| GD          | 12 VDC (0.5W)  | 34 series only                               |
| GE          | 24 VDC (0.5W)  | 34 series only                               |

### 2. WIRE LENGTH

| G-XX X-X XX | WIRE LENGTH     |   |
|-------------|-----------------|---|
| 0           | No lead wires   | (used only with "KJ" & "KM" connectors) |
| A           | 18" coil leads  |   |
| B           | 24" coil leads  |   |
| C           | 36" coil leads  |   |
| D           | 48" coil leads  |   |
| E           | 72" coil leads  |   |
| F           | 96" coil leads  |   |
| G           | 120" coil leads |   |
| H           | 144" coil leads |   |
| I           | 18" base leads  |   |
| 2           | 24" base leads  |   |
| 3           | 36" base leads  |   |
| 4           | 48" base leads  |   |
| 5           | 72" base leads  |   |
| 6           | 96" base leads  |   |
| 7           | 120" base leads |   |

### 3. MANUAL OPERATOR

| G-XX X-X XX | MANUAL OPERATOR      |  |
|-------------|----------------------|--|
| 1           | Non-locking recessed |  |
| 2           | Locking recessed     |  |
| 3           | Non-locking extended |  |
| 4           | Locking extended     |  |

### 4. ELECTRICAL CONNECTION

| G-XX X-X XX | ELECTRICAL CONNECTION  |  |
|-------------|--|--|
| BA          | Flying leads   |  |
| BB          | BA with ground wire  |  |
| BC          | BA with light  |  |
| BD          | BA with light and ground wire                                    |  |
| BE          | BA with suppression diode  |  |
| BF          | BA with suppression diode and ground wire                        |  |
| BG          | BA with suppression diode and light                              |  |
| BH          | BA with suppression diode, light and ground wire                 |  |
| BN          | BA with suppression diode and blocking diode                     |  |
| BP          | BA with suppression diode, blocking diode and ground wire        |  |
| BR          | BA with suppression diode, blocking diode and light              |  |
| BS          | BA with suppression diode, blocking diode, light and ground wire |  |
| GA          | MAC JAC Solenoid plug-in   |  |
| GB          | MAC JAC Solenoid plug-in w/Diode                                 |  |
| GC          | MAC JAC Solenoid plug-in w/MOV                                   |  |
| GD          | MAC JAC Solenoid plug-in w/LED                                   |  |
| GE          | MAC JAC Solenoid plug-in w/Diode & LED                           |  |
| GF          | MAC JAC Solenoid plug-in w/MOV & LED                             |  |
| GG          | MAC JAC Solenoid plug-in w/Rectifier                             |  |
| GH          | MAC JAC Solenoid plug-in w/Rectifier & LED                       |  |
| KA          | Solenoid plug-in wire assembly                                   |  |
| KB          | KA with ground   |  |
| KC          | KA with rectifier and light                                      |  |
| KD          | KA with rectifier, light and ground                              |  |
| KE          | KA with suppression diode  |  |
| KF          | KA with suppression diode and ground                             |  |
| KJ          | Solenoid plug-in housing without wire assembly                   |  |
| KM          | Solenoid plug-in housing with ground pin without wire assembly   |  |
| KN          | KA with suppression diode and blocking diode                     |  |
| KP          | KA with suppression diode, blocking diode and ground             |  |
| KT          | KA with light  |  |
| KU          | KA with light and ground   |  |
| KV          | KA with suppression diode and light                              |  |
| KW          | KA with suppression diode, light and ground                      |  |
| KX          | KA with suppression diode, blocking diode and light              |  |
| KY          | KA with suppression diode, blocking diode, light & ground        |  |

### ELECTRICAL CONNECTION FOR PLUG-IN VALVES

| G-XX X-X XX | PLUG-IN OPTIONS  |  |
|-------------|--|--|
| SB          | Base plug-in with ground   |  |
| SC          | Base plug-in with suppression and blocking diode                       |  |
| SD          | Base plug-in with suppression and blocking diode and ground            |  |
| SE          | Base plug-in with MOV  |  |
| SF          | Base plug-in with MOV and ground                                       |  |
| SG          | Base plug-in with rectifier  |  |
| SH          | Base plug-in with rectifier and ground                                 |  |
| SK          | Base plug-in with light and ground                                     |  |
| SL          | Base plug-in with suppression and blocking diode and light             |  |
| SM          | Base plug-in with suppression and blocking diode with light and ground |  |
| SN          | Base plug-in with MOV and light  |  |
| SP          | Base plug-in with MOV and light with ground                            |  |
| SR          | Base plug-in with rectifier and light                                  |  |





---

**Codification table for voltages / Manual operators / Electrical connections**

---

VALVE CODE > **-GM- G XX X-X XX**  
**1 2 3 4**

**OPTIONS AVAILABLE FOR**

- Solenoid valves 52 & 400 Series

---

| 1. VOLTAGE         |  | 4. ELECTRICAL CONNECTION              |   |
|--------------------|--|---------------------------------------|---|
| G-XX X-X XX        | VOLTAGE  | G-XX X-X XX                           | ELECTRICAL CONNECTION   |
| <b>DC</b>          | 24 VDC (1.8 W)   | <b>BA</b>                             | Flying leads  |
| <b>DD</b>          | 24 VDC (2.5 W)   | <b>BB</b>                             | BA with ground wire   |
| <b>DE</b>          | 24 VDC (3.0 W)   | <b>BC</b>                             | BA with light parallel to leads   |
| <b>DF</b>          | 24 VDC (4.0 W)   | <b>BD</b>                             | BA with light parallel to leads & ground wire   |
| <b>DJ</b>          | 12 VDC (1.8 W)   | <b>BE</b>                             | BA with suppression diode   |
| <b>DK</b>          | 12 VDC (2.5 W)   | <b>BF</b>                             | BA with suppression diode & ground wire   |
| <b>DM</b>          | 12 VDC (3.0 W)   | <b>BG</b>                             | BA with suppression diode plus light parallel to leads                                |
| <b>DN</b>          | 12 VDC (4.0 W)   | <b>BH</b>                             | BA with suppression diode plus light parallel to leads & ground wire                  |
| 2. WIRE LENGTH     |  | <b>*BN</b>                            | BA with suppression diode plus blocking diode   |
| G-XX X-X XX        | WIRE LENGTH  | <b>*BP</b>                            | BA with suppression diode plus blocking diode & ground wire                           |
| <b>O</b>           | No lead wire (use only with "KJ" & "KM" electrical connectors) | <b>*BR</b>                            | BA with suppression diode plus blocking diode & light parallel to leads               |
| <b>A</b>           | 18"  | <b>*BS</b>                            | BA with suppression diode plus blocking diode & light parallel to leads & ground wire |
| <b>B</b>           | 24"  | <b>BT</b>                             | BA with light on top  |
| <b>C</b>           | 36"  | <b>BU</b>                             | BA with light on top & ground wire  |
| <b>D</b>           | 48"  | <b>BV</b>                             | BA with suppression diode plus light on top   |
| <b>E</b>           | 72"  | <b>BW</b>                             | BA with suppression diode plus light on top & ground wire                             |
| <b>F</b>           | 96"  | <b>*BX</b>                            | BA with suppression diode plus blocking diode & light on top                          |
| <b>G</b>           | 120"   | <b>*BY</b>                            | BA with suppression diode plus blocking diode & light on top & ground wire            |
| <b>H</b>           | 144"   |                                       |   |
| 3. MANUAL OPERATOR |  | SOLENOID PLUG-IN CONNECTOR WITH LEADS |   |
| G-XX X-X XX        | MANUAL OPERATOR  | G-XX X-X XX                           | SOLENOID PLUG-IN CONNECTOR WITH LEADS   |
| <b>1</b>           | Non-locking recessed   | <b>GA</b>                             | MAC JAC Solenoid plug-in  |
| <b>2</b>           | Locking recessed   | <b>GB</b>                             | MAC JAC Solenoid plug-in w/Diode  |
| <b>3</b>           | Non-locking extended   | <b>GC</b>                             | MAC JAC Solenoid plug-in w/MOV  |
| <b>4</b>           | Locking extended   | <b>GD</b>                             | MAC JAC Solenoid plug-in w/LED  |
|                    |  | <b>GE</b>                             | MAC JAC Solenoid plug-in w/Diode & LED  |
|                    |  | <b>GF</b>                             | MAC JAC Solenoid plug-in w/MOV & LED  |
|                    |  | <b>GG</b>                             | MAC JAC Solenoid plug-in w/Rectifier  |
|                    |  | <b>GH</b>                             | MAC JAC Solenoid plug-in w/Rectifier & LED  |
|                    |  | <b>KA</b>                             | Plug-in wire assembly   |
|                    |  | <b>KB</b>                             | KA with ground wire   |
|                    |  | <b>KE</b>                             | KA with suppression diode   |
|                    |  | <b>KF</b>                             | KA with suppression diode & ground wire   |
|                    |  | <b>KJ</b>                             | Plug-in housing without wire assembly ('KA' without wire assembly)                    |
|                    |  | <b>KM</b>                             | Plug-in housing without wire assembly ('KB' without wire assembly)                    |
|                    |  | <b>*KN</b>                            | KA with suppression diode plus blocking diode   |
|                    |  | <b>*KP</b>                            | KA with suppression diode plus blocking diode & ground wire                           |
|                    |  | <b>KT</b>                             | KA with light on top  |
|                    |  | <b>KU</b>                             | KA with light on top & ground wire  |
|                    |  | <b>KV</b>                             | KA with suppression diode plus light on top   |
|                    |  | <b>KW</b>                             | KA with suppression diode plus light & ground wire                                    |
|                    |  | <b>*KX</b>                            | KA with suppression diode plus blocking diode & light on top                          |
|                    |  | <b>*KY</b>                            | KA with suppression diode plus blocking diode & light on top & ground wire            |

Note: Blocking diode is located in the lead wire



---

**Codification table for voltages / Manual operators / Electrical connections**

---

VALVE CODE > **H XX X-X XX**  
**1 2 3 4**

**OPTIONS AVAILABLE FOR**

- Solenoid valves 37 & 47 Series

---

### 1. VOLTAGE

| H-XX X-X XX | VOLTAGE  |
|-------------|--|
| <b>AA</b>   | 120/50, 120/60 (6.7 W)<br>(use connector with rectifier) |
| <b>AB</b>   | 220/50, 220/60 (5.6 W)<br>(use connector with rectifier) |
| <b>AC</b>   | 240/50, 240/60 (5.8 W)<br>(use connector with rectifier) |
| <b>AD</b>   | 24/50, 24/60 (7.8 W)<br>(use connector with rectifier)   |
| <b>DA</b>   | 24 VDC (5.2 W)   |
| <b>DB</b>   | 24 VDC (2.4 W)   |
| <b>DC</b>   | 24 VDC (1.8 W)   |
| <b>DD</b>   | 24 VDC (1.0 W)   |
| <b>DF</b>   | 12 VDC (5.2 W)   |
| <b>DG</b>   | 12 VDC (2.4 W)   |
| <b>DH</b>   | 12 VDC (1.8 W)   |
| <b>DJ</b>   | 12 VDC (1.0 W)   |
| <b>DL</b>   | 120 VDC (6.3 W)  |

### 2. WIRE LENGTH

| H-XX X-X XX | WIRE LENGTH   |
|-------------|---|
| <b>0</b>    | No lead wire (use with "MJ, MM & K Type connectors) |
| <b>A</b>    | 18"   |
| <b>B</b>    | 24"   |
| <b>C</b>    | 36"   |
| <b>D</b>    | 48"   |
| <b>E</b>    | 72"   |
| <b>F</b>    | 96"   |
| <b>G</b>    | 120"  |
| <b>H</b>    | 144"  |

### 3. MANUAL OPERATOR

| H-XX X-X XX | MANUAL OPERATOR      |
|-------------|----------------------|
| <b>0</b>    | No operator          |
| <b>1</b>    | Non-locking recessed |
| <b>2</b>    | Locking recessed     |
| <b>3</b>    | Non-locking extended |
| <b>4</b>    | Locking extended     |

### 4. ELECTRICAL CONNECTION

| H-XX X-X XX | ELECTRICAL CONNECTION  |
|-------------|--|
| <b>BA</b>   | Flying leads   |
| <b>BB</b>   | BA with ground wire  |
| <b>BC</b>   | BA with light  |
| <b>BD</b>   | BA with light & ground wire  |
| <b>BE</b>   | BA with suppression diode  |
| <b>BF</b>   | BA with suppression diode & ground wire                              |
| <b>BG</b>   | BA with suppression diode plus light                                 |
| <b>BH</b>   | BA with suppression diode plus light & ground wire                   |
| <b>*BN</b>  | BA with suppression diode plus blocking diode                        |
| <b>*BP</b>  | BA with suppression diode plus blocking diode & ground wire          |
| <b>*BR</b>  | BA with suppression diode plus blocking diode & light                |
| <b>*BS</b>  | BBA with suppression diode plus blocking diode & light & ground wire |
| <b>BK</b>   | BA with full wave rectifier  |

| H-XX X-X XX |  |
|-------------|--|
| <b>BL</b>   | BA with full wave rectifier & ground wire            |
| <b>BT</b>   | BA with full wave rectifier plus light               |
| <b>BU</b>   | BA with full wave rectifier plus light & ground wire |

| H-XX X-X XX | PLUG-IN CONNECTOR   |
|-------------|---|
| <b>FA</b>   | Base plug-in  |
| <b>FB</b>   | FA with ground wire   |
| <b>FC</b>   | FA with light   |
| <b>FD</b>   | FA with light & ground wire   |
| <b>FE</b>   | FA with suppression diode   |
| <b>FF</b>   | FA with suppression diode & ground wire                                   |
| <b>FG</b>   | FA with suppression diode & light   |
| <b>FH</b>   | FA with suppression diode plus light & ground wire                        |
| <b>FK</b>   | FA with full wave rectifier   |
| <b>FL</b>   | FA with full wave rectifier & ground wire                                 |
| <b>*FN</b>  | FA with suppression diode plus blocking diode                             |
| <b>*FP</b>  | FA with suppression diode plus blocking diode & ground wire               |
| <b>*FR</b>  | FA with suppression diode plus blocking diode plus light                  |
| <b>*FS</b>  | FA with suppression diode plus blocking diode & light & ground wire       |
| <b>FT</b>   | FA with full wave rectifier plus light                                    |
| <b>FU</b>   | FA with full wave rectifier plus light & ground wire                      |
| <b>MA</b>   | Solenoid plug-in wire assembly  |
| <b>MB</b>   | MA with ground wire   |
| <b>MC</b>   | MA with light   |
| <b>MD</b>   | MA with light & ground wire   |
| <b>ME</b>   | MA with suppression diode   |
| <b>MF</b>   | MA with suppression diode & ground wire                                   |
| <b>MG</b>   | MA with suppression diode plus light                                      |
| <b>MH</b>   | MA with suppression diode plus light & ground wire                        |
| <b>MK</b>   | MA with full wave rectifier   |
| <b>ML</b>   | MA with full wave rectifier & ground wire                                 |
| <b>*MN</b>  | MA with suppression diode plus blocking diode                             |
| <b>*MP</b>  | MA with suppression diode plus blocking diode & ground wire               |
| <b>*MR</b>  | MA with suppression diode plus blocking diode & light                     |
| <b>*MS</b>  | MA with suppression diode plus blocking diode & light & ground wire       |
| <b>MT</b>   | MA with full wave rectifier plus light                                    |
| <b>MU</b>   | MA with full wave rectifier plus light & ground wire                      |
| <b>MJ</b>   | Plug-in housing without wire assembly ('MA' option without wire assembly) |
| <b>MM</b>   | Plug-in housing without wire assembly ('MB' option without wire assembly) |
| <b>KA</b>   | Mini square connector   |
| <b>KB</b>   | KA with suppression diode   |
| <b>KC</b>   | KA with M.O.V.  |
| <b>KD</b>   | KA with light   |
| <b>KE</b>   | KA with light & suppression diode   |
| <b>KF</b>   | KA with light & M.O.V.  |
| <b>KJ</b>   | Mini square connector – male only   |
| <b>KK</b>   | KJ with suppression diode   |
| <b>KL</b>   | KJ with M.O.V.  |
| <b>KM</b>   | KA with full wave rectifier   |
| <b>KN</b>   | KA with full wave rectifier & M.O.V.                                      |
| <b>KP</b>   | KA with full wave rectifier & light                                       |
| <b>KR</b>   | KA with full wave rectifier plus light & M.O.V.                           |
| <b>KS</b>   | KJ with full wave rectifier   |

\* Blocking diode is located in the lead wire



---

**Codification table for voltages / Manual operators / Electrical connections**

---

VALVE CODE >

**J XX X-X XX**  
**1 2 3 4**

**OPTIONS AVAILABLE FOR**

- Solenoid valves 36, 46, ISO 01 and ISO 02 Series

---

**1. VOLTAGE**

| J-XX X-X XX | VOLTAGE       |
|-------------|---------------|
| AA          | 120VAC (5.4W) |
| AC          | 24VAC (5.4W)  |
| DE          | 24VDC (1.8W)  |
| DF          | 12VDC (1.8W)  |
| DJ          | 24VDC (1.3W)  |
| DL          | 12VDC (1.3W)  |
| DR          | 12VDC (1.0W)* |
| DU          | 24VDC (1.0W)* |

\* Not available on 36 series universal valve

**2. WIRE LENGTH**

| J-XX X-X XX | WIRE LENGTH                                  |
|-------------|--|
| A           | 18" coil leads                               |
| B           | 24" coil leads                               |
| C           | 36" coil leads                               |
| D           | 48" coil leads                               |
| E           | 72" coil leads                               |
| F           | 96" coil leads                               |
| P           | Base plug-in                                 |
| O           | No leads (use with J, K & L type connectors) |

**3. MANUAL OPERATOR**

| J-XX X-X XX | MANUAL OPERATOR      |
|-------------|----------------------|
| 0           | No operator          |
| 1           | Non-locking recessed |
| 2           | Locking recessed     |
| 3           | Non-locking extended |
| 4           | Locking extended     |

**4. ELECTRICAL CONNECTION**

| J-XX X-X XX | CONNECTORS FOR NON PLUG-IN VALVES<br>ELECTRICAL CONNECTION    |
|-------------|---|
| BA          | Flying leads  |
| GA          | MAC JAC solenoid plug-in                                      |
| GB          | MAC JAC solenoid plug-in with diode                           |
| GC          | MAC JAC solenoid plug-in with MOV                             |
| GD          | MAC JAC solenoid plug-in with light                           |
| GE          | MAC JAC solenoid plug-in with diode and light                 |
| GF          | MAC JAC solenoid plug-in with MOV and light                   |
| GG          | MAC JAC solenoid plug-in with rectifier                       |
| GH          | MAC JAC solenoid plug-in with rectifier and light             |
| GJ          | MAC JAC solenoid plug-in - Male only                          |
| GK          | MAC JAC solenoid plug-in with diode - Male only               |
| GL          | MAC JAC solenoid plug-in with MOV - Male only                 |
| GM          | MAC JAC solenoid plug-in with light - Male only               |
| GN          | MAC JAC solenoid plug-in with diode and light - Male only     |
| GP          | MAC JAC solenoid plug-in with MOV and light - Male only       |
| GR          | MAC JAC solenoid plug-in with rectifier - Male only           |
| GS          | MAC JAC solenoid plug-in with rectifier and light - Male only |
| *JA         | Square Connector  |
| *JC         | Square Connector with light                                   |
| *JE         | Square Connector with diode                                   |
| *JF         | Square Connector with MOV                                     |
| *JG         | Square Connector with diode/light                             |
| *JH         | Square Connector with MOV/light                               |
| *JK         | Square Connector with Rectifier                               |

**J-XX X-X XX**

|     |   |
|-----|---|
| *JL | Square Connector with Rectifier with light      |
| *JJ | Square Connector Male only (Plain)              |
| *JB | Rectangular Connector                           |
| *JD | Rectangular Connector with light                |
| *JN | Rectangular Connector with diode                |
| *JP | Rectangular Connector with MOV                  |
| *JR | Rectangular Connector with diode/light          |
| *JS | Rectangular Connector with MOV/light            |
| *JT | Rectangular Connector with Rectifier            |
| *JU | Rectangular Connector with Rectifier with light |
| *JM | Rectangular Connector Male only (Plain)         |

\* Not available on manifold or stacking valves

**CONNECTORS FOR NON PLUG-IN VALVES**

| J-XX X-X XX | MINI SQUARE PLUG-IN CONNECTORS<br>9.4 MM SPACING BETWEEN PINS |
|-------------|---|
| KA          | Mini plug-in  |
| KB          | Mini plug-in with diode                                       |
| KC          | Mini plug-in with MOV   |
| KD          | Mini plug-in with light                                       |
| KE          | Mini plug-in with diode and light                             |
| KF          | Mini plug-in with MOV and light                               |
| KG          | Mini plug-in with rectifier                                   |
| KH          | Mini plug-in with rectifier and light                         |
| KJ          | Mini plug-in - Male only                                      |
| KK          | Mini plug-in with diode - Male only                           |
| KL          | Mini plug-in with MOV - Male only                             |
| KM          | Mini plug-in with light - Male only                           |
| KN          | Mini plug-in with diode and light - Male only                 |
| KP          | Mini plug-in with MOV and light - Male only                   |
| KR          | Mini plug-in with rectifier - Male only                       |
| KS          | Mini plug-in with rectifier and light - Male only             |

**CONNECTORS FOR NON PLUG-IN VALVES**

| J-XX X-X XX | MINI SQUARE PLUG-IN CONNECTORS<br>8.0 MM SPACING BETWEEN PINS<br>ISO SPECIFICATION 15217 |
|-------------|--|
| LA          | Mini plug-in   |
| LB          | Mini plug-in with diode  |
| LC          | Mini plug-in with MOV  |
| LD          | Mini plug-in with light  |
| LE          | Mini plug-in with diode and light  |
| LF          | Mini plug-in with MOV and light  |
| LG          | Mini plug-in with rectifier  |
| LH          | Mini plug-in with rectifier and light  |
| LJ          | Mini plug-in - Male only   |
| LK          | Mini plug-in with diode - Male only  |
| LL          | Mini plug-in with MOV - Male only  |
| LM          | Mini plug-in with light - Male only  |
| LN          | Mini plug-in with diode and light - Male only  |
| LP          | Mini plug-in with MOV and light - Male only  |
| LR          | Mini plug-in with rectifier - Male only  |
| LS          | Mini plug-in with rectifier and light - Male only  |

**J-XX X-X XX**

| J-XX X-X XX | CONNECTORS FOR PLUG-IN VALVES         |
|-------------|---------------------------------------|
| FA          | Base plug-in                          |
| FB          | Base plug-in with diode               |
| FC          | Base plug-in with MOV                 |
| FD          | Base plug-in with light               |
| FE          | Base plug-in with diode and light     |
| FF          | Base plug-in with MOV and light       |
| FG          | Base plug-in with rectifier           |
| FH          | Base plug-in with rectifier and light |



---

**Codification table for voltages / Manual operators / Electrical connections**

---

VALVE CODE > **L XX X-X XX**  
**1 2 3 4**

**OPTIONS AVAILABLE FOR**

- Solenoid valves 32, 38, 42, 44, 47 & 48 Series

---

| 1. VOLTAGE (32, 38, 42, 44, 48 SERIES) |               | 1. VOLTAGE (47 SERIES) |              |
|--|---------------|------------------------|--------------|
| L-XX X-X XX                            | VOLTAGE       | L-XX X-X XX            | VOLTAGE      |
| DF                                     | 24VDC (4.0W)  | DA                     | 24VDC (5.2W) |
| DN                                     | 12VDC (4.0W)  | DF                     | 12VDC (5.2W) |
| HA                                     | 24VDC (1.95W) |                        |              |
| HE                                     | 12VDC (1.95W) |                        |              |

| 2. WIRE LENGTH (all series) |              |
|-----------------------------|--------------|
| L-XX X-X XX                 | WIRE LENGTH  |
| O                           | No lead wire |
| A                           | 18"          |
| B                           | 24"          |
| C                           | 36"          |
| D                           | 48"          |
| E                           | 72"          |
| F                           | 96"          |
| G                           | 120"         |
| H                           | 144"         |

| 3. MANUAL OPERATOR (all series) |                 |
|---------------------------------|-----------------|
| L-XX X-X XX                     | MANUAL OPERATOR |
| O                               | No operator     |

| 4. ELECTRICAL CONNECTOR (32, 38, 42, 44 & 48 series) |  |
|--|--|
| L-XX X-X XX  | NON PLUG-IN  |
| BA   | 2 wire flying leads                                |
| BB   | 2 wire flying leads with ground wire               |
| BC   | 2 wire flying leads with light                     |
| BD   | 2 wire flying leads with light & ground wire       |
| BJ   | 4 wire flying leads                                |
| BK   | 4 wire flying leads with ground                    |
| BL   | 4 wire flying leads with light                     |
| BM   | 4 wire flying leads with light & ground wire       |
| KA   | 2 wire plug-in assembly                            |
| KB   | 2 wire plug-in assembly with ground wire           |
| KC   | 2 wire plug-in assembly with light                 |
| KD   | 2 wire plug-in assembly with light and ground wire |
| KE   | 4 wire plug-in assembly                            |
| KF   | 4 wire plug-in assembly with ground wire           |
| KG   | 4 wire plug-in assembly with light                 |
| KH   | 4 wire plug-in assembly and ground wire            |
| LA   | 3 wire plug-in assembly (polarity switching cover) |

| L-XX X-X XX | PLUG-IN                                       |
|-------------|---|
| *DA         | Base plug-in                                  |
| *DB         | Base plug-in with ground pin                  |
| *DC         | Base plug-in with light                       |
| *DD         | Base plug-in with light & ground pin          |
| **EA        | Base plug-in 3 pin (Polarity switching cover) |

| 4. ELECTRICAL CONNECTOR (47 series) |  |
|-------------------------------------|--|
| L-XX X-X XX                         | NON PLUG-IN  |
| BA                                  | 2 wire flying leads                                |
| BB                                  | 2 wire flying leads with ground wire               |
| BC                                  | 2 wire flying leads with light                     |
| BD                                  | 2 wire flying leads with light & ground wire       |
| BJ                                  | 4 wire flying leads                                |
| BK                                  | 4 wire flying leads with ground                    |
| BL                                  | 4 wire flying leads with light                     |
| BM                                  | 4 wire flying leads with light & ground wire       |
| LA                                  | 3 wire plug-in assembly (Polarity switching cover) |
| MA                                  | 2 wire plug-in assembly                            |
| MB                                  | 2 wire plug-in assembly with ground wire           |
| MC                                  | 2 wire plug-in assembly with light                 |
| MD                                  | 2 wire plug-in assembly with light and ground wire |
| ME                                  | 4 wire plug-in assembly                            |
| MF                                  | 4 wire plug-in assembly with ground wire           |
| MG                                  | 4 wire plug-in assembly with light                 |
| MH                                  | 4 wire plug-in assembly with light and ground wire |

| L-XX X-X XX | PLUG-IN                                       |
|-------------|---|
| EA          | Base plug-in 3 pin (Polarity switching cover) |
| FA          | Base plug-in with ground                      |
| FB          | Base plug-in with ground & light              |
| FC          | Base plug-in 4 wire with ground               |
| FD          | Base plug-in 4 wire with light & ground       |

\* Use these options for plug-in base with 2 or 4 wire assemblies

\*\* Use this option for plug-in bases with 3 wire assemblies





---

**Codification table for voltages / Manual operators / Electrical connections**

---

VALVE CODE >

**R XX X-X XX**  
**1 2 3 4**

**OPTIONS AVAILABLE FOR**

- Solenoid valves 33 Series

---

### 1. VOLTAGE

| R-XX X-X XX | VOLTAGE       |
|-------------|---------------|
| DA          | 24 VDC (0.5W) |
| DB          | 24 VDC (1.0W) |
| DC          | 24 VDC (1.8W) |
| DD          | 24 VDC (2.5W) |
| DE          | 24 VDC (3.0W) |
| DF          | 24 VDC (4.0W) |
| DG          | 12 VDC (0.5W) |
| DH          | 12 VDC (1.0W) |
| DJ          | 12 VDC (1.8W) |
| DK          | 12 VDC (2.5W) |
| DL          | 12 VDC (3.0W) |
| DM          | 12 VDC (4.0W) |
| EA*         | 24 VDC (60W)  |
| EB*         | 24 VDC (90W)  |
| EC*         | 24 VDC (230W) |

### 2. WIRE LENGTH (all series)

| R-XX X-X XX | WIRE LENGTH  |
|-------------|--------------|
| 0**         | No lead wire |
| A           | 18"          |
| B           | 24"          |
| C           | 36"          |
| D           | 48"          |
| E           | 72"          |
| F           | 96"          |
| G           | 120"         |
| H           | 144"         |

### 3. MANUAL OPERATOR

| R-XX X-X XX | MANUAL OPERATOR      |
|-------------|----------------------|
| 0           | No operator          |
| 1           | Non-locking recessed |
| 3           | Non-locking extended |

### 4. ELECTRICAL CONNECTOR

| R-XX X-X XX | NON PLUG-IN                                |
|-------------|--|
| BA          | Flying leads                               |
| BB          | Flying leads with LED                      |
| BC          | Flying leads with MOV                      |
| BD          | Flying leads with LED and MOV              |
| RA          | Mini JAC solenoid plug-in                  |
| RB          | Mini JAC solenoid plug-in with LED         |
| RC          | Mini JAC solenoid plug-in with MOV         |
| RD          | Mini JAC solenoid plug-in with LED and MOV |
| TA          | JST solenoid plug-in                       |
| TB          | JST solenoid plug-in with LED              |
| TC          | JST solenoid plug-in with MOV              |
| TD          | JST solenoid plug-in with LED and MOV      |

\*MOD numbers required for these voltages (consult factory) \*\* Not available for flying leads connector



## Section 7

## Supplemental technical information

---

## MAC's PATENTED LATCHING SOLENOID – Eliminates one Solenoid, Simplifies Wiring, Reduces Package Size

MAC's latching solenoid technology provides the function of a double solenoid operated valve utilizing only one solenoid.

Typical 2 position direct operated double solenoid valves use two solenoids with spool/bore technology. When the power is removed from either solenoid, the spool position and valve function is maintained.

With direct acting solenoid valves, poppets with their inherent short strokes are not typically used as they cannot maintain sealing position when both solenoids are deenergized. As a consequence, longer stroking spool type solenoid valves are used which results in lower shifting forces. MAC's latching solenoid technology eliminates the sealing issue with poppets when no electrical signal is applied, by maintaining solenoid force, ensuring adequate sealing, while using short stroking poppets resulting in high shifting forces.

MAC's latching solenoid only requires one solenoid and correspondingly one plug-in and one conduit wireway versus two for conventional double solenoid valve, saving space, weight and cost. An added benefit of a latching solenoid valve when mounted on a circuit bar is the additional option of side cylinder ports.

### HOW IT WORKS

Unlike a spool and bore valve, a poppet valve requires that a force be continuously applied to either end of the poppet to ensure that proper sealing occurs. If another solenoid was simply added to the valve to create a double solenoid valve, power would need to be constantly applied to either solenoid for the valve to function properly (see Figure 1). If the poppet valve is converted to a spool and bore type valve design, the longer stroke of the spool and solenoid would result in lower net shifting forces (see Figure 2), compromising the valves shifting reliability.

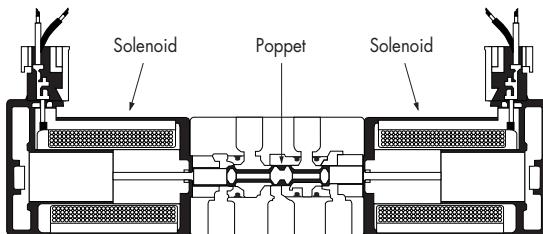


Figure 1 : Double Solenoid Poppet

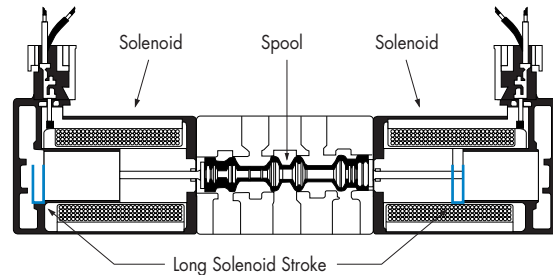


Figure 2 : Double Solenoid Spool Design

The latching solenoid overcomes these problems by introducing a powerful permanent magnet armature assembly which magnetically latches itself to the pole piece and in turn keeps the poppet sealed against the conical seats when the power is removed from the solenoid. To shift the poppet in the opposite direction, the polarity of the voltage applied to the solenoid leads is reversed and the attractive force between the permanent magnet armature assembly and the pole piece is reduced. The return spring in the valve then shifts the poppet to its other sealing position and the permanent magnet armature assembly is then magnetically attracted to the upper latch. The upper latch prevents the permanent magnet armature assembly from attracting itself back to the pole piece when the voltage is removed. Reversing the polarity again to the solenoid lead wires will create a powerful attractive force between the permanent magnet armature assembly and the pole piece and away from the upper latch which will correspondingly move the poppet to the other shifted position.

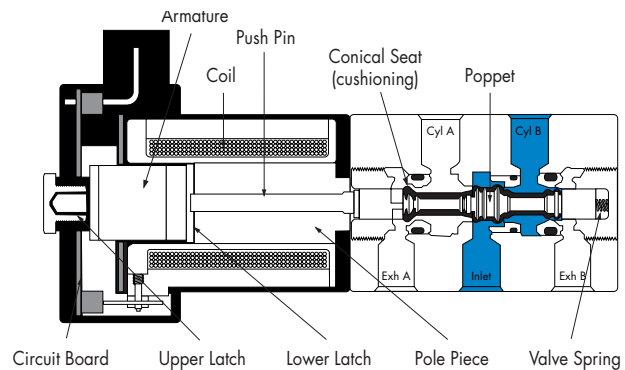


Figure 3 : Latching Solenoid Design

## WIRING INSTRUCTIONS AND OPTIONS

As shown in Figure 4, a conventional double solenoid valve requires that the pair of lead wires from each solenoid be wired to an appropriate voltage source, MAC's latching solenoid technology has the option of being wired in one of the three (3) currently available methods.

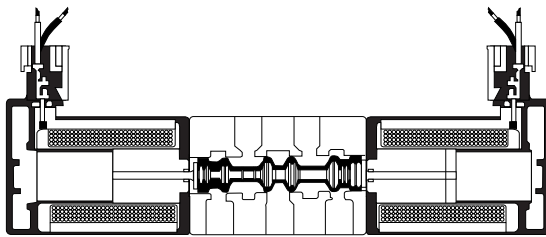
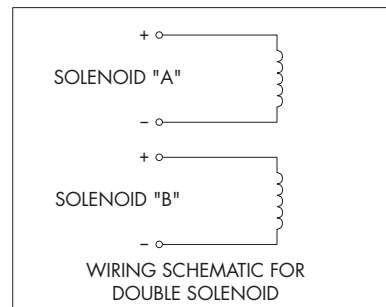


Figure 4 : Conventional Double Solenoid



### FOUR WIRE

As shown in Figure 5, the four wire method enables the coil to be wired as if it were a conventional double solenoid. By connecting the yellow lead wire to positive voltage and the yellow lead wire with black stripe to negative, the valve will be open to cylinder port "A". When positive voltage is supplied to the red lead wire and negative to the red lead with a black stripe, the valve will now be open to cylinder port "B". Since the negative red and yellow lead wires are internally connected together, the supply voltage for each pair of yellow and red lead wires must be isolated from the other pair (see diagram). Also, power must not be applied to all four leads simultaneously or a short circuit condition will occur possibly damaging the voltage source.

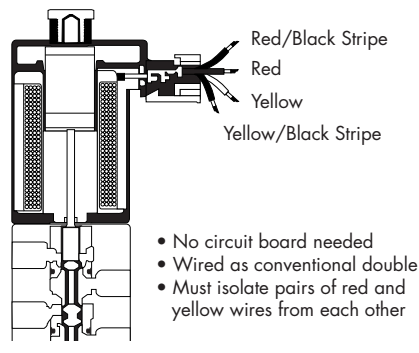
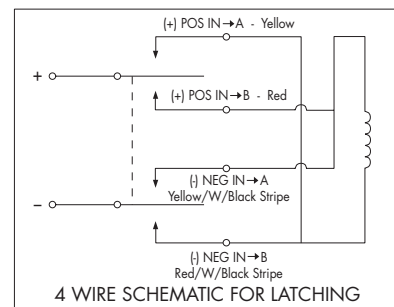


Figure 5 : Four Wire Latching



### THREE WIRE

Unlike the two wire method ( see Figure 7) which requires the user to provide the polarity switching circuitry, the three wire method incorporates the polarity switching circuitry within the solenoid enclosure ( see Figure 6). The black lead wire provided must be connected to positive and is used as a common. When negative voltage is supplied to the yellow lead wire with a black stripe the valve will be open to cylinder port "A". When the negative voltage is removed from the yellow lead wire with the black stripe and supplied to the red lead wire with a black stripe, the valve will now be open to cylinder port "B". Applying voltage to all three wires simultaneously or with the wrong polarity will cause permanent damage to the switching circuitry in the solenoid cover, and the valve won't work.

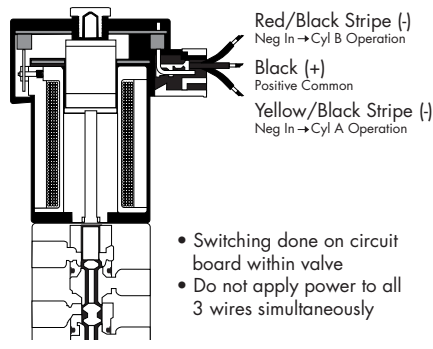
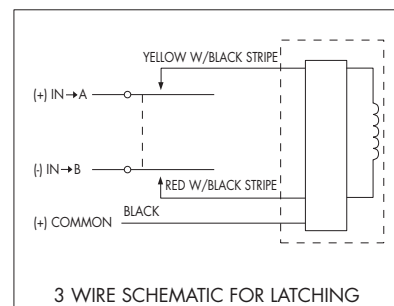


Figure 6 : Three Wire Latching



## TWO WIRE

The two wire method shown in Figure 7, provides a black and red lead wire connected to the solenoid. The user must provide the polarity switching circuitry to these leads in order to shift the valve to its two positions. By applying positive DC voltage to the red lead wire and negative to the black, the valve will be open to cylinder port "A". When the polarity of the voltage is externally reversed to the lead wires the valve will now become open to cylinder port "B".

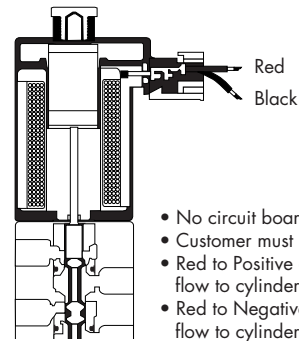


Figure 7 : Two Wire Latching

- No circuit board needed
- Customer must switch polarity of voltage
- Red to Positive and Black to Negative yields flow to cylinder port A
- Red to Negative and Black to Positive yields flow to cylinder port B

---

## AVAILABLE OPTIONS

The 2 and 4 wire connections are available in both a flying lead and plug-in cover. The 3 wire connection is only available in the plug-in style cover. All 2 and 4 wire cover options are available with an LED indicator. The LED indicator on a 3 wire cover is standard. The LED will illuminate red for cylinder "A" operation and green for cylinder "B" operation.

The 3 wire connection must be used for valves connected to either a multi-pin connector or a serial manifold. Mixing single solenoids with latching solenoids on a circuit bar is possible since each station of the bar is wired for a latching coil. The circuit bar must be ordered with this wiring configuration. If required, a negative common 3 wire connection is also available, please consult factory.

---

## HOW TO ORDER

The numbering system for a latching solenoid differs from the numbering system for a single solenoid valve. The letter "L" within the model number indicates a latching solenoid, while the letter "G" or "H" in the same position of the model number indicates a single solenoid valve.

## PRECAUTIONS AND WARNINGS CONCERNING THE APPLICATION, INSTALLATION AND SERVICE OF MAC VALVES AND OTHER MAC VALVES PRODUCTS

The warnings and precautions below are important to be read and understood before designing into a system any MAC Valves products, and before installing or servicing any MAC Valves product. Improper use, installation or servicing of any MAC Valves product in some systems could create a hazard to personnel or equipment. No distinction in importance should be made between the terms warnings and precautions.

### WARNING :

Under no circumstances are MAC Valves products to be used in any application or in any manner where failure of the MAC Valves product to operate as intended could in any way jeopardize the safety of the operator or any other person or property.

- Do not operate outside of pressure range listed on a valve label or outside of the designated temperature range.
- Air supply must be clean and dry. Moisture or contamination can affect proper operation of the valve.
- Before attempting to repair, adjust or clean a MAC Valves product, consult catalog, parts & operation sheet, or factory for proper maintenance procedures, lubrication and cleaning agents. Never attempt to repair or perform other maintenance with air pressure to the valve.
- If air line lubrication is used do not use any lubrication other than those recommended in the catalog, parts & operation sheet or by the factory.

### APPLICATION PRECAUTIONS :

#### INDUSTRIAL USE -

- MAC Valve products are intended for general use in industrial pneumatic and/or vacuum systems. They are general purpose industrial products with literally thousands of different applications in industrial systems. These products are not inherently dangerous, but they are only a component of an overall system. The system in which they are used must provide adequate safeguards to prevent injury or damage in the event failure occurs, whether it be failure of switches, regulators, cylinders, valves or any other component.

#### POWER PRESSES -

MAC Valve products are not designed nor intended to be used to operate and/or control the operation of clutch and/or brake systems on power presses. There are special products on the market for such use.

#### 2-POSITION VALVES -

Some MAC valves are 2-position, 4-way valves. When air is supplied to the inlet port(s) of these valves, there will always be a flow path from the inlet to one of the outlets regardless of which of the two positions the valve is situated. Therefore, if pressurized air retained in the system would present a hazard in the application or servicing of the valve or system, a separate method in the system must be provided to remove the trapped air.

#### 3- POSITION VALVES-

Some MAC valves are 3-position, 4-way valves. These valves are either double solenoid or double remote air operated.

If either of the two operators is in control, air supplied to the inlet port(s) will pass through the valve to one of the outlets as on 2-position, 4-way valves. However, if neither operator is in control, the valve moves to a center position. Listed below are the various center position functions :

#### A. CLOSED CENTER-

With this type valve, when in the center position all ports are blocked (inlets and exhausts) meaning the air at both outlet ports is trapped. If trapping the air in both outlet ports would present a hazard in the application or servicing, a separate method in the system must be provided to remove the trapped air or this type valve should not be used.

#### B. OPEN CENTER-

With this type valve, when in the center position, the inlet port(s) is blocked and the two outlet ports are open to the exhaust port(s) of the valve. If having no air in either outlet port would present a hazard in the application or servicing, this type valve should not be used.

#### C. PRESSURE CENTER-

With this type valve, when in the center position, the inlet port(s) is connected to both outlet ports of the valve. If having pressurized air to either or both outlet ports would present a hazard in the application or servicing of the valve or system, a separate method in the system must be provided to remove the retained air or this type valve should not be used.

#### OPERATING SPECIFICATIONS -

MAC Valves products are to be installed only on applications that meet all operating specifications described in the MAC catalog for the MAC Valves product.

#### MANUAL OPERATORS-

Most MAC valves can be ordered with manual operators. Manual operators when depressed, are designed to shift the valve to the same position as would the corresponding solenoid or remote air pilot operator if it were activated. Care must be taken to order a type, if any, that will be safe for the physical location of the manual operator in the system. If intentional or accidental operation of a valve by a manual operator could cause personal injury or property damage, a manual operator should not be used.

#### REMOTE AIR OPERATED VALVES

Pilot valves supplying signal pressure to remote air operated valves should be 3-way valves with adequate supply and exhaust capacity to provide positive pressurizing and exhausting of the pilot supply line. Pilot lines should be open to exhaust when valves are deenergized.

#### INSTALLATION PRECAUTIONS :

- Do not install any MAC Valves product without first turning off air (bleed system completely) and electricity to the machine.
- MAC Valves products should only be installed by qualified, knowledgeable personnel who understand how the specific valve is to be pneumatically piped and electrically connected (where applicable). Flow paths through the valve are shown in the catalog and on the valve by use of ANSI or ISO type standard graphic symbols. Do not install unless these symbols and the valve functions and operations are thoroughly understood.
- If air line lubrication is used do not use any lubrication other than those recommended in the catalog, parts & operation sheet or by the factory.

#### SERVICE PRECAUTIONS :

- Do not service or remove from service any MAC Valves product without first shutting off both the air and electricity to the valve and making certain no pressurized air which could present a hazard is retained in the system.
- MAC Valves products should only be serviced or removed from service by qualified, knowledgeable personnel who understand how the specific product is used and/or how the specific valve is piped and used and whether there is air retained in the connecting lines to the valve or electric power still connected to the valve.
- Before attempting to repair, adjust or clean a MAC Valves product, consult catalog, parts & operation sheet, or factory for proper maintenance procedures, lubrication and cleaning agents. Never attempt to repair or perform other maintenance with air pressure to the valve.
- MAC Valves products are never to be stepped on while working on a machine. Damage to a MAC valve, or other product or lines to the product (either air or electrical lines) or accidental activation of a manual operator on the valve could result in personal injury or property damage.



# MAC Valves Product Warranty Information

---

## MAC VALVES Warranty, Warranty Limitations, Flat Rate Rebuild Program

---

The MAC Valves organization has established a reputation over many years for fulfilling the needs and requirements of the users of its products. All MAC Valves are quality products specifically designed and built for long and rugged service. For this reason, MAC Valves is able to provide the Buyer a limited warranty.

### WARRANTY:

MAC Valves, Inc. hereby warrants to Buyer that, for a period of 18 months from the original date of shipment of each valve from our factory ("Warranty Period"), such valve will be free from significant defects in material and workmanship and will conform to all specifications agreed to by MAC Valves, Inc.. In addition, MAC Valves, Inc. warrants that the electrical coils on such valves will be free from significant defects in material and workmanship for their normal useful life. EXCEPT FOR THESE LIMITED WARRANTIES, MAC VALVES, INC. EXPRESSLY DISCLAIMS ALL REPRESENTATIONS AND WARRANTIES OF ANY KIND (WHETHER EXPRESS, IMPLIED OR ARISING BY OPERATION OF LAW) WITH RESPECT TO THE VALVES, INCLUDING, WITHOUT LIMITATION, ANY WARRANTIES OR REPRESENTATIONS AS TO MERCHANTABILITY, FITNESS FOR A PARTICULAR PURPOSE OR ANY OTHER MATTER. THIS SECTION SURVIVES THE EXPIRATION, TERMINATION OR CANCELLATION OF ANY AGREEMENTS BETWEEN THE PARTIES RELATING TO THE PURCHASE OF THE VALVES.

### WARRANTY LIMITATIONS:

This Warranty does not apply where the valves have been (i) subjected to abuse, misuse, damage, neglect, negligence, accident, improper testing, improper installation, improper storage, improper handling, abnormal physical stress, abnormal environmental condition, or use contrary to any instructions issued by MAC Valves, Inc.; (ii) modified, reconstructed, repaired, or altered by persons other than MAC Valves, Inc. or its authorized representative; or (iii) used with any third-party product, hardware, software or other product that has not been previously approved in writing by MAC Valves, Inc. Additionally, this Warranty does not cover claims for labor, material, time or transportation, and does not apply to loss or damage caused by fire, theft, riot, explosion, labor dispute, act of God, or other causes beyond the control of MAC Valves, Inc.

### EXCLUSIVE REMEDY:

The Buyer's sole remedy under this Warranty is limited to the replacement or rebuilding of any valve which does not conform to the warranties provided herein or, in MAC Valves, Inc.'s sole discretion, refund of the purchase price for the non-conforming valve. Buyer's remedy is conditioned on Buyer's compliance with its obligations under this Warranty. Valves that Buyer believes do not conform to this Warranty must be returned (with or without bases) transportation prepaid and received at our factory within the Warranty Period. If MAC Valves, Inc. determines that the valve is non-conforming and is otherwise covered by this Warranty, the rebuilt or replaced valve will be returned to the customer at the expense of MAC Valves, Inc., and will carry the same warranties as provided under the Flat Rate Rebuild Program described below. MAC VALVES, INC. WILL NOT BE RESPONSIBLE FOR ANY INCIDENTAL, SPECIAL, EXEMPLARY OR CONSEQUENTIAL DAMAGES, INCLUDING WITHOUT LIMITATION DIRECT AND INDIRECT LOST PROFITS, REGARDLESS OF WHETHER THOSE DAMAGES WERE FORESEEABLE.

### THE FLAT REBUILD PROGRAM:

Valves no longer covered by the MAC Warranty may be eligible for a one-time rebuild under the MAC Valves, Inc. Flat Rate Rebuild Program. Our constant research and testing program is dedicated to extending the life of our valves and maximizing their reliability under the most adverse conditions. Valves returned under this limited program are completely disassembled, inspected, rebuilt to current operating standards whenever possible, tested and returned within a few weeks for a nominal flat rate charge. All rebuilt valves carry the same warranty described (in our MAC Warranty) for new valves for a warranty period of 90 days from the date of shipment from our factory.

Valves that have gone through the one-time rebuild will have been marked with a letter "R" as part of the date stamp (This is an example of a rebuild date stamp from this month E(May)17(Year)Tester Symbol R(Indicates Rebuild)).



Please note that any valves sent back for subsequent rebuild that have already been through the program previously (indicated by the "R") will not be eligible for additional rebuild.





---

**Notes**

---

A series of horizontal dotted lines for taking notes, spanning the width of the page.

®  
**MAC**

V A L V E S

**MAC VALVES, INC.**

P.O. BOX 111  
30569 BECK ROAD  
WIXOM, MI 48393-7011

TEL: 1-800-MAC VLVS  
TEL: 1 (248) 624-7700  
FAX: 1 (248) 624-0549  
E-mail: Mac@macvalves.com  
Web Site: www.macvalves.com

**MAC VALVES EUROPE, INC.**

RUE MARIE CURIE, 12  
B-4431 ANS (LIEGE)  
BELGIUM

TEL: 32 (4) 239 68 68  
FAX: 32 (4) 263 19 42  
E-mail: Info@macvalves.be

**MAC VALVES PACIFIC, INC.**

P.O. BOX 12221  
PENROSE, AUCKLAND  
NEW ZEALAND

TEL: 64 (9) 634-9400  
FAX: 64 (9) 634-9401  
E-mail: Macvalves@xtra.co.nz

**MAC VALVES, INC.**

5555 ANN ARBOR ROAD  
DUNDEE, MICHIGAN (MI) 48131  
U.S.A.

TEL: 1 (734) 529-5099  
FAX: 1 (248) 863-2111

